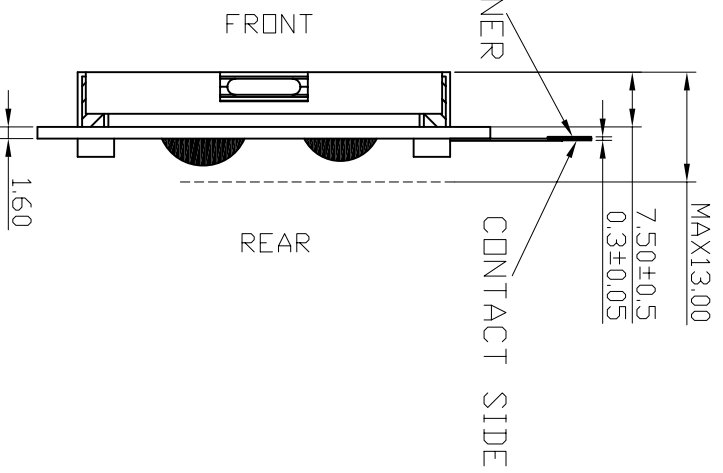
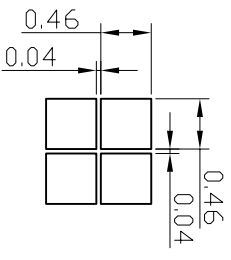
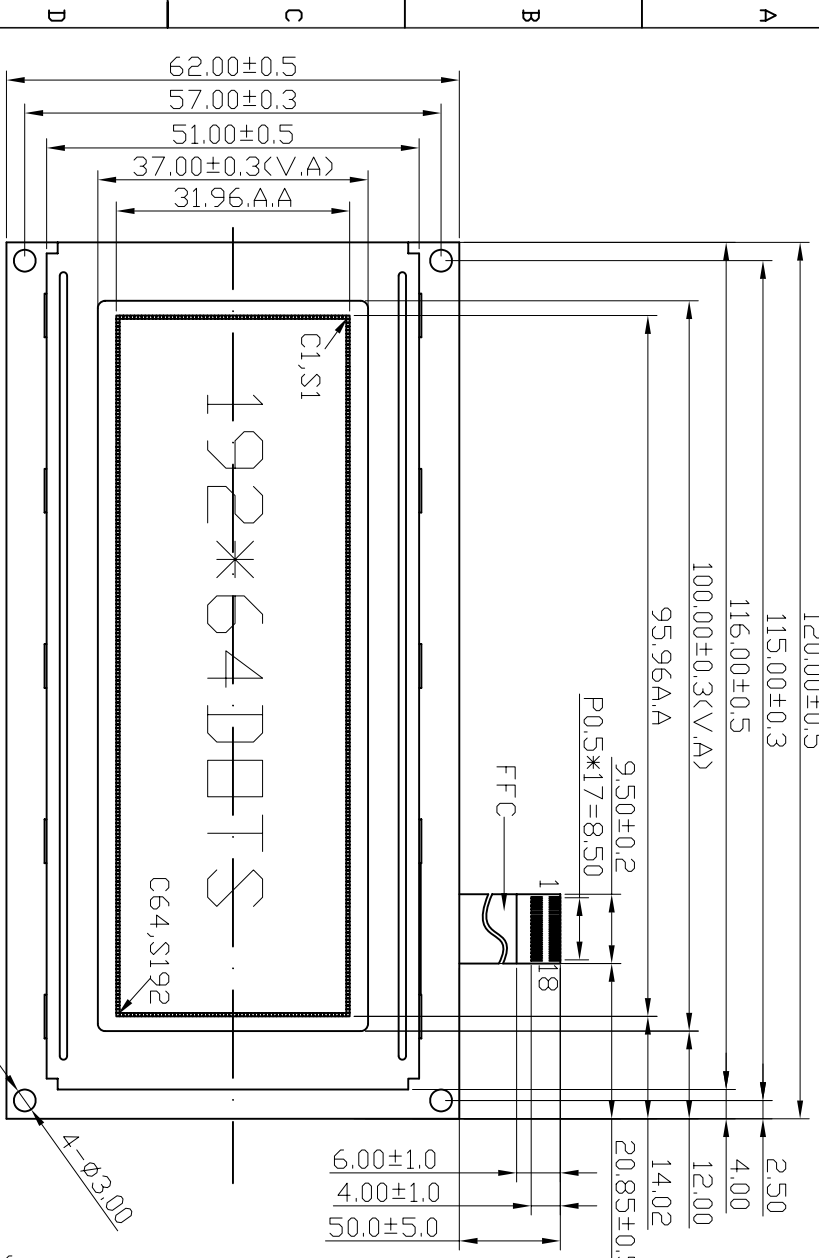


REV.	CHANGE CONTENT	BY	DATE
A	更改显示条件	ZOUYS	06.02.20



PTN	1	2	3	4	5	6	7	8	9	10	11	12	13	14	15	16	17	18
SYMBOL	VSS	VDD	VD	RS	R/V	CEH1	CEH2	DO	D1	D2	D3	D4	D5	D6	D7	RES	AK5(D)	K(OV)

NOTE:

1. DISPLAY TYPE: STN-Y/G-POSITIVE
2. DISPLAY MODE: TRANSPARENT
3. DRIVE METHOD: 1/32 DUTY, 1/4 BIAS, 4.8V Vop, 5V VDD
4. VIEWING DIR.: 6:00
5. OP. TEMP.: -20°C~70°C
6. ST. TEMP.: -30°C~80°C
7. BACKLIGHT: COLOR-Y/G, Vf=5.0±0.2V, If=240mA
8. DRIVER IC: ST7920(2), ST7921(4)



TOLERANCE	>0~6 ±0.10	>6~80 ±0.20	>80~240 ±0.30	>240~400 ±0.50	// L @ ±0.10
HTD DISPLAY CO., LTD.		DESIGN	ZOUYS	06.10.17	STANDARD
HTD DISPLAY CO., LTD.		CHECKED			TECHNOLOGY
HTD DISPLAY CO., LTD.		APPROVED			Q.A
DRAWING No.: HG1966412C-YF62L-VA		FILE NO.:	REV.: A		
DRAWING TITLE: LCM DRAWING		SCALE:	-		
PROJECTION:		UNIT:	mm		
SHEET: 1/1					

