

# Specification

## AX42XX

SSC		Customer
Drawn	Approval	Approval

# Contents

- 1. Description**
- 2. Part number**
- 3. Mechanical dimensions**
- 4. Optical and thermal characteristics**
- 5. Color spectrum, Ta=25°C**
- 6. Radiant pattern, Ta=25°C**
- 7. Relative Flux vs. Junction temperature**
- 8. Color coordinate variation vs. Junction temperature**
- 9. I-V characteristics, Ta=25°C**
- 10. Relative Flux vs. Forward voltage**
- 11. Binning structure graphical representation**
- 12. Operating instructions**
- 13. Recommended solder pad**
- 14. Emitter Reel Packaging**
- 15. Solder profile**
- 16. Precaution for use**

## AX42XX

### Description

Acriche series is designed for AC source operation and high flux output applications.

Acriche is a semi-permanent and environmental semiconductor lighting that can be used in AC without additional device.

Acriche's thermal management perform exceeds other power LED solutions. It incorporates state of the art SMD design and Thermal emission material. Acriche is ideal light sources for general illumination Applications.



### Features

- Connect directly in AC power
- Power Saving
- Long Life Time
- Simple BOM
- Miniaturization
- Low thermal resistance
- SMT solderability
- Lead Free product
- RoHS compliant

### Applications

- Architectural lighting
- Residential lighting
- Task lighting
- Decorative / Pathway lighting





\* The appearance and specifications of the product can be changed for improvement without notice.


**Part number**

**1. Part Number form : A X<sub>1</sub> X<sub>2</sub> X<sub>3</sub> X<sub>4</sub> X<sub>5</sub> - X<sub>6</sub>X<sub>7</sub> - X<sub>8</sub>X<sub>9</sub>X<sub>10</sub>X<sub>11</sub>**

<b>X<sub>1</sub></b>	<b>Color</b>	<b>N</b>	Warm white
<b>X<sub>2</sub></b>	<b>Acriche series</b>	<b>4</b>	A4 series
<b>X<sub>3</sub></b>	<b>Lens type</b>	<b>2</b>	Dome type
<b>X<sub>4</sub></b>	<b>Voltage</b>	<b>0</b>	100V,RMS (PCB)
		<b>1</b>	110V,RMS (PCB)
		<b>2</b>	220V,RMS (PCB)
		<b>3</b>	230V,RMS (PCB)
		<b>4</b>	50,55V,RMS (Emitter)
<b>X<sub>5</sub></b>	<b>PCB type</b>	<b>0</b>	Emitter
		<b>1</b>	4W Compact
		<b>2</b>	4W Square
		<b>3</b>	4W Line
		<b>4</b>	8W Bulb
<b>X<sub>6</sub></b>	-	-	Internal code
<b>X<sub>7</sub></b>	-	-	Internal code
<b>X<sub>8</sub></b>	<b>Brightness bin</b>	-	-
<b>X<sub>9</sub></b>	<b>Color bin</b>	-	-
<b>X<sub>10</sub></b>	<b>Color bin</b>	-	-
<b>X<sub>11</sub></b>	<b>VF bin</b>	-	-

**2. Sticker Diagram on Reel & Aluminum Vinyl Bag**

PART NO. : A X<sub>1</sub> X<sub>2</sub> X<sub>3</sub> X<sub>4</sub> X<sub>5</sub> - X<sub>6</sub> X<sub>7</sub>  
  
 QUANTITY : ###  
  
 LOT NUMBER : #####  
  
 BIN CODE : X<sub>8</sub> X<sub>9</sub> X<sub>10</sub> X<sub>11</sub>  


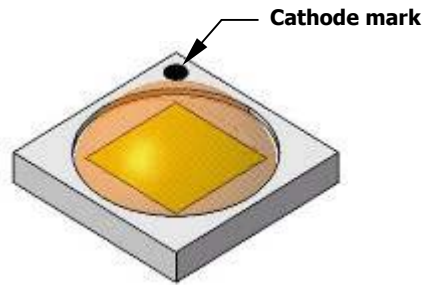
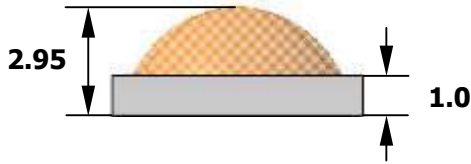
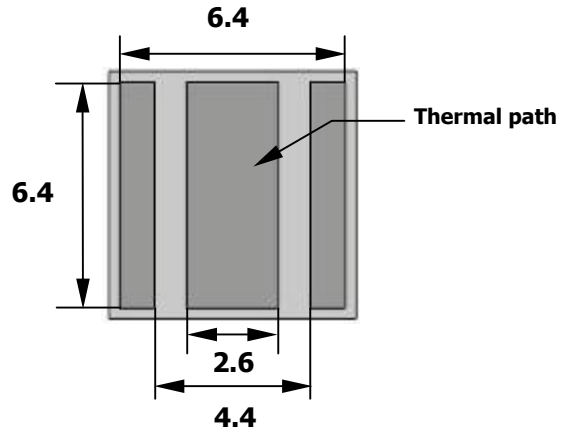
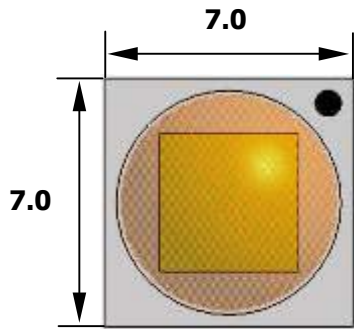


\* For more information about binning and labeling, refer to the AX42XX Bin & Labeling

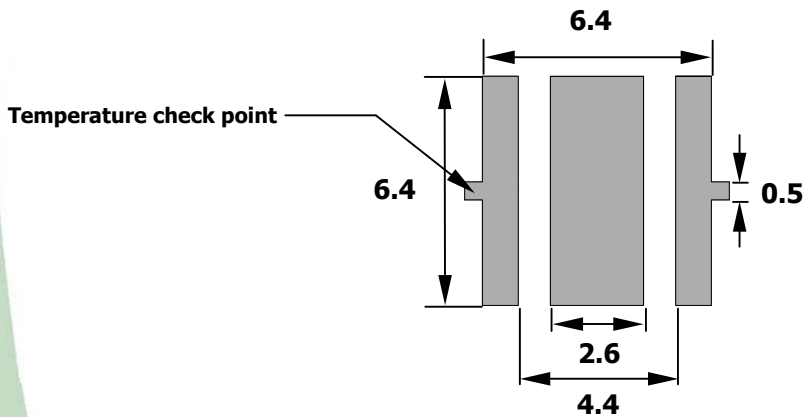
\* For more information about PCB type, refer to the AX42XX module specification

**Mechanical dimensions**

**1. Outline dimensions**



**2. Recommended PCB solder pad**



\* Notes :

- [1] All dimensions are in millimeters. (Tolerance :  $\pm 0.2$ )
- [2] Scale : none
- [3] The appearance and specifications of the product may be changed for improvement without notice
- [4] Electrically neutral thermal path

Rev. 01

September 2009

www.acriche.com

서식번호 : SSC-QP-7-07-25 (Rev.00)

## Optical and thermal characteristics

### 1. Warm white

1-1 Electro-Optical characteristics at 55V[RMS] Ta=25°C

Parameter	Symbol	Value			Unit
		Min	Typ	Max	
Luminous Flux [1]	$\Phi_V$ [2]	-	50	-	lm
Illuminance [3]	$\Phi_I$	-	100	-	lx
Correlated Color Temperature [4]	CCT	-	3000	-	K
CRI	$R_a$	-	85	-	-
Operating Current	$I_{opt}$	-	20	-	mA [RMS]
Power Dissipation	$P_D$	0.76			W
Operating Frequency	Freq	50 / 60			Hz
Thermal resistance	Rth	10			°C/W
View Angle	$2\theta$ 1/2	134			deg.

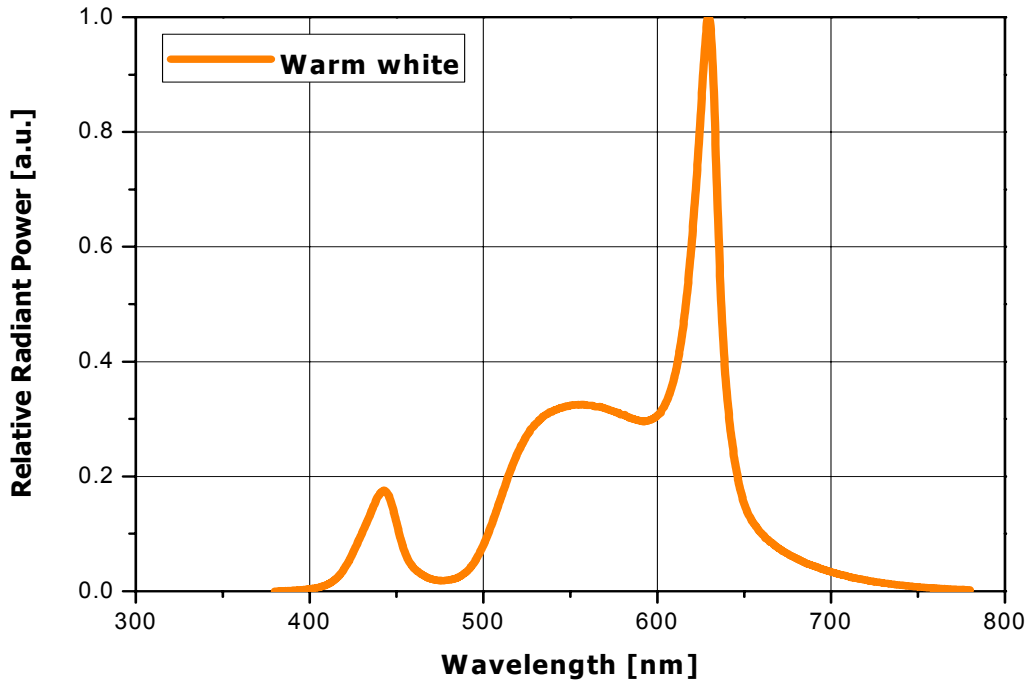
1-2 Absolute Maximum Ratings

Parameter	Symbol	Value	Unit
Operating Voltage	$V_{opt}$ [5]	63	V [RMS]
Power Dissipation	$P_D$	1.4	W
Junction Temperature	$T_j$	125	°C
Operating Temperature	$T_{opr}$	-30 ~ +85	°C
Storage Temperature	$T_{stg}$	-40 ~ +120	°C
ESD Sensitivity	-	±6,000V HBM	-

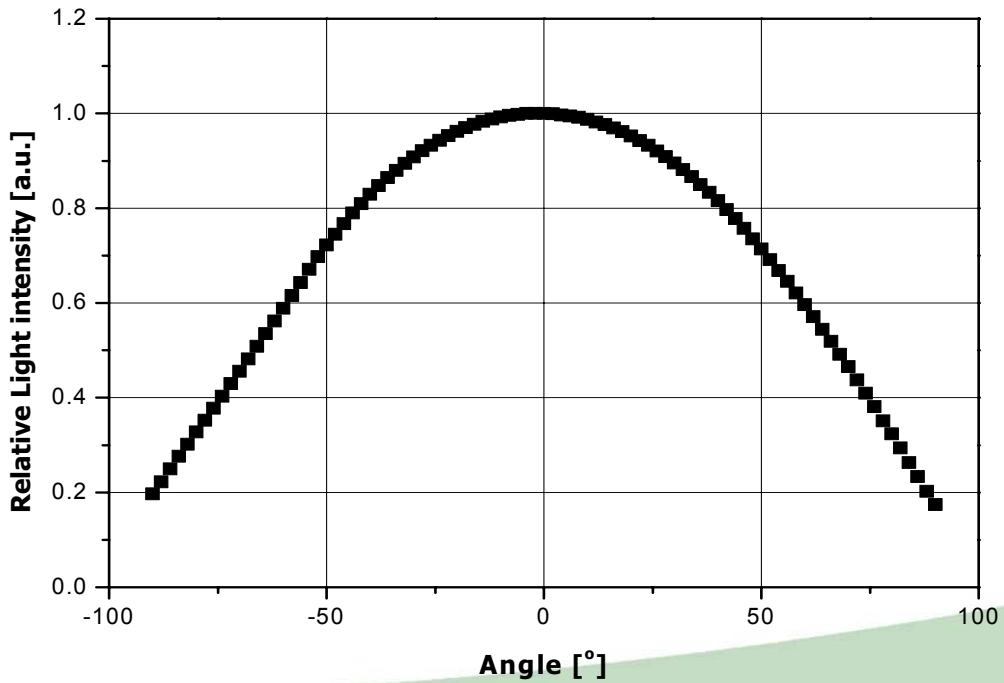
\* Notes :

- [1] Acriche series maintains a tolerance of ±10% on flux and power measurements.
- [2]  $\Phi_V$  is the total luminous flux output as measured with an integrated sphere.
- [3] Illuminance is measured at 50cm distance
- [4] Correlated Color Temperature is derived from the CIE 1931 Chromaticity diagram.  
CCT ±5% tester tolerance
- [5] 'Operating Voltage' doesn't indicate the maximum voltage which customers use, but it means tolerable voltage according to the voltage variation rate by one's country.  
It is recommended that the temperature of solder pad should be below 70°C.

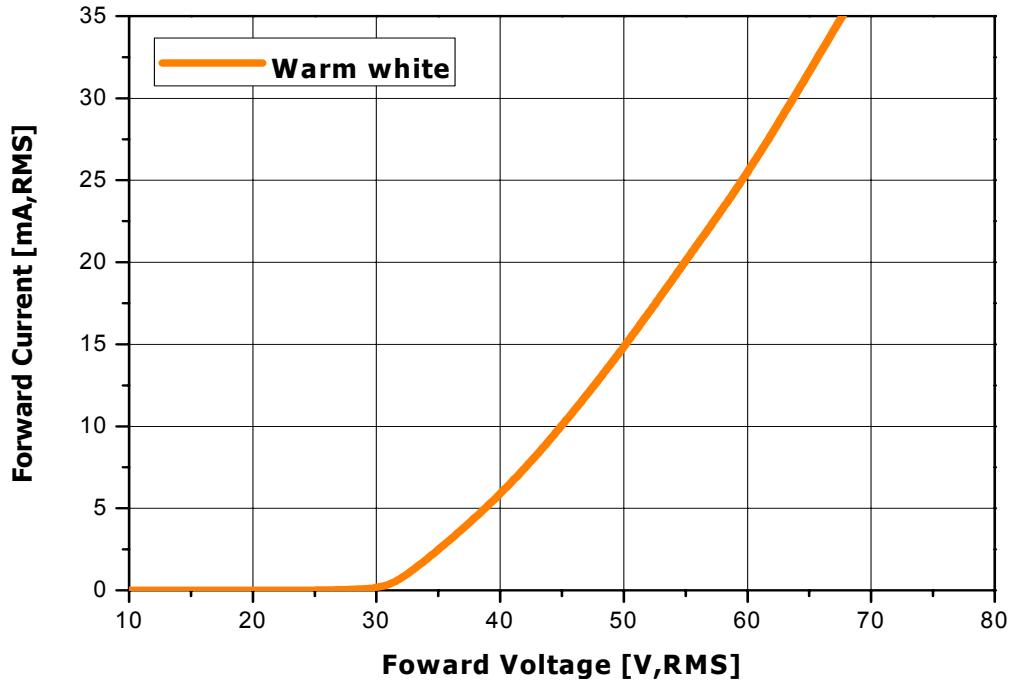
**Color spectrum, Ta=25°C**



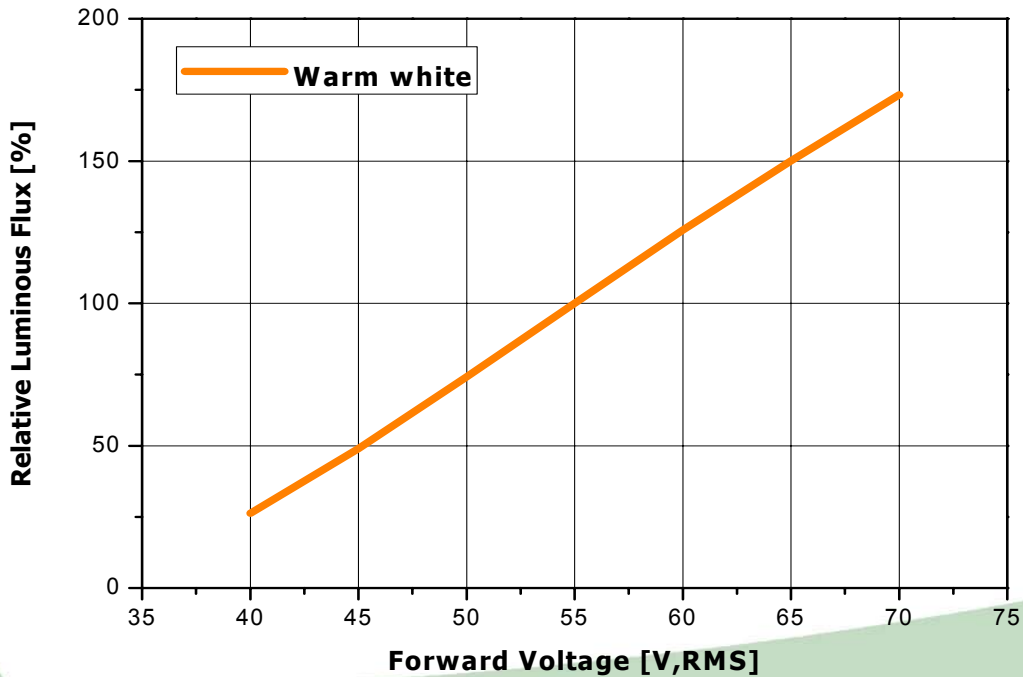
**Radiation pattern, Ta=25°C**



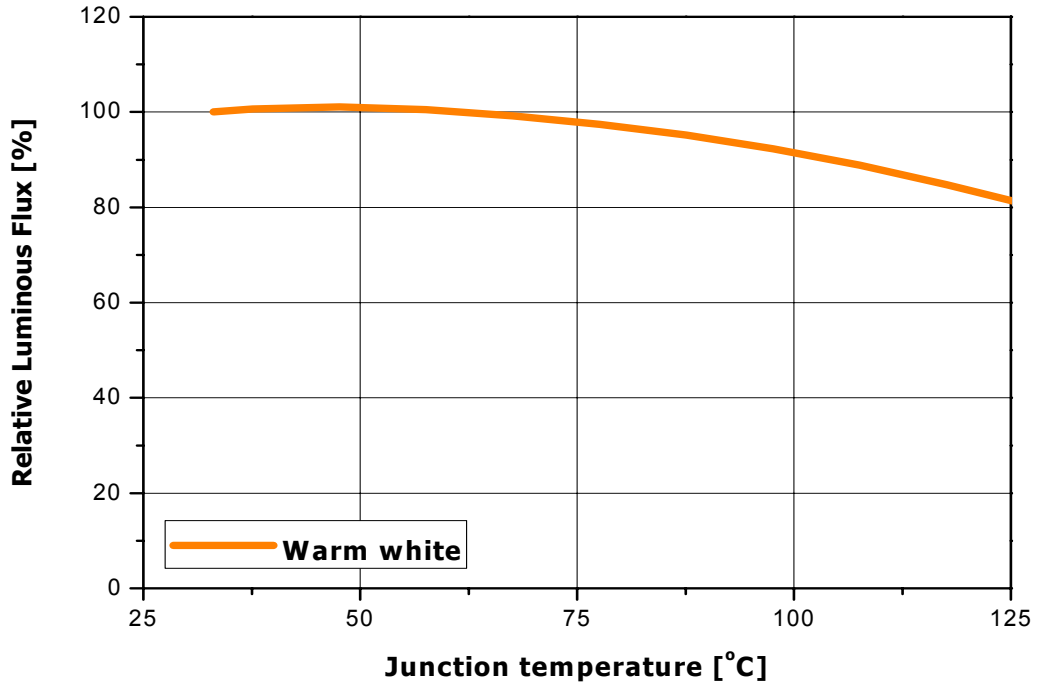
**IV characteristics, Ta=25°C**



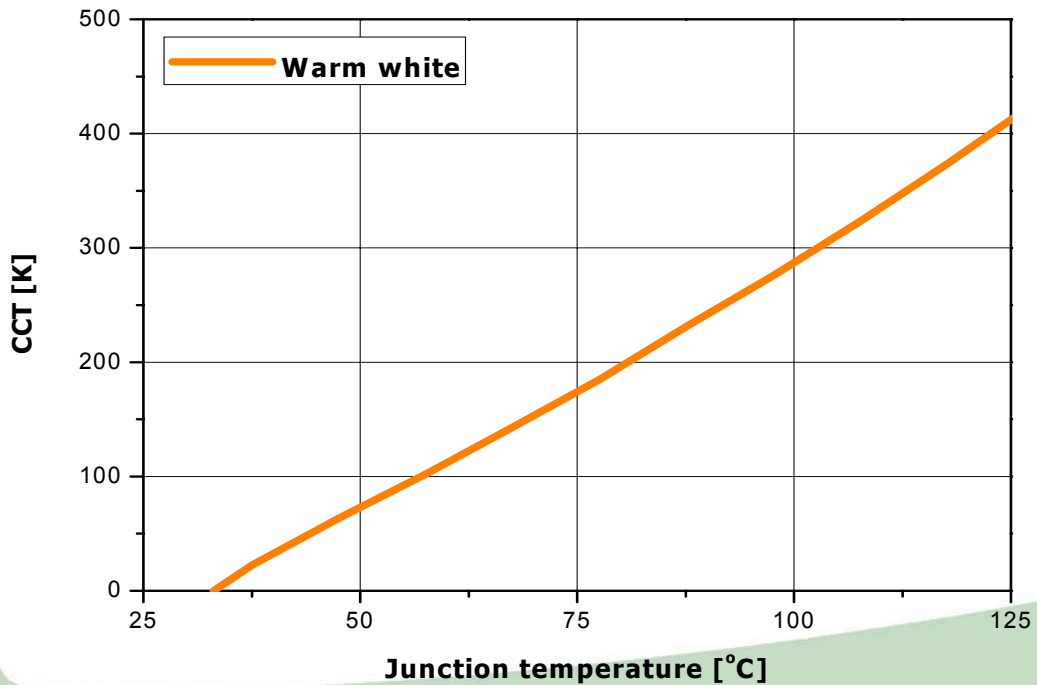
**Relative Flux vs. Forward voltage**



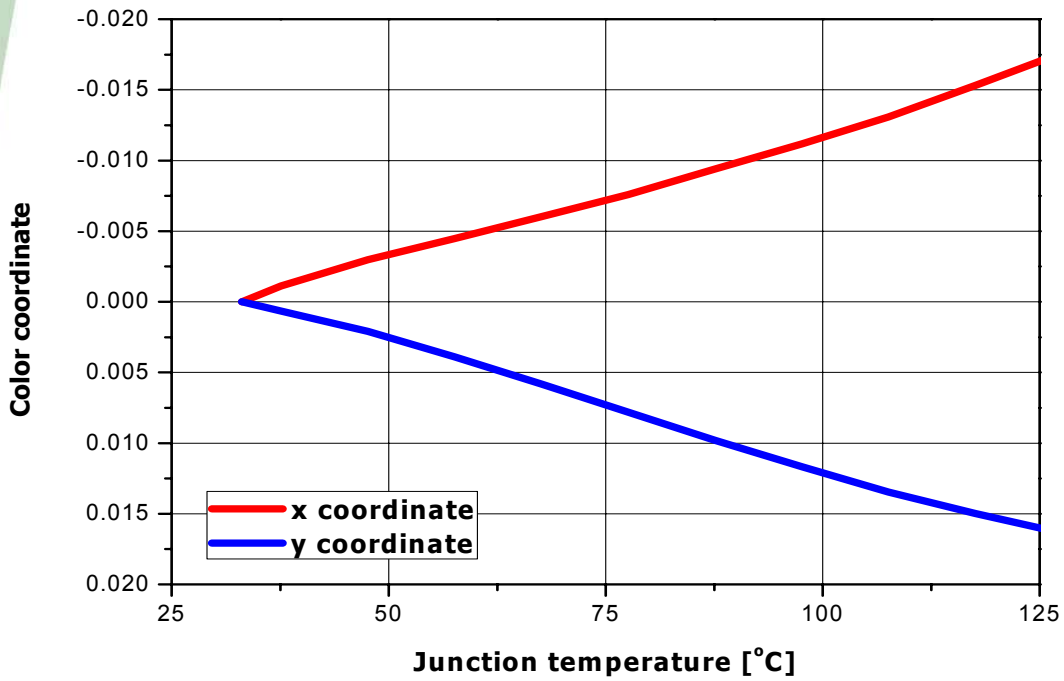
**Relative Flux vs. Junction temperature (20mA,RMS@55V,RMS)**



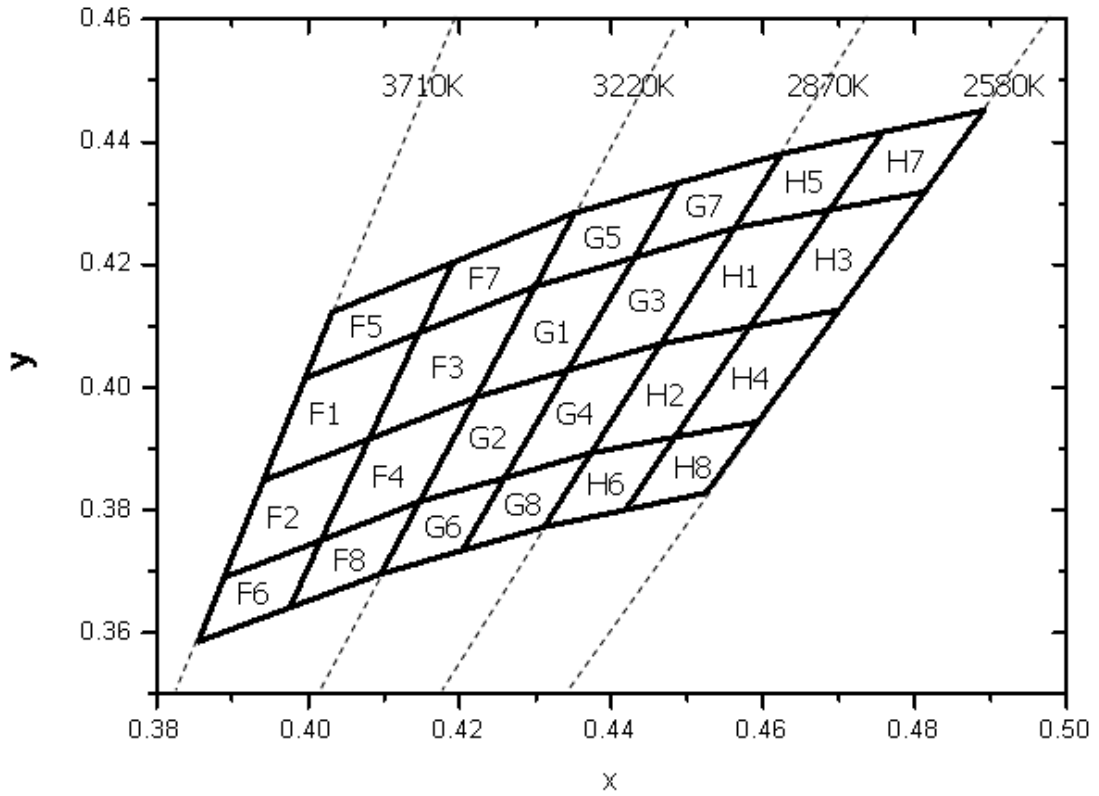
**CCT variation vs. Junction temperature (20mA,RMS@55V,RMS)**



**Color coordinate vs. Junction temperature (20mA,RMS@55V,RMS)**



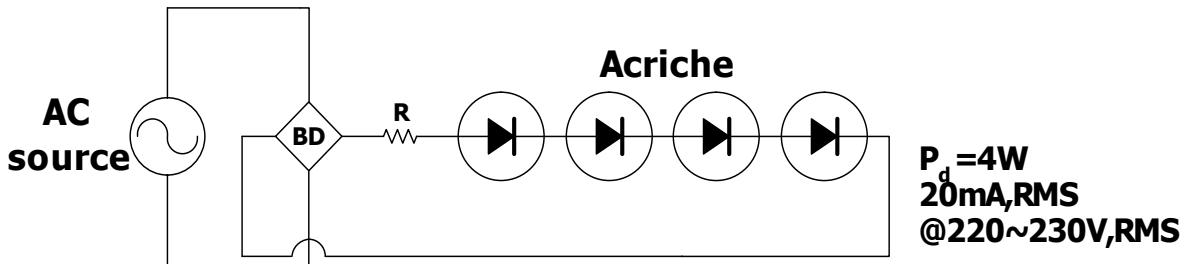
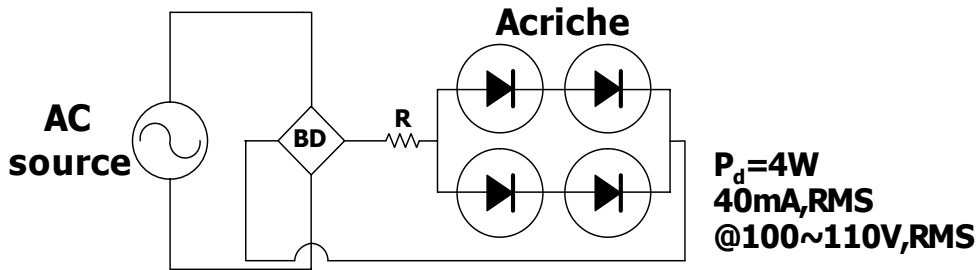
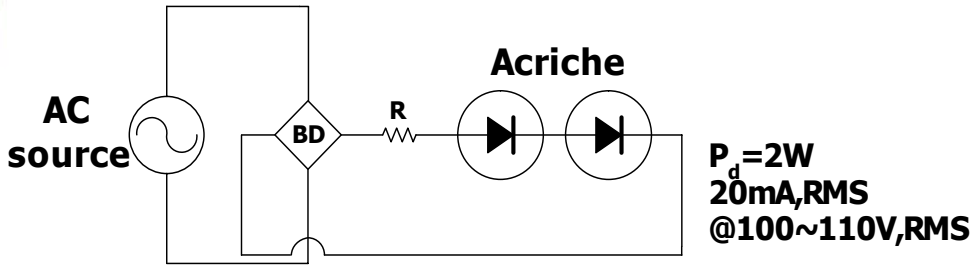
### Binning structure graphical representation



\* For more information about binning and labeling, refer to the Application Note -1

## Operating instructions

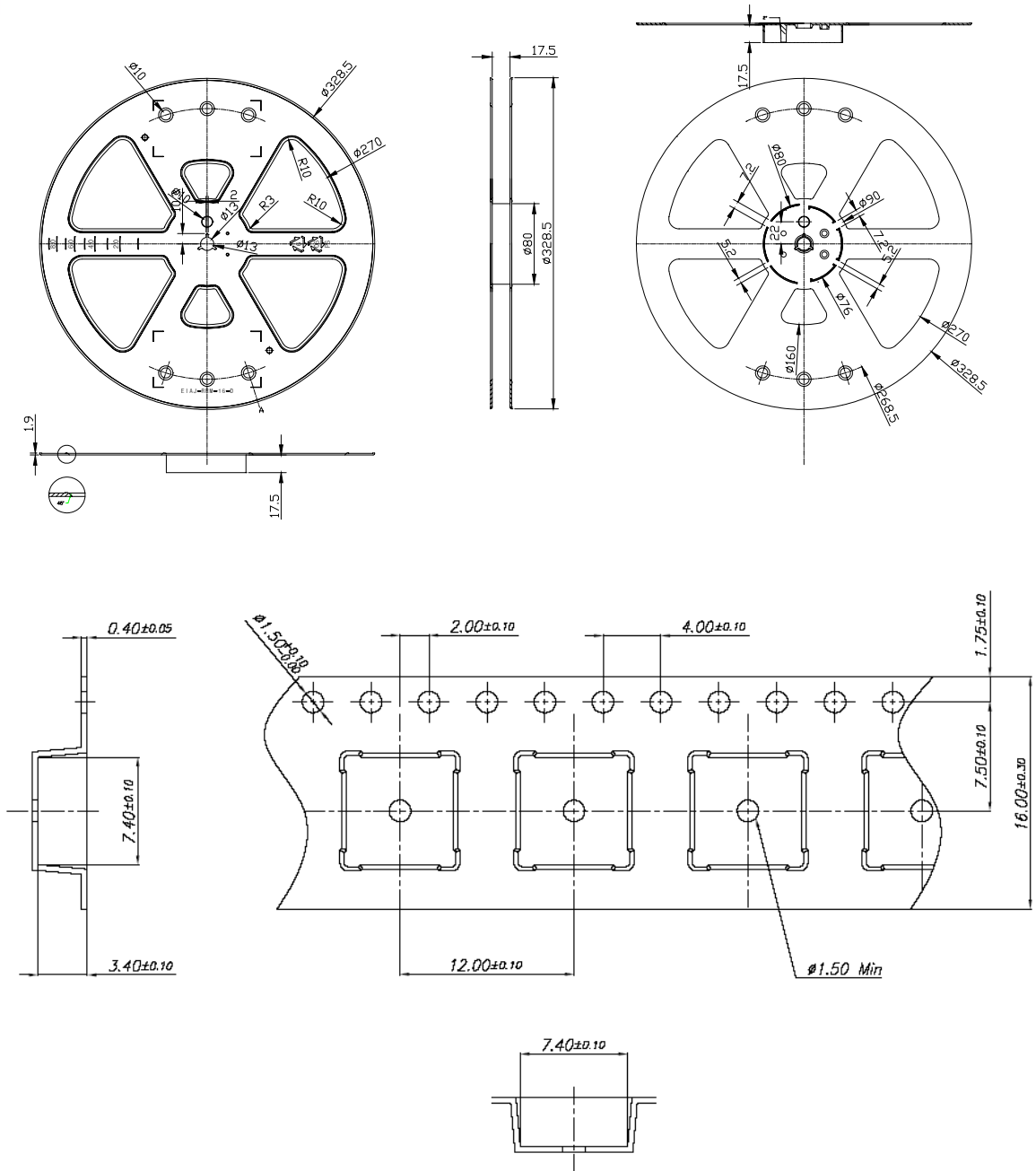
### 1. Basic connections of AX42XX for AC source



\* Notes :

- [1] A4 series need bridge diode and external resistor.
- [2] The tolerance of current is  $\pm 5\%$  on each resistance rank.
- [3] For more information about Acrich connection, refer to the Application Note.

**Emitter Reel Packaging**



\* Notes :

- [1] The number of loaded products in the reel is 1000ea
- [2] All dimensions are in millimeters (tolerance :  $\pm 0.2$ )
- [3] Scale none

Rev. 01

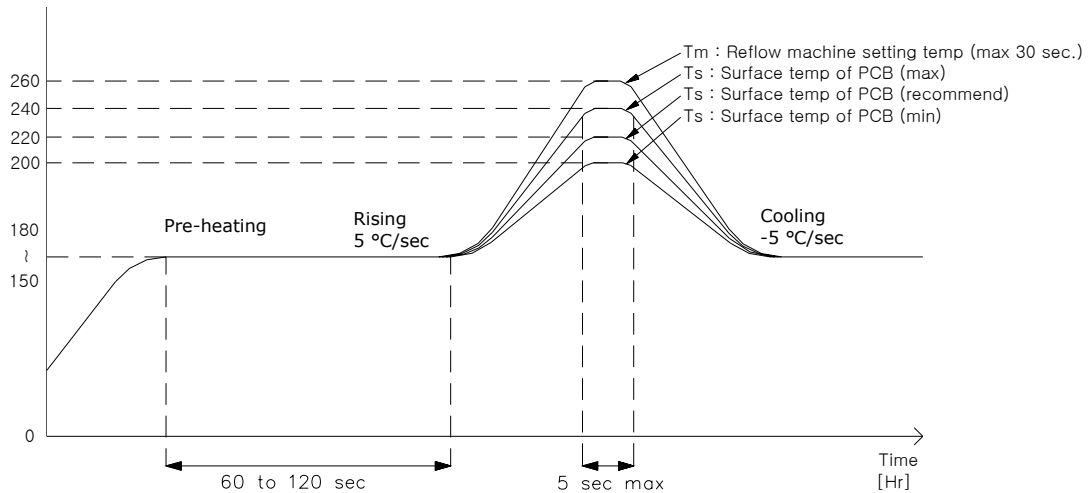
September 2009

www.acriche.com

서식번호 : SSC-QP-7-07-25 (Rev.00)

## Solder profile

### 1. Reflow solder conditions / profile



#### \* Caution

- [1] Reflow soldering should not be done more than one time.
- [2] Repairing should not be done after the LEDs have been soldered. When repairing is unavoidable, suitable tools have to be used.
- [3] Die slug is to be soldered.
- [4] When soldering, do not put stress on the LEDs during heating.
- [5] After soldering, do not warp the circuit board.
- [6] Recommend to use a convection type reflow machine with 7 ~ 8 zones.

### Precaution for use

- [1] Acriche series run on high voltage such as 110 V or 220 V.
- [2] Please don't touch the PCB surface, which has built-in terminals and chips, with your hands or metals, while Acriche series is running.
- [3] Please don't add or change wires, while Acriche series is running.