

STC 072

Extruded Supports



Width of PCB:
68 mm - 72 mm (2.677 in - 2.835 in)



Support Type:
EXTRUDED



Standard Colour:
GREEN



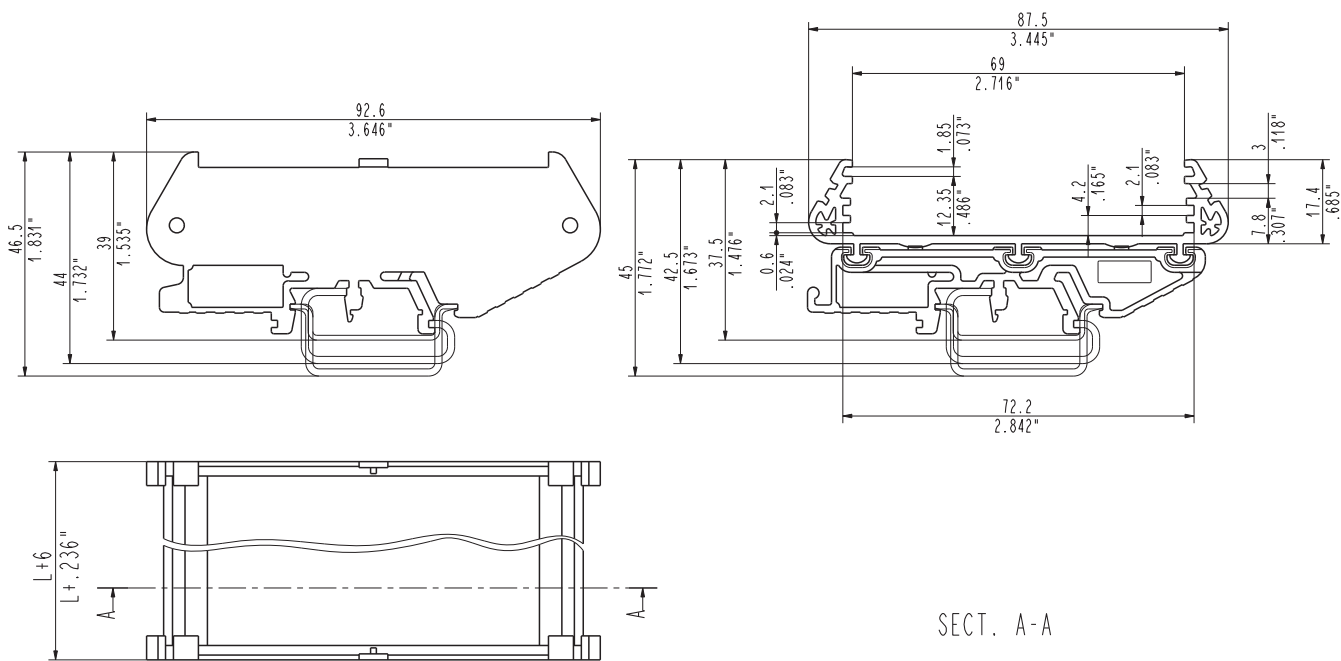
Thickness of PCB:
1.6 ÷ 2.8 mm (.063 ÷ .110 in)



STC072

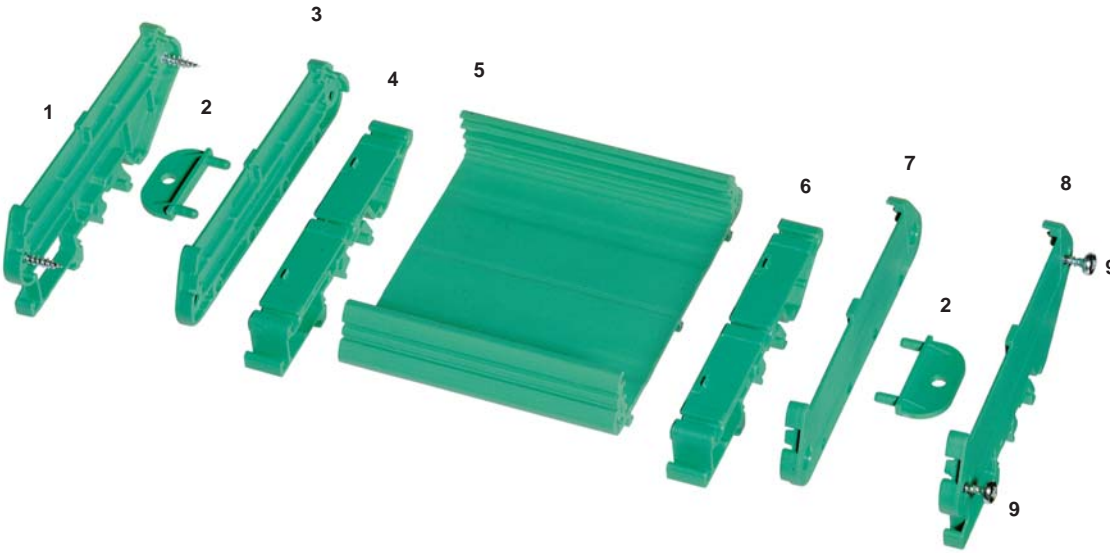


Extruded Supports for 72 mm (2.835 in)



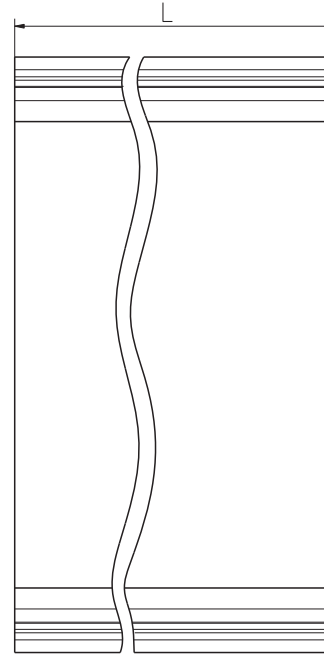
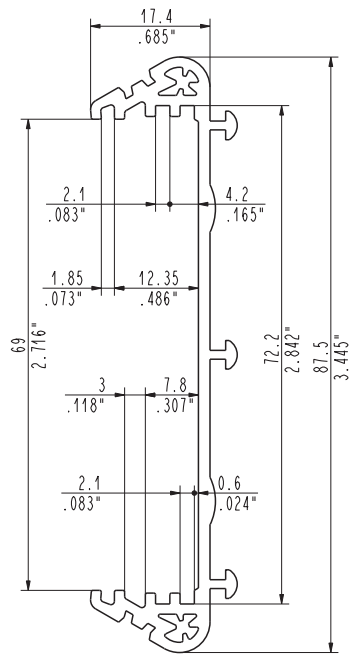
SECT. A-A

STC Parts



- 1 STC072TSX0
- 2 STC000F000
- 3 STC072T000
- 4 STC072P011
- 5 STC072S_ _ _
- STC0722000
- STC072L_ _ _
- 6 STC072P011
- 7 STC072T000
- 8 STC072TDX0
- 9 STC000V015

Custom Size Cut Extruded Profile



STC072S_ _ _
 STC0722000
 STC072L_ _ _

STC072S_ _ _ / STC0722000 / STC072L_ _ _

Custom Sized Cut Profile

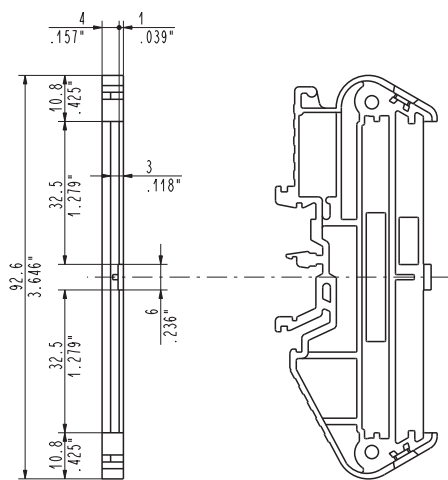
For a Custom Sized Cut Profile, the length of the Central Body must be equal to the length of the PCB minus 3.5 mm (.138 in). It's advised to round off the figure to the higher whole number.

The length of the support, including the Lateral Elements, is equal to the length of the Profile plus 6 mm (.236 in).

Cut Profile sizes L		Part-Number	Pcs / pack	For PCB		Length of support	
(mm)	(in)			(mm)	(in)	(mm)	(in)
16,50	.650	STC072S016	50	20,00	.787	22,50	.886
27,75	1.093	STC072S028	50	31,25	1.230	33,75	1.329
39,00	1.535	STC072S039	50	42,50	1.673	45,00	1.772
50,25	1.978	STC072S050	50	53,75	2.116	56,25	2.215
61,50	2.421	STC072S061	50	65,00	2.559	67,50	2.657
72,75	2.864	STC072S073	50	76,25	3.002	78,75	3.100
84,00	3.307	STC072S084	50	87,50	3.445	90,00	3.543
95,25	3.750	STC072S095	50	98,75	3.888	101,25	3.986
106,50	4.193	STC072S106	50	110,00	4.331	112,50	4.429
117,75	4.636	STC072S118	50	121,25	4.774	123,75	4.872
129,00	5.079	STC072S129	50	132,50	5.217	135,00	5.315
140,25	5.522	STC072S140	50	143,75	5.659	146,25	5.758
151,50	5.965	STC072S151	50	155,00	6.102	157,50	6.201
162,75	6.407	STC072S163	50	166,25	6.545	168,75	6.644
174,00	6.850	STC072S174	50	177,50	6.988	180,00	7.087
Profile for PCB with L = 2 m (78.740 in)		STC0722000	10	-----	-----	-----	-----
Custom	Custom	STC072L_ _ _	100	L + 3,5	L +.137	L + 6	L +.236

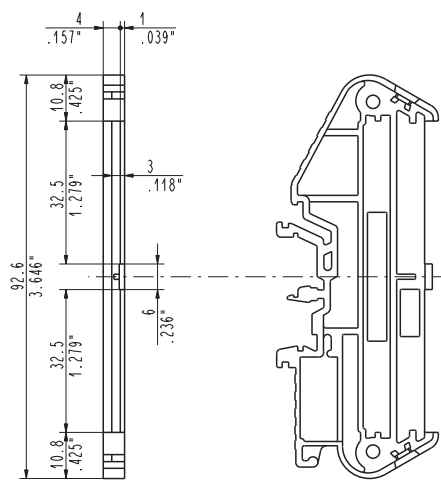
Extruded Supports

Lateral Element with Left Rail Hook



STC072TSX0

Lateral Element with Right Rail Hook



STC072TDX0

STC072TSX0 / STC072TDX0

Lateral Elements with Left and Right Rail Hook

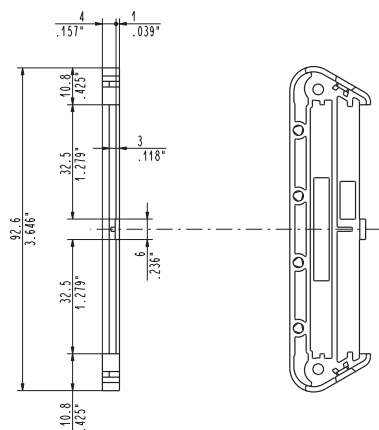
Lateral Elements with Left and Right Rail Hook can be used to hook the Extruded Profile to the DIN rails to hold PCB Supports that are quite short and quite lightweight. Alternatively, it's possible to use 2 Lateral Elements Without Hooks by placing the required number of DIN Rail Hooks directly under the Extruded Profile.

To fasten each Lateral Element to the Extruded Profile, 2 Screws must be used.

For customer convenience, the Support can be supplied with one Lateral Element already assembled. This option, if desired, must be clearly requested.

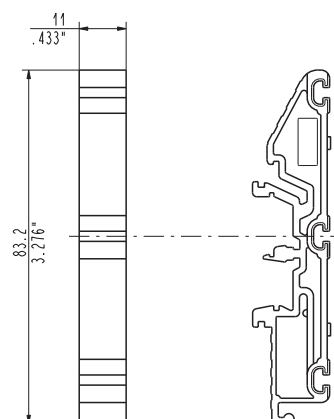
Description	Part-Number	Pcs / pack
Left Lateral Element with Rail Hook	STC072TSX0	50
Right Lateral Element with Rail Hook	STC072TDX0	50
Head Without Rail Hook	STC072T000	100
DIN Rail Hook	STC072P011	50
Screw for Head Fastening	STC000V015	100
Screw for Head Fastening	STC000V025	100

Lateral Element without Rail Hook



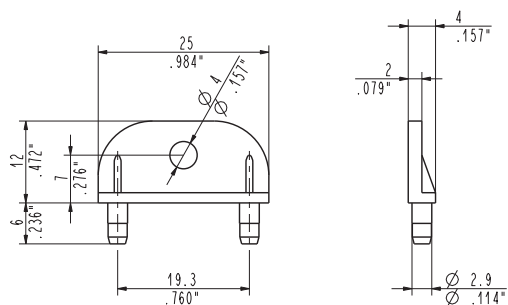
STC072T000

DIN Rail Hook



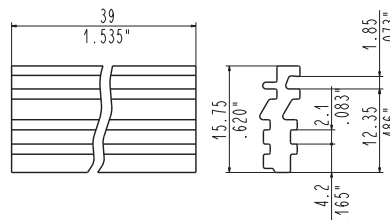
STC072P011

Bracket for Mounting on the Wall



STC000F000

Size Adapter for 2.677 in (68 mm) PCB



STC072A026

STC000F000

UL 94 V-0 Self-Extinguishing Polyamide PA 6.6

A **Bracket for Mounting on the Wall** can be used to fasten the PCB Support to a flat surface rather than hooking it to a DIN rail.

The **Bracket** is suitable only for **Lateral Elements Without a Rail Hook**. One **Bracket** for each Lateral Element is needed and it is snapped on.

The **Bracket for Mounting on the Wall** can be used with both **STC072** and **STC107** Series.

STC072A026

The **Adapter for 68 mm (2.677 in) PCBs** is necessary when mounting 68 mm (2.677 in) wide boards on the **STC072** Series Supports. It must be inserted lengthwise into the Profile, in the desired side and it doesn't need fastening.

The board will be offset in relation to the centerline of the profile. This position must be taken into consideration if the Protection Cover is used.

The **Adapter for 2.677 in (68 mm) PCBs** is available in **1.024 in (26 mm) standard length**.

It must be used in a quantity that does not exceed the correspondent length of the Profile.

Description	Part-Number	Pcs / pack
Bracket for Mounting on the Wall	STC000F000	100
Size of STD Adapter for 68 mm (2.677 in) Boards	STC072A026	50

In the following table some indicative examples of configuration are shown, as might occur in some practical applications.

Example	Extruded Profile	Left Lat. Element with Rail Hook	Right Lat. Element with Rail Hook	Head Without Rail Hook	DIN Rail Hook	Screw for Head Fastening	Bracket for Mounting on the Wall
	STC072 _ _ _ _	STC072TSX0	STC072TDX0	STC072T000	STC072P011	STC000V015	STC000F000
Lightweight	1	1	1			4	
Medium Weight	1			2	1	4	
Medium-Heavyweight	1			2	2	4	
Heavyweight	1			2	3	4	
Support to be fastened on a flat surface	1			2		4	2 ÷ 4