

Electrical Specification

Input Rated Voltage :	100 ~ 277Vac
Input Frequency :	50/60 Hz
Efficiency :	89%
Power Factor :	0.9
Output Voltage :	22.8~25.2 VDC
Output Current :	8.3ADC
Output Power :	200W
Protection :	SCP, OCP, OVP



Environmental Characteristics

Working Temperature (ta) :	-40 ~ +60 °C
IP Rating :	IP67

Safety

Product Design :	Class I,
Regular Standard :	IEC 61347-1; IEC 61347-2-13; UL8750 Non-Class 2
Approval Safety :	CE, UL, cUL

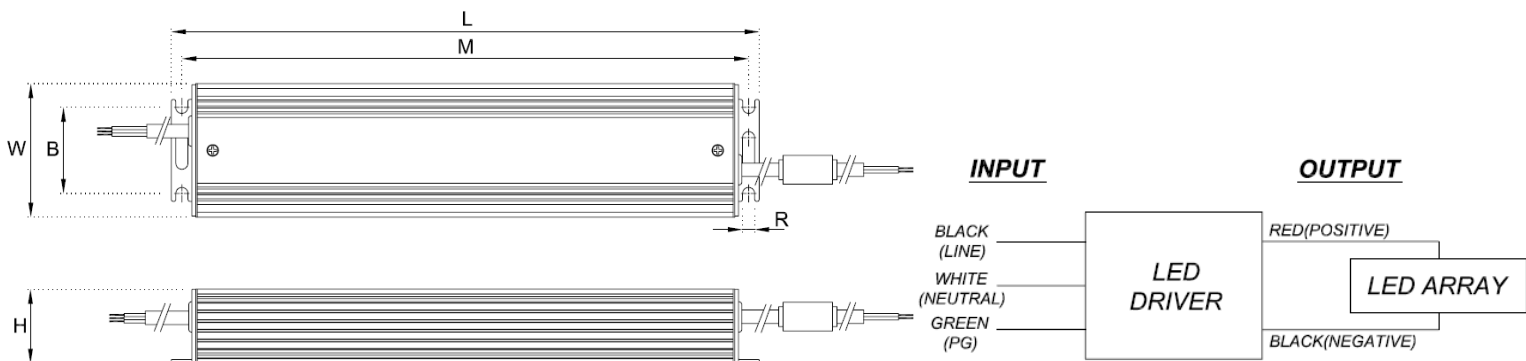
EMC

Emission :	Compliance to EN 55015 Class B : EN61000-3-2 Class C : EN61000-3-3 ; FCC Part 15 Class B
Immunity :	Compliance to EN 61547/1995+A1/2000

Mechanical

Dimension (L x W x H) :	305 x 69 x 38.5 (mm)
Input wires :	L: Black, N: White, FG: Green/Yellow, length: 200mm
Output wires :	Positive: Red, Negative: Black; length: 200mm

Physical Parameters



L: 305 mm	W: 69 mm
H: 38.5mm	R: 6.3 mm
M: 294 mm	B: 44.6mm