



SPECIFICATION:

Current rating: 1 A
 Insulation resistance: 1000 MΩ min.
 Contact resistance: 15 mΩ max.
 Dielectric voltage: 500 V AC
 Operation temperature: -55 °C to +105 °C

MATERIAL:

Insulator: PBT black UL94V-0
 Shell: Steel
 Pins: Brass

FINISH:

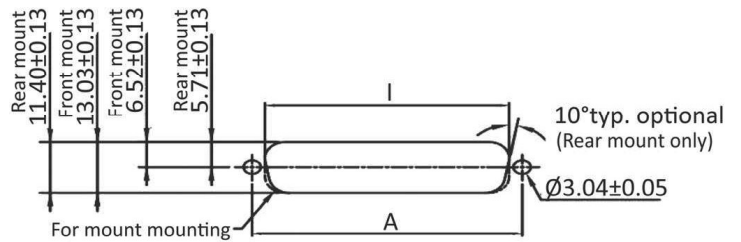
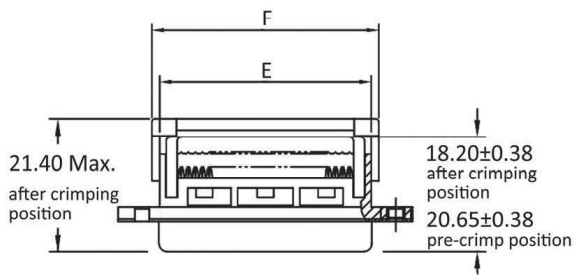
Contacts: Gold plated
 Shell: Tin plated

HANDLING:

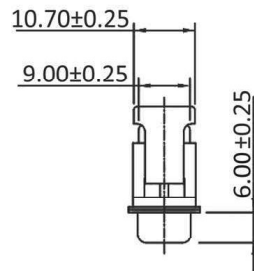
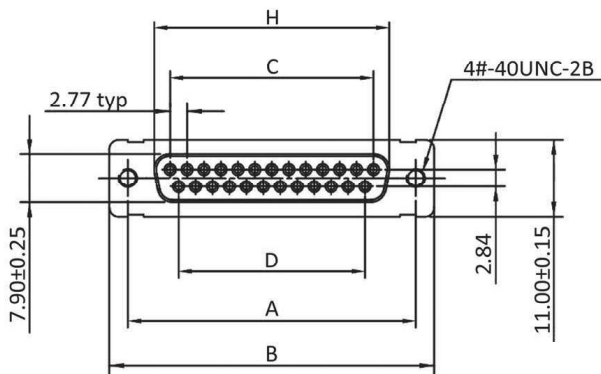
Processing: IDC
 Packing: Tray

TOLERANCE:

.X ± 0.38
 .XX ± 0.25



Recommended panel cutout dimensions



Dimensions

No. of contacts:	A:	B:	C:	D:	E:	F:	H:	I rear:	I front:
9	24.99	30.80	11.08	8.31	16.10	18.60	16.33	20.47	22.20
15	33.32	39.10	19.39	16.62	24.00	26.50	24.66	28.80	30.53
25	47.04	53.09	33,24	30.47	38.14	40.90	38.38	42.52	44.27
37	63.50	59.40	49,86	47.09	54.60	57.10	54.84	59.08	60.73