



SPECIFICATION:

Current rating: 1 A
 Insulation resistance: 1000 MΩ min.
 Contact resistance: 15 mΩ max.
 Dielectric voltage: 500 V AC
 Operation temperature: -25 °C to +85 °C

MATERIAL:

Insulator: PBT black UL94V-0
 Shell: Steel
 Pins: Brass

FINISH:

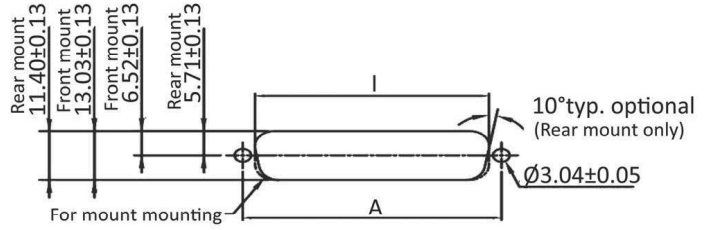
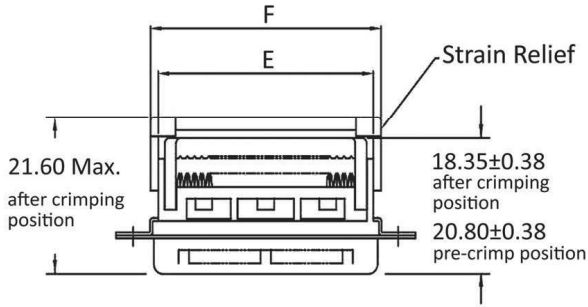
Contacts: Gold plated
 Shell: Nickel or tin plated

HANDLING:

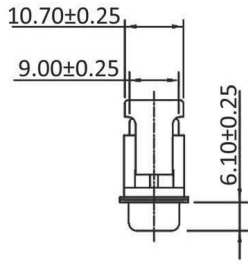
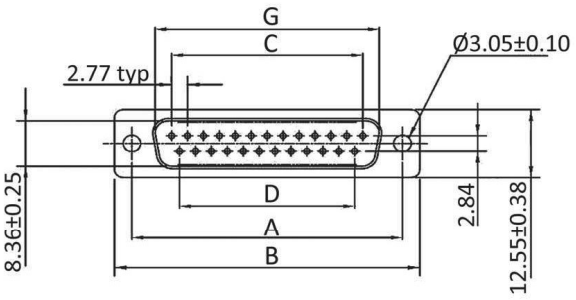
Processing: IDC
 Packing: Tray

TOLERANCE:

.X ± 0.38
 .XX ± 0.25



Recommended panel cutout dimensions



Dimensions

| No. of contacts: | A: | B: | C: | D: | E: | F: | G: | l rear: | l front: |
|------------------|-------|-------|-------|-------|-------|-------|-------|---------|----------|
| 9 | 24.99 | 30.80 | 11.08 | 8.31 | 16.10 | 18.60 | 16.92 | 20.47 | 22.20 |
| 15 | 33.32 | 39.10 | 19.39 | 16.62 | 24.00 | 26.50 | 25.25 | 28.80 | 30.53 |
| 25 | 47.04 | 53.09 | 33.24 | 30.47 | 38.14 | 40.90 | 38.96 | 42.52 | 44.27 |
| 37 | 63.50 | 69.40 | 49.86 | 47.09 | 54.60 | 57.10 | 55.45 | 59.08 | 60.73 |