

PLEASE CHECK WWW.MOLEX.COM FOR LATEST PART INFORMATION

Part Number: [1210120112](#)
Status: **Active**
Overview: mPm® DIN Valve Connectors
Description: mPm® DIN Base, Form A, B30 Base, 2 Pole Plus Ground Terminal, 250V AC/300V DC, Black Nitrile Gasket

Documents:

[Drawing \(PDF\)](#) [RoHS Certificate of Compliance \(PDF\)](#)
[Packaging Specification PK-121012-B30-001 \(PDF\)](#)

General

Product Family	Field Attachable / Accessories
Series	121012
Form	A
IP Rating	IP65, IP67
Material - Contact	Brass
Overview	mPm® DIN Valve Connectors
Product Name	mPm®
Type	Field Attachable Connector
UPC	883906334659

Physical

Cable Diameter	N/A
Coupling Type	N/A
Diagnostics / LEDs	No
Diagnostics Port	No
Gender	N/A
Keyway	None
Material - Connector Body	Polypropylene
Material - Coupling Nut	N/A
Material - Plating Mating	Silver
Orientation	Straight
Pitch - Mating Interface	18.00mm
Poles	2
Temperature Range - Operating	-40°C to +90°C
Wire Size AWG	N/A

Electrical

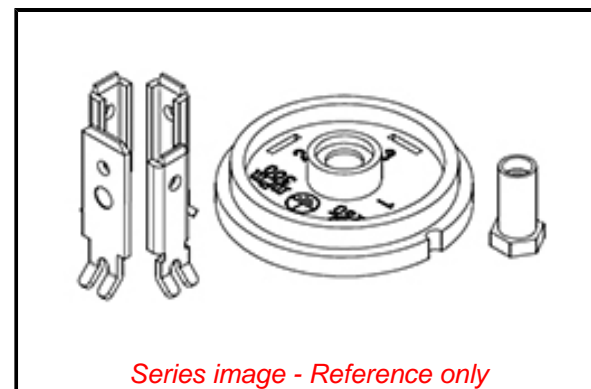
Current - Maximum per Contact	16.0A
Voltage - Maximum	250V AC / 300V DC

Material Info

Engineering Number	B302000N0
--------------------	-----------

Reference - Drawing Numbers

Packaging Specification	PK-121012-B30-001
Sales Drawing	SD-121012-112



EU ELV

Not Relevant

EU RoHS

Compliant with Exemption 6(c)

REACH SVHC

Not Contained Per
-ED/01/2017 (12
January 2017)

Halogen-Free

Status

Low-Halogen

Need more information on product environmental compliance?

Email productcompliance@molex.com
Please visit the [Contact Us](#) section for any non-product compliance questions.

China ROHS	50 Image
ELV	Not Relevant
RoHS Phthalates	Not Contained

Search Parts in this Series

[121012 Series](#)