
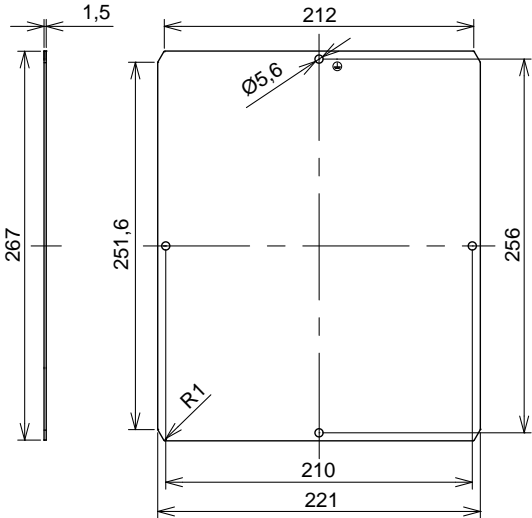
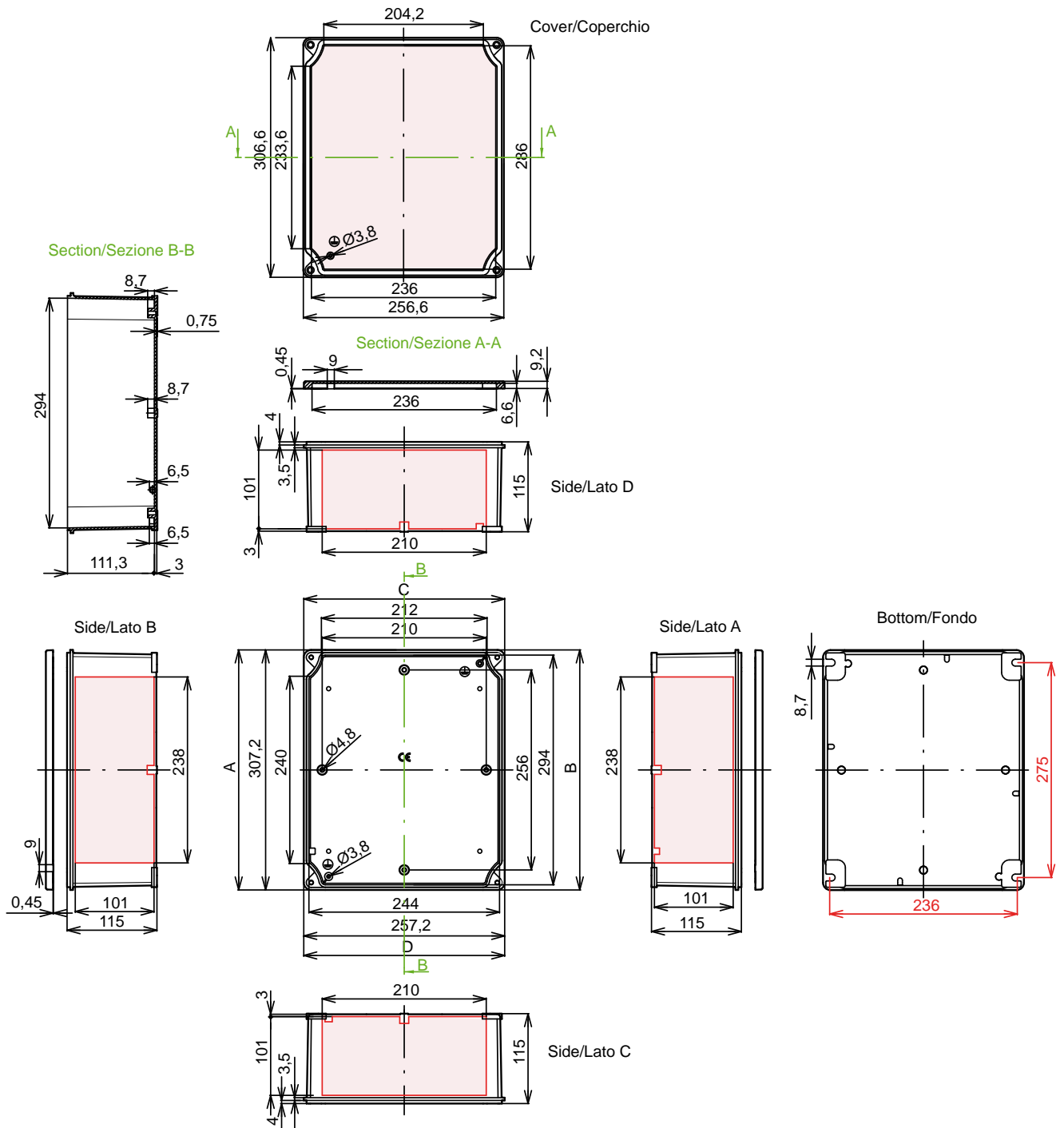


Model <i>Modello</i>	Outside dimensions <i>Dimensioni esterne</i>	Type/Color <i>Tipo/Colore</i>	Part No. <i>Codice</i>
<p>31.26.12</p>  <p>CE (RoHS)</p> <p>- IP66 / IP67 (EN 60569)</p> <p>- NEMA 250 / NEMA 250: Type 4,4x,12,13 for enclosures types STD - HT - Ex ATEX Type 4,12,13 for sandblasted enclosures - per cassette sabbiate</p> <p>- Packing / Imballo: 1/4</p> <p>- For dedicated DIN rails and accessories see page: 03.85 - 03.88 Per guide DIN dedicate ed accessori vedere pag:</p>	<p>307 x 257 x 121 mm</p>	<p>STD - Grey/Grigio RAL 9006</p> <p>STD - Black/Nero RAL 9005</p> <p>STD - Grey/Grigio RAL 7035</p> <p>Sandblasted/Aluminium Sabbata/Alluminio</p> <p>Ex-ATEX Grey/Grigio RAL 7037</p> <p>HT - Black/Nero RAL 9005 For high temperature Per alte temperature</p>	<p>8000.6266.0</p> <p>8000.6266.1</p> <p>8000.6266.2</p> <p>8000.6286.0</p> <p>8000.6296.0</p> <p>8000.6266.H</p>
<p>Metal plate - Piastra di fondo</p>		<p>Material <i>Materiale</i></p>	<p>Part No. <i>Codice</i></p>
 <p>- Packing / Imballo: 1/5</p>		<p>Zinc-plated steel Acciaio zincato</p>	<p>8000.6276.0</p>

Model <i>Modello</i>	31.26.12	Outside dimensions <i>Dimensioni esterne</i>	307 x 257 x 121 mm	Size <i>Grandezza</i>	S6	
--------------------------------	-----------------	--	---------------------------	---------------------------------	-----------	--



The pink color identifies the allowed zones for drilling and threading operations.
 Upon request, we supply drilled enclosures with or without cable glands and fittings according customer's requirements.
 Il colore rosa indica le zone libere per operazioni di foratura e filettatura.
 Possiamo fornire cassette forate con o senza pressacavi e raccordi secondo il disegno del cliente

		MAX M Thread Massima filettatura M							
M		12	16	20	25	32	40	50	63
Side Lato	A/B	55	36	18	10	8	4	3	2
Side Lato	C/D	50	32	15	8	8	3	3	2