
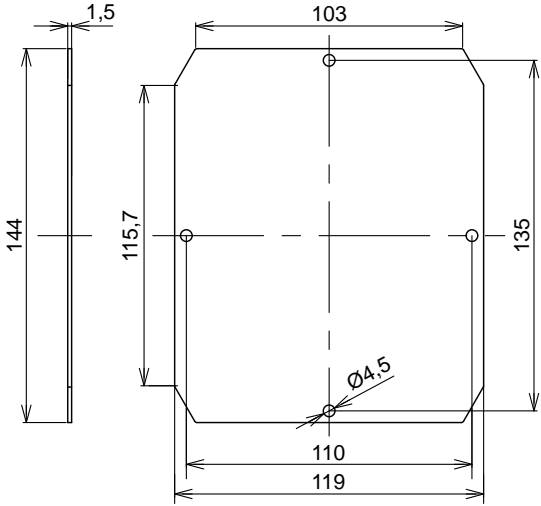
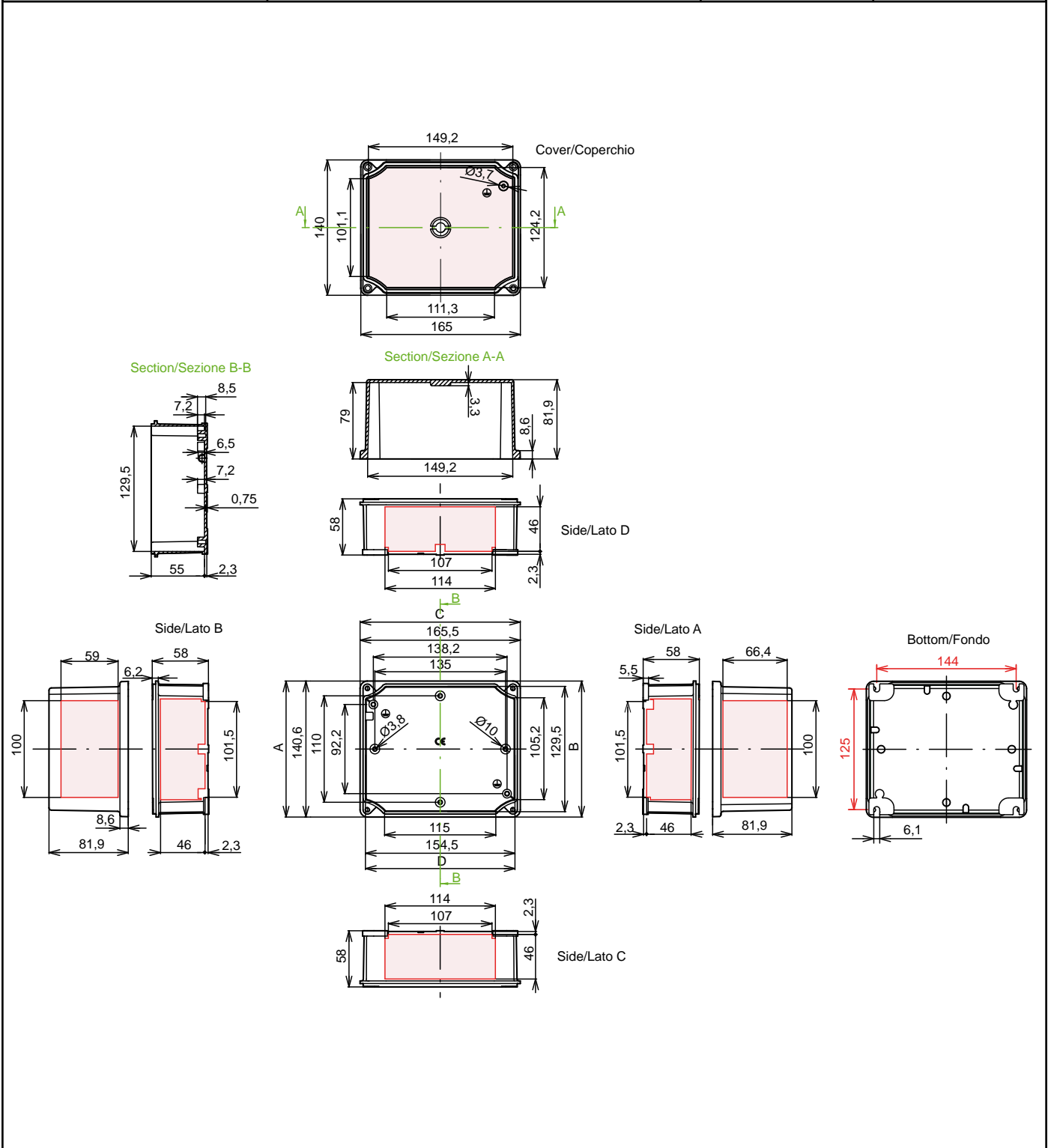


Model <i>Modello</i>	Outside dimensions <i>Dimensioni esterne</i>	Type/Color <i>Tipo/Colore</i>	Part No. <i>Codice</i>
<p>17.14.14</p>  <p>CE (RoHS)</p> <ul style="list-style-type: none"> - IP66 / IP67 (EN 60569) - NEMA 250 / NEMA 250: Type 4,4x,12,13 for enclosures types STD - HT - Ex ATEX Type 4,12,13 for sandblasted enclosures - per cassette sabbiate - Packing / Imballo: 1/8 - For dedicated DIN rails and accessories see page: 03.85 - 03.88 Per guide DIN dedicate ed accessori vedere pag: 	<p>166 x 141 x 137 mm</p>	<p>STD - Grey/Grigio RAL 9006</p> <p>STD - Black/Nero RAL 9005</p> <p>STD - Grey/Grigio RAL 7035</p> <p>Sandblasted/Aluminium <i>Sabbiata/Alluminio</i></p> <p>Ex-ATEX Grey/Grigio RAL 7037</p> <p>HT - Black/Nero RAL 9005 For high temperature <i>Per alte temperature</i></p>	<p>8000.6268.0</p> <p>8000.6268.1</p> <p>8000.6268.2</p> <p>8000.6288.0</p> <p>8000.6298.0</p> <p>8000.6268.H</p>
<p>Metal plate - Piastra di fondo</p>		<p>Material <i>Materiale</i></p>	<p>Part No. <i>Codice</i></p>
 <p>- Packing / Imballo: 1/10</p>		<p>Zinc-plated steel <i>Acciaio zincato</i></p>	<p>8000.6273.0</p>

Model <i>Modello</i>	17.14.14	Outside dimensions <i>Dimensioni esterne</i>	166 x 141 x 137 mm	Size <i>Grandezza</i>	S3HC	
--------------------------------	-----------------	--	---------------------------	---------------------------------	-------------	--



<p>The pink color identifies the allowed zones for drilling and threading operations. Upon request, we supply drilled enclosures with or without cable glands and fittings according customer's requirements. <i>Il colore rosa indica le zone libere per operazioni di foratura e filettatura.</i> Possiamo fornire cassette forate con o senza pressacavi e raccordi secondo il disegno del cliente</p>	MAX M Thread Massima filettatura M								
	M	12	16	20	25	32	40	50	63
	Side Lato A/B	6+6	4+4	2+2	2+2	2	2	0	0
	Side Lato C/D	12+12	6+6	4+4	2+2	2+2	2	0	0