

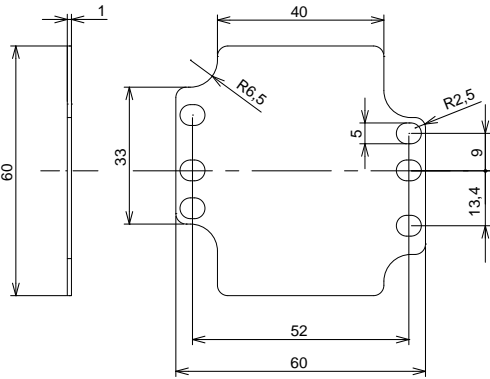
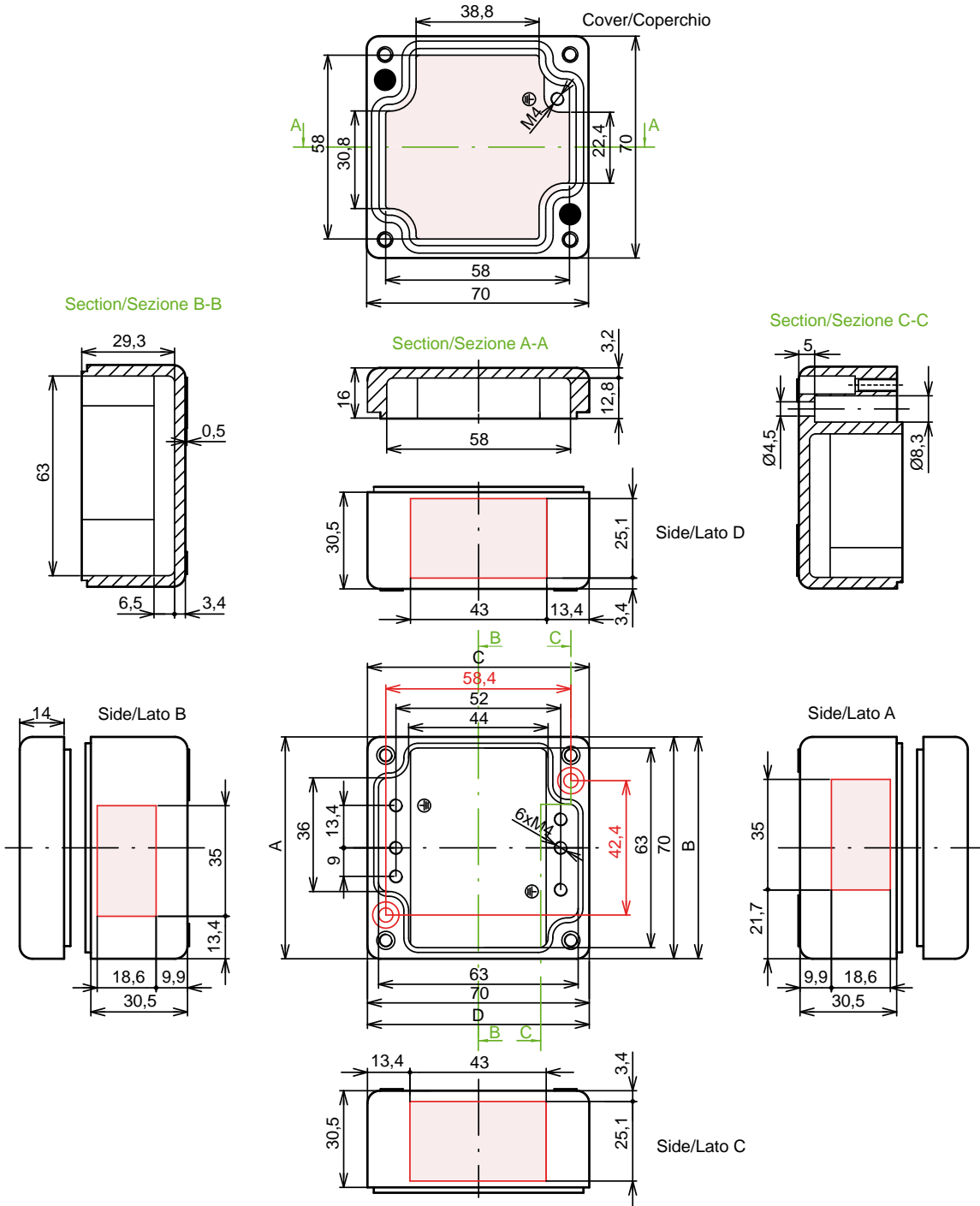


Model <i>Modello</i>	Outside dimensions <i>Dimensioni esterne</i>	Type/Color <i>Tipo/Colore</i>	Part No. <i>Codice</i>
<p>07.07.04</p>  <p>CE </p> <p>- IP66 / IP69 (EN 60569)</p> <p>- NEMA 250 / NEMA 250: Type 4,4x,12,13 for enclosures types STD - HT Type 4,12,13 for sandblasted enclosures, per cassette sabbiate</p> <p>- Packing / Imballo: 1</p> <p>- For dedicated DIN rails and accessories see page: 03.85 - 03.88 Per guide DIN dedicate ed accessori vedere pag:</p>	<p>70 x 70 x 45 mm</p>	<p>STD - Grey/Grigio RAL 7001</p> <p>STD - Light grey/Grigio RAL 7035</p> <p>Sandblasted/Aluminium Sabbiate/Alluminio</p> <p>STD - Black/Nero RAL 9005</p> <p>HT - Black/Nero RAL 9005 For high temperature Per alte temperature</p> <p>Ex ATEX - Grey/Grigio RAL 7001</p> <p>NEW</p>	<p>8100.8001.0</p> <p>8100.8101.0</p> <p>8100.8201.0</p> <p>8100.8301.1</p> <p>8100.8301.H</p> <p>8100.8001.7</p>
<p>Metal plate - Piastra di fondo</p>		<p>Material <i>Materiale</i></p>	<p>Part No. <i>Codice</i></p>
		<p>Zinc-plated steel Acciaio zincato</p>	<p>8100.8401.0</p>

Model <i>Modello</i>	07.07.04	Outside dimensions <i>Dimensioni esterne</i>	70 x 70 x 45 mm	
--------------------------------	-----------------	--	------------------------	--



Panel drillings for installation:
Forature del pannello per l'installazione:

The pink color identifies the allowed zones for drilling and threading operations.
 Upon request, we supply drilled enclosures with or without cable glands and fittings according customer's requirements.
Il colore rosa indica le zone libere per operazioni di foratura e filettatura.
 Possiamo fornire cassette forate con o senza pressacavi e raccordi secondo il disegno del cliente

ATEX - MAX M/Pg Thread - Massima filettatura M/Pg

M	12	16	20	25	32	40	50	63		
Side Lato A/B	1									
Side Lato C/D	2									
Pg	7	9	11	13.5	16	21	29	36	42	48
Side Lato A/B	1	1								
Side Lato C/D	2	1								