

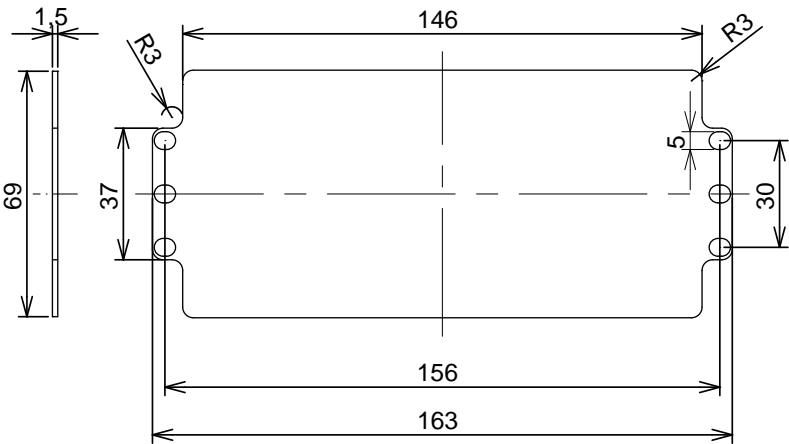
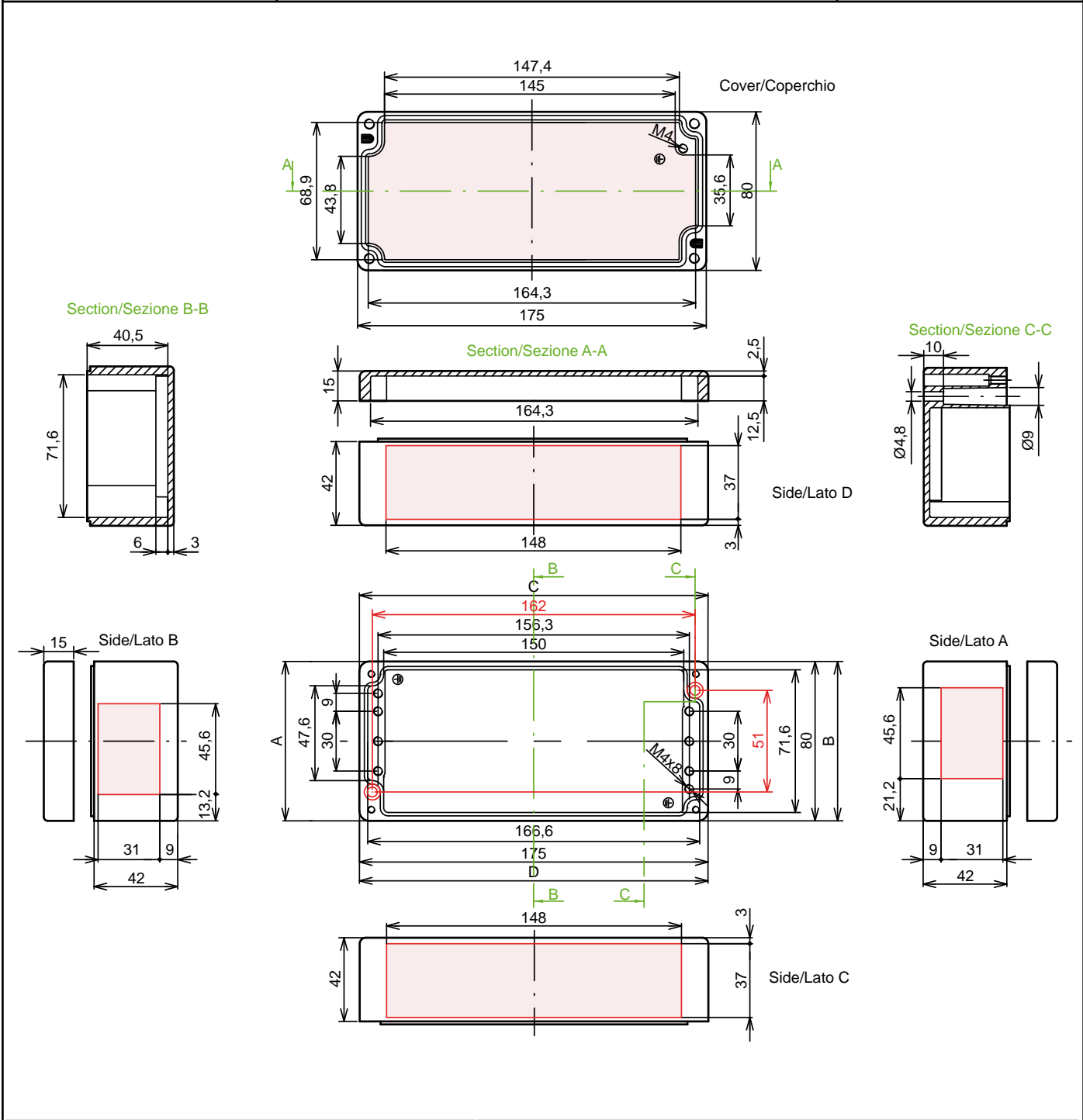


| Model<br><i>Modello</i>   | Outside dimensions<br><i>Dimensioni esterne</i> | Type/Color<br><i>Tipo/Colore</i>   | Part No.<br><i>Codice</i>   |
|---|---|--|---|
| <p>18.08.06</p>  <p>CE </p> <p>- IP66 / IP69 (EN 60569)</p> <p>- NEMA 250 / NEMA 250: Type 4,4x,12,13 for enclosures types STD - HT<br/>             Type 4,12,13 for sandblasted enclosures, per cassette sabbiate</p> <p>- Packing / Imballo: 1</p> <p>- For dedicated DIN rails and accessories see page: 03.85 - 03.88<br/>             Per guide DIN dedicate ed accessori vedere pag:</p> | <p>175 x 80 x 57 mm</p>                         | <p>STD - Grey/Grigio<br/>RAL 7001</p> <p>STD - Light grey/Grigio<br/>RAL 7035</p> <p>Sandblasted/Aluminium<br/><i>Sabbiata/Alluminio</i></p> <p>STD - Black/Nero<br/>RAL 9005</p> <p>HT - Black/Nero<br/>RAL 9005<br/>For high temperature<br/><i>Per alte temperature</i></p> <p>Ex ATEX - Grey/Grigio<br/>RAL 7001</p> | <p>8100.8011.0</p> <p>8100.8111.0</p> <p>8100.8211.0</p> <p>8100.8311.1</p> <p>8100.8311.H</p> <p>8100.8011.7</p> |
| <p><b>Metal plate - Piastra di fondo</b></p>  |   | <p><b>Material</b><br/><i>Materiale</i></p>  | <p><b>Part No.</b><br/><i>Codice</i></p>  |
|    |   | <p>Zinc-plated steel<br/><i>Acciaio zincato</i></p>  | <p>8100.8411.0</p>  |

|                                |                 |  |                         |  |
|--------------------------------|-----------------|--|-------------------------|--|
| <b>Model</b><br><i>Modello</i> | <b>18.08.06</b> | <b>Outside dimensions</b><br><i>Dimensioni esterne</i> | <b>175 x 80 x 57 mm</b> |  |
|--------------------------------|-----------------|--|-------------------------|--|



**Panel drillings for installation:**  
*Forature del pannello per l'installazione:*

The pink color identifies the allowed zones for drilling and threading operations.  
 Upon request, we supply drilled enclosures with or without cable glands and fittings according customer's requirements.  
*Il colore rosa indica le zone libere per operazioni di foratura e filettatura.*  
 Possiamo fornire cassette forate con o senza pressacavi e raccordi secondo il disegno del cliente

| ⚙️ ATEX - MAX M/Pg Thread - Massima filettatura M/Pg |          |          |           |             |           |           |           |           |           |           |
|--|----------|----------|-----------|-------------|-----------|-----------|-----------|-----------|-----------|-----------|
| M  | 12       | 16       | 20        | 25          | 32        | 40        | 50        | 63        |           |           |
| Side Lato A/B  | 5        | 2        | 2         | 1           |           |           |           |           |           |           |
| Side Lato C/D  | 14       | 6        | 5         | 3           |           |           |           |           |           |           |
| <b>Pg</b>  | <b>7</b> | <b>9</b> | <b>11</b> | <b>13.5</b> | <b>16</b> | <b>21</b> | <b>29</b> | <b>36</b> | <b>42</b> | <b>48</b> |
| Side Lato A/B  | 5        | 2        | 2         | 2           | 1         |           |           |           |           |           |
| Side Lato C/D  | 14       | 9        | 6         | 5           | 4         | 3         |           |           |           |           |