

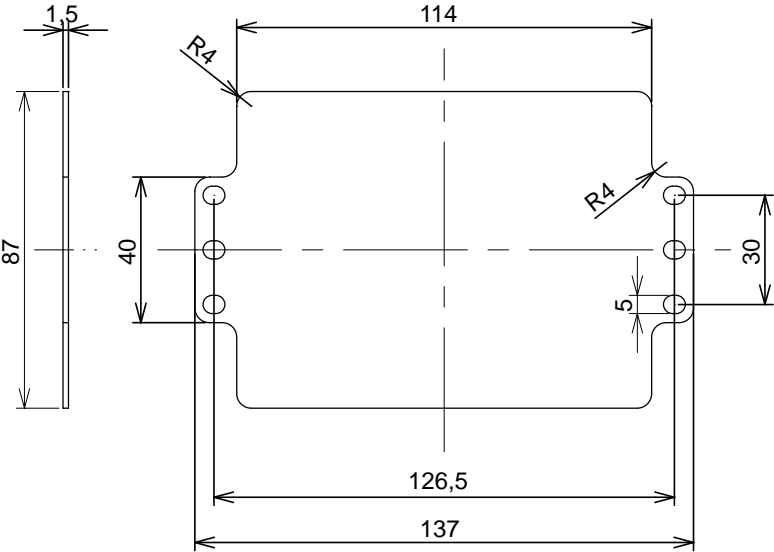
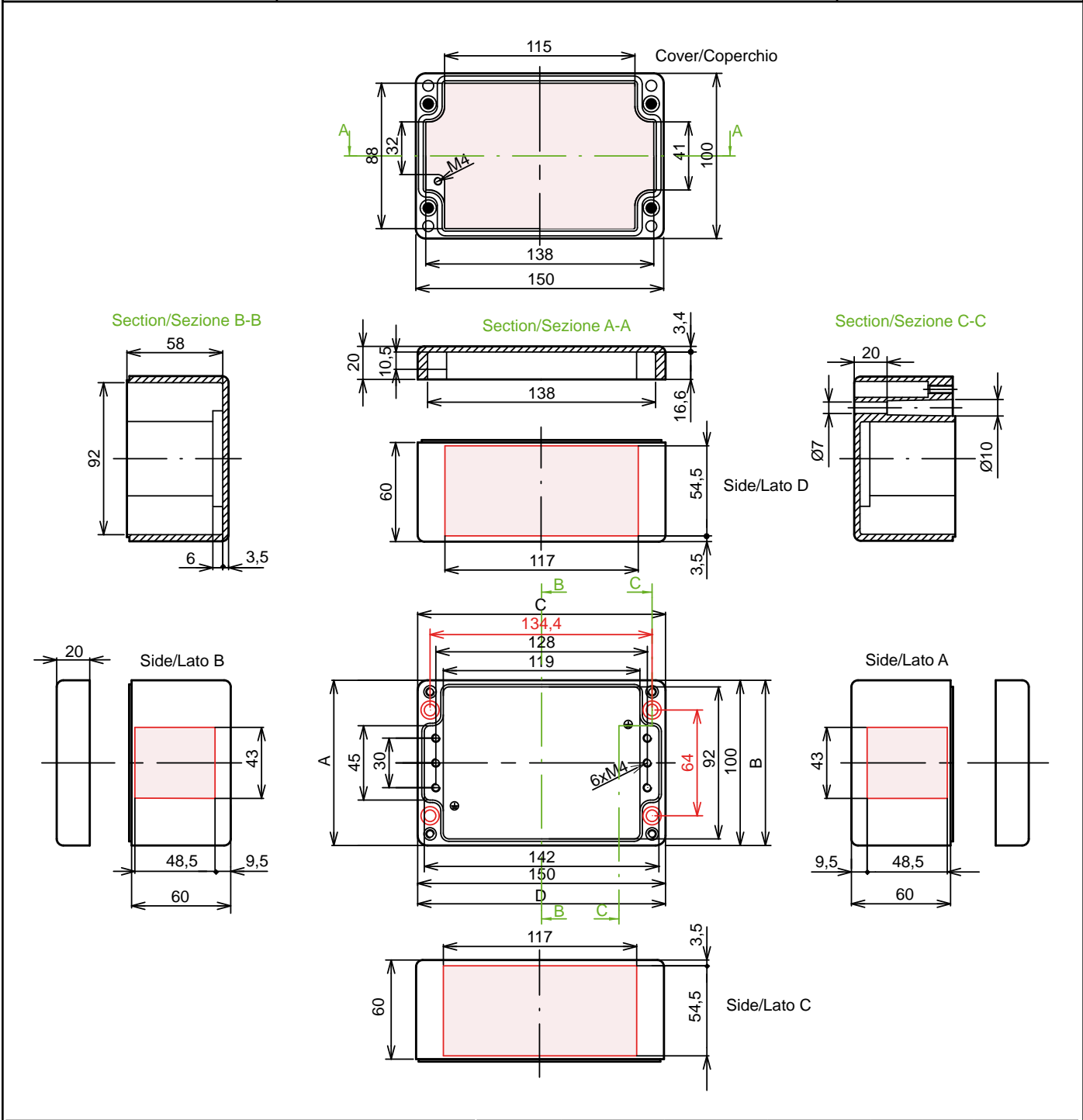


Model <i>Modello</i>	Outside dimensions <i>Dimensioni esterne</i>	Type/Color <i>Tipo/Colore</i>	Part No. <i>Codice</i>
<p>15.10.08</p>  <p>CE </p> <p>- IP66 / IP69 (EN 60569)</p> <p>- NEMA 250 / NEMA 250: Type 4,4x,12,13 for enclosures types STD - HT Type 4,12,13 for sandblasted enclosures, per cassette sabbiate</p> <p>- Packing / Imballo: 1</p> <p>- For dedicated DIN rails and accessories see page: 03.85 - 03.88 Per guide DIN dedicate ed accessori vedere pag:</p>	<p>150 x 100 x 80 mm</p>	<p>STD - Grey/Grigio RAL 7001</p> <p>STD - Light grey/Grigio RAL 7035</p> <p>Sandblasted/Aluminium <i>Sabbiata/Alluminio</i></p> <p>STD - Black/Nero RAL 9005</p> <p>HT - Black/Nero RAL 9005 For high temperature <i>Per alte temperature</i></p> <p>Ex ATEX - Grey/Grigio RAL 7001</p>	<p>8100.8013.0</p> <p>8100.8113.0</p> <p>8100.8213.0</p> <p>8100.8313.1</p> <p>8100.8313.H</p> <p>8100.8013.7</p>
<p>Metal plate - Piastra di fondo</p>		<p>Material <i>Materiale</i></p>	<p>Part No. <i>Codice</i></p>
		<p>Zinc-plated steel <i>Acciaio zincato</i></p>	<p>8100.8413.0</p>

Model <i>Modello</i>	15.10.08	Outside dimensions <i>Dimensioni esterne</i>	150 x 100 x 80 mm	
--------------------------------	-----------------	--	--------------------------	--



<p>Panel drillings for installation: <i>Forature del pannello per l'installazione:</i></p> <p>The pink color identifies the allowed zones for drilling and threading operations. Upon request, we supply drilled enclosures with or without cable glands and fittings according customer's requirements. <i>Il colore rosa indica le zone libere per operazioni di foratura e filettatura.</i> Possiamo fornire cassette forate con o senza pressacavi e raccordi secondo il disegno del cliente</p>	⚙️ ATEX - MAX M/Pg Thread - Massima filettatura M/Pg										
	M	12	16	20	25	32	40	50	63		
	Side Lato A/B	9	4	3	1	1					
	Side Lato C/D	20	9	8	4	3					
	Pg	7	9	11	13.5	16	21	29	36	42	48
	Side Lato A/B	8	5	4	3	2	1	1			
	Side Lato C/D	18	15	10	8	6	4	3			