

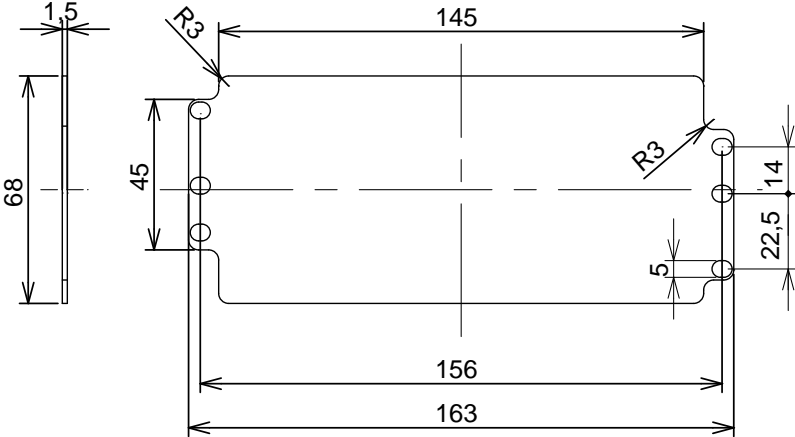
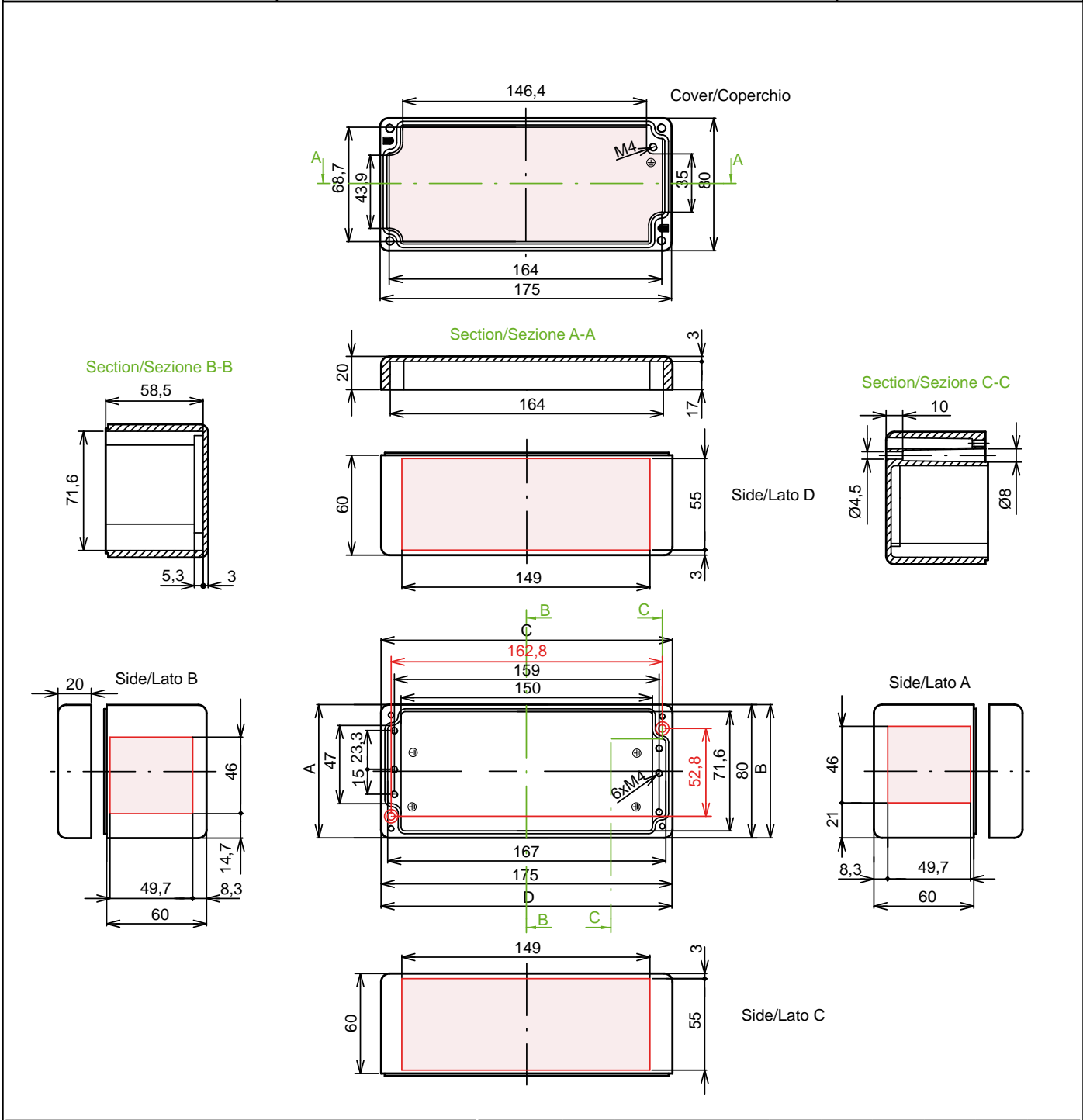


| Model <i>Modello</i> | Outside dimensions <i>Dimensioni esterne</i> | Type/Color <i>Tipo/Colore</i> | Part No. <i>Codice</i> |
|---|---|--|---|
| <p>18.08.08</p>  <p>CE </p> <p>- IP66 / IP69 (EN 60569)</p> <p>- NEMA 250 / NEMA 250: Type 4,4x,12,13 for enclosures types STD - HT Type 4,12,13 for sandblasted enclosures, per cassette sabbiate</p> <p>- Packing / Imballo: 1</p> <p>- For dedicated DIN rails and accessories see page: 03.85 - 03.88 Per guide DIN dedicate ed accessori vedere pag:</p> | <p>175 x 80 x 80 mm</p> | <p>STD - Grey/Grigio RAL 7001</p> <p>STD - Light grey/Grigio RAL 7035</p> <p>Sandblasted/Aluminium <i>Sabbiata/Alluminio</i></p> <p>STD - Black/Nero RAL 9005</p> <p>HT - Black/Nero RAL 9005 For high temperature <i>Per alte temperature</i></p> <p>Ex ATEX - Grey/Grigio RAL 7001</p> | <p>8100.8014.0</p> <p>8100.8114.0</p> <p>8100.8214.0</p> <p>8100.8314.1</p> <p>8100.8314.H</p> <p>8100.8014.7</p> |
| <p>Metal plate - Piastra di fondo</p> | | <p>Material <i>Materiale</i></p> | <p>Part No. <i>Codice</i></p> |
|  | | <p>Zinc-plated steel <i>Acciaio zincato</i></p> | <p>8100.8414.0</p> |

| | | | | |
|--------------------------------|-----------------|--|-------------------------|--|
| Model <i>Modello</i> | 18.08.08 | Outside dimensions <i>Dimensioni esterne</i> | 175 x 80 x 80 mm | |
|--------------------------------|-----------------|--|-------------------------|--|



| | | | | | | | | | | | |
|---|---|----|----|----|------|----|----|----|----|----|----|
| <p>Panel drillings for installation: <i>Forature del pannello per l'installazione:</i></p> <p>The pink color identifies the allowed zones for drilling and threading operations. Upon request, we supply drilled enclosures with or without cable glands and fittings according customer's requirements. <i>Il colore rosa indica le zone libere per operazioni di foratura e filettatura.</i> Possiamo fornire cassette forate con o senza pressacavi e raccordi secondo il disegno del cliente</p> | <p>Ⓜ ATEX - MAX M/Pg Thread - Massima filettatura M/Pg</p> | | | | | | | | | | |
| | M | 12 | 16 | 20 | 25 | 32 | 40 | 50 | 63 | | |
| | Side Lato A/B | 10 | 4 | 3 | 1 | 1 | | | | | |
| | Side Lato C/D | 22 | 9 | 8 | 4 | 3 | | | | | |
| | Pg | 7 | 9 | 11 | 13.5 | 16 | 21 | 29 | 36 | 42 | 48 |
| | Side Lato A/B | 8 | 5 | 4 | 3 | 2 | 1 | 1 | | | |
| Side Lato C/D | 20 | 16 | 12 | 8 | 6 | 4 | 3 | | | | |