

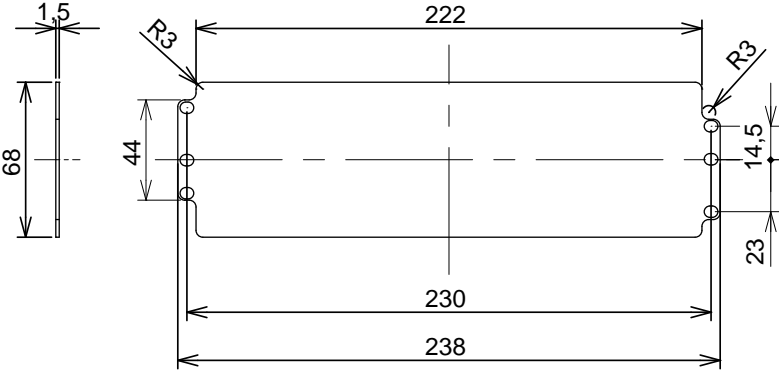
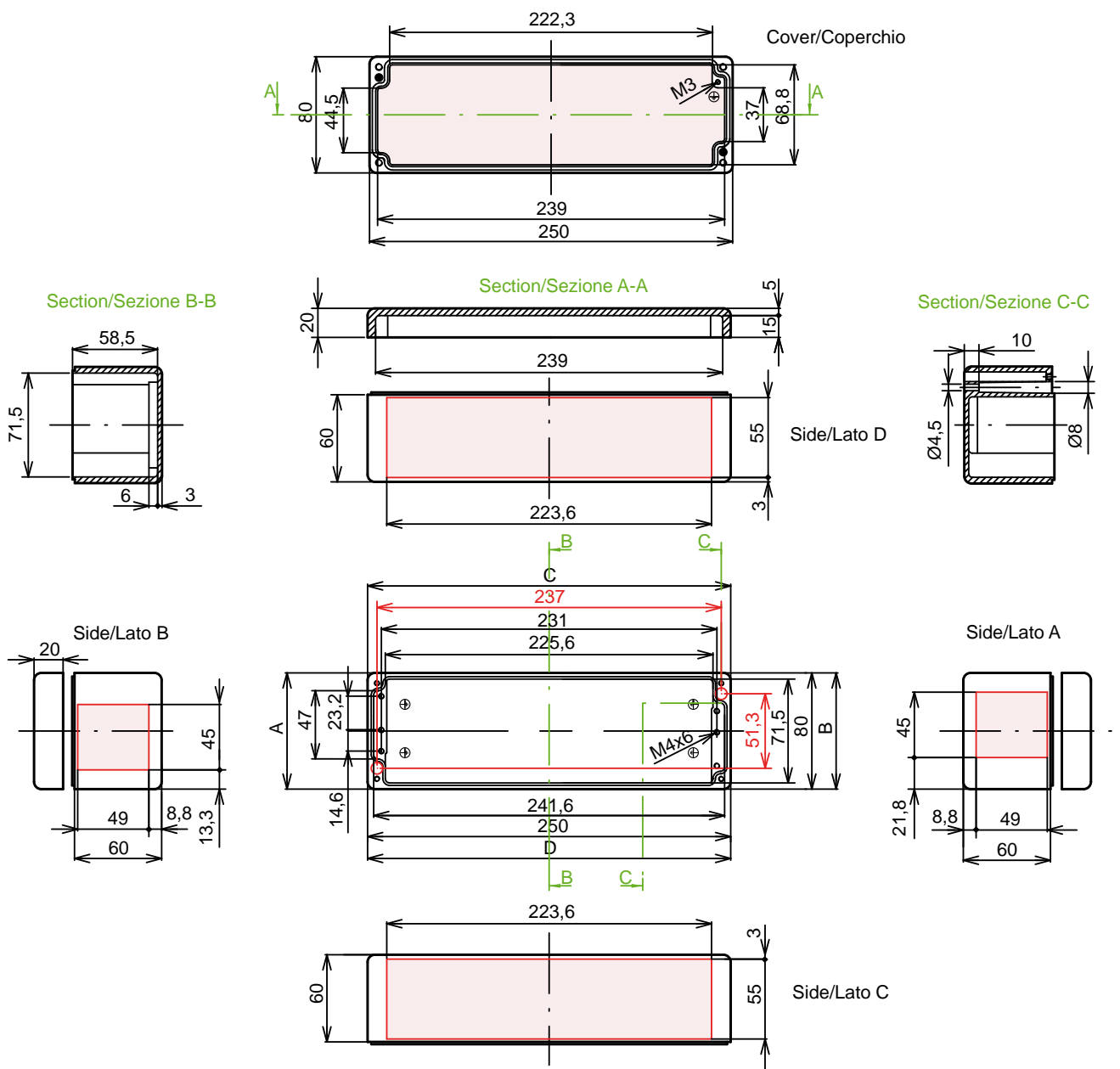


Model <i>Modello</i>	Outside dimensions <i>Dimensioni esterne</i>	Type/Color <i>Tipo/Colore</i>	Part No. <i>Codice</i>
<p><b>25.08.08</b></p>  <p>CE </p> <p>- IP66 / IP69 (EN 60569)</p> <p>- NEMA 250 / NEMA 250: Type 4,4x,12,13 for enclosures types STD - HT            Type 4,12,13 for sandblasted enclosures, <i>per cassette sabbiate</i></p> <p>- Packing / Imballo: 1</p> <p>- For dedicated DIN rails and accessories see page: 03.85 - 03.88  <i>Per guide DIN dedicate ed accessori vedere pag:</i></p>	<p><b>250 x 80 x 80 mm</b></p>	<p>STD - Grey/Grigio RAL 7001</p> <p>STD - Light grey/Grigio RAL 7035</p> <p>Sandblasted/Aluminium <i>Sabbiata/Alluminio</i></p> <p>Not painted <i>Non verniciata</i></p> <p>STD - Black/Nero RAL 9005</p> <p>HT - Black/Nero RAL 9005 For high temperature <i>Per alte temperature</i></p> <p>Ex ATEX - Grey/Grigio RAL 7001</p>	<p><b>8100.8022.0</b></p> <p><b>8100.8122.0</b></p> <p><b>8100.8222.0</b></p> <p><b>8100.8222.5</b></p> <p><b>8100.8322.1</b></p> <p><b>8100.8322.H</b></p> <p><b>8100.8022.7</b></p>
<p><b>Metal plate - Piastra di fondo</b></p>		<p><b>Finishing <i>Finitura</i></b></p>	<p><b>Part No. <i>Codice</i></b></p>
		<p>Zinc-plated steel <i>Acciaio zincato</i></p>	<p><b>8100.8422.0</b></p>

<b>Model</b> <i>Modello</i>	<b>25.08.08</b>	<b>Outside dimensions</b> <i>Dimensioni esterne</i>	<b>250 x 80 x 80 mm</b>	
--------------------------------	-----------------	--	-------------------------	--



**Panel drillings for installation:**  
*Forature del pannello per l'installazione:*

The pink color identifies the allowed zones for drilling and threading operations.  
 Upon request, we supply drilled enclosures with or without cable glands and fittings according customer's requirements.  
*Il colore rosa indica le zone libere per operazioni di foratura e filettatura.*  
 Possiamo fornire cassette forate con o senza pressacavi e raccordi secondo il disegno del cliente

ATEX - MAX M/Pg Thread - Massima filettatura M/Pg										
M	12	16	20	25	32	40	50	63		
Side Lato A/B	6	2	2	1						
Side Lato C/D	24	10	8	5						
<b>Pg</b>	<b>7</b>	<b>9</b>	<b>11</b>	<b>13.5</b>	<b>16</b>	<b>21</b>	<b>29</b>	<b>36</b>	<b>42</b>	<b>48</b>
Side Lato A/B	6	3	2	2	1	1				
Side Lato C/D	24	16	10	8	6	5				