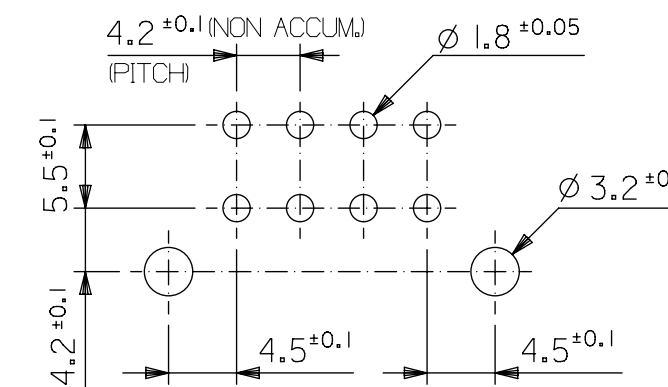
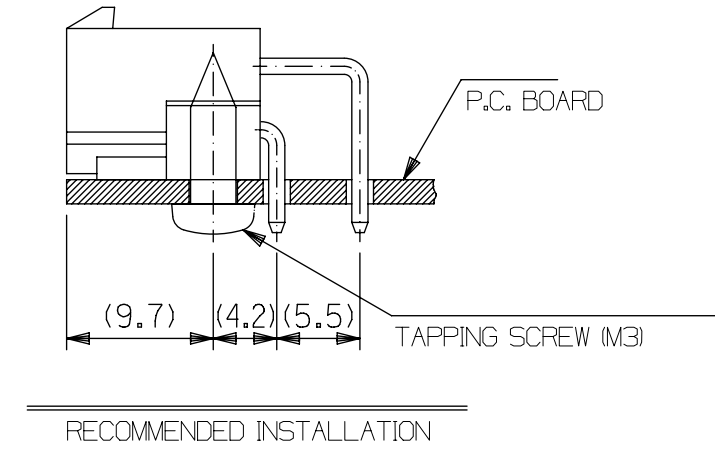
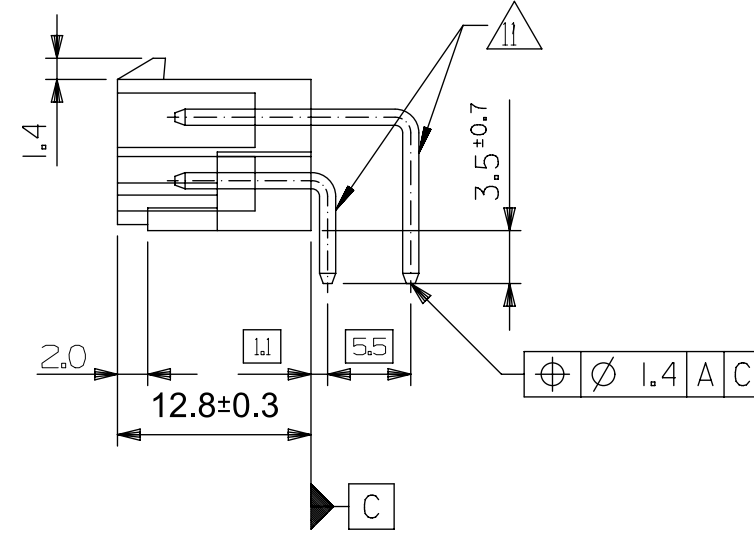
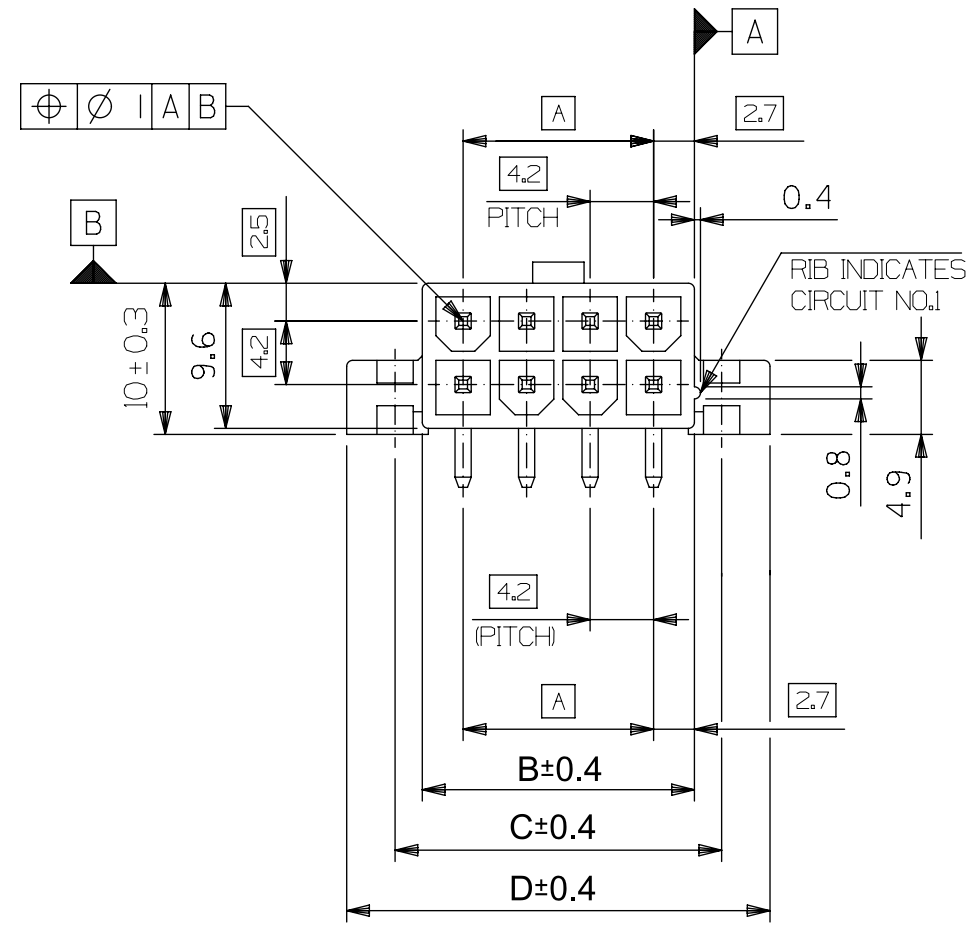
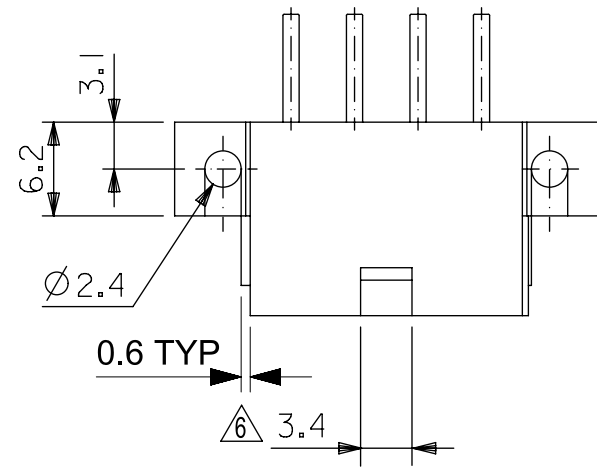
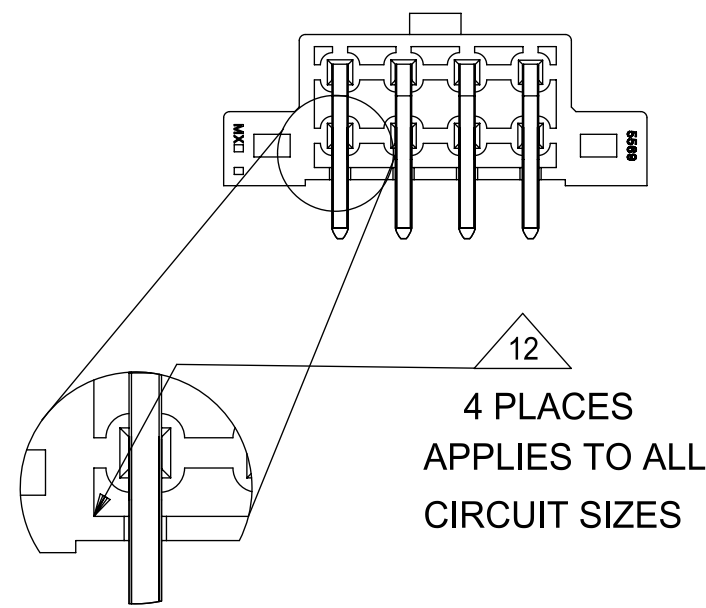


| ENG. NO.        | HEADER MATERIAL                   | FINISH OF PIN   |
|-----------------|-----------------------------------|---|
| 5569-NA1        | NYLON 66, UL94V-2, COLOR: NATURAL | MATTE TIN 2.54µm MIN.<br>OVER NICKEL 1.27µm MIN.                        |
| ▲ -NA1-T        | NYLON 66, UL94V-0, COLOR: NATURAL |   |
| -NA1-210        | NYLON 66, UL94V-0, COLOR: BLACK   |   |
| -NA1-210-T      | NYLON 66, UL94V-2, COLOR: NATURAL |   |
| -NA1-400        | NYLON 66, UL94V-0, COLOR: NATURAL | GOLD 0.76µm MIN. AND<br>TIN OVER 2.54µm MIN.<br>OVER NICKEL 1.27µm MIN. |
| -NAG1           | NYLON 66, UL94V-0, COLOR: BLACK   |   |
| -NA1G-T         | NYLON 66, UL94V-2, COLOR: NATURAL |   |
| -NAG1-210       | NYLON 66, UL94V-0, COLOR: NATURAL |   |
| -NA1G-210-T     | NYLON 66, UL94V-2, COLOR: NATURAL | GOLD 0.38µm MIN. AND<br>TIN OVER 2.54µm MIN.<br>OVER NICKEL 1.27µm MIN. |
| -NA1G-400       | NYLON 66, UL94V-0, COLOR: NATURAL |   |
| -NAIGS2         | NYLON 66, UL94V-0, COLOR: NATURAL |   |
| -NAIGS2-210     | NYLON 66, UL94V-0, COLOR: NATURAL | GOLD 1.27µm MIN. AND<br>TIN OVER 2.54µm MIN.<br>OVER NICKEL 1.27µm MIN. |
| -NAIGS3         | NYLON 66, UL94V-0, COLOR: NATURAL |   |
| 5569-NAIGS3-210 | NYLON 66, UL94V-0, COLOR: NATURAL |   |



RECOMMENDED PCB HOLE LAYOUT  
VIEWED FROM COMPONENT SIDE  
1.78 MAX. THICK P.C. BOARD

- NOTES:
- MATERIAL:  
HOUSING MATERIAL: SEE CHART  
TERMINAL MATERIAL: BRASS ALLOY
  - FINISH: SEE CHART
  - PRODUCT SPECIFICATION: PS-5556-001
  - PACKAGING SPECIFICATION: SEE CHART  
BULK PACKED PER PK-5569-NA\* OR PK-5569-002  
TRAY PACKED PER PK-5569-004, 39295083 IS TRAY PACKED
  - MATES WITH 5557 SERIES MINIFIT JR RECEPTACLE
  - FOR THE 2 CIRCUITS HEADER, THIS DIMENSION IS 4.2 MM
  - DISCOLORATION IN THE BANDOLIER CARRIER AREA OF THE PIN IS INHERENT TO THE PLATING PROCESS AND IS DUE TO THE MASKING EFFECT OF THE CARRIER. THIS DISCOLORATION IS IN A NON-FUNCTIONAL AREA OF THE PIN AND WILL NOT AFFECT THE PERFORMANCE OF THE HEADER ASSEMBLY.
  - PARTS ARE NOT DESIGNED FOR CURRENT SHARING.
  - CONNECTORS ARE NOT TO BE MATED OR UNMATED WHILE CIRCUITS ARE LIVE.
  - CONFORMS TO CLASS "B" REQUIREMENTS OF COSMETIC SPECIFICATION PS-45499-002.
  - FORMING MARKS ON PINS ARE ACCEPTABLE.
  - CORNER CORE-OUTS ARE OPTIONAL AND MAY OR MAY NOT BE PRESENT.
  - TEXT ON PART IS FOR REFERENCE ONLY. TEXT AND TEXT LOCATION MAY VARY DEPENDING ON PART NUMBER AND/OR TOOL.



|      |      |      |      |    |
|------|------|------|------|----|
| 61.6 | 55.2 | 51.6 | 46.2 | 24 |
| 57.4 | 51   | 47.4 | 42   | 22 |
| 53.2 | 46.8 | 43.2 | 37.8 | 20 |
| 49   | 42.6 | 39   | 33.6 | 18 |
| 44.8 | 38.4 | 34.8 | 29.4 | 16 |
| 40.6 | 34.2 | 30.6 | 25.2 | 14 |
| 36.4 | 30   | 26.4 | 21   | 12 |
| 32.2 | 25.8 | 22.2 | 16.8 | 10 |
| 28   | 21.6 | 18   | 12.6 | 8  |
| 23.8 | 17.4 | 13.8 | 8.4  | 6  |
| 19.6 | 13.2 | 9.6  | 4.2  | 4  |
| 15.4 | 9    | 5.4  | —    | 2  |

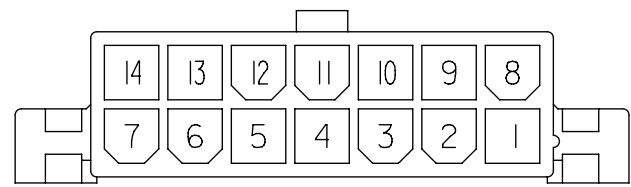
| RELEASE STATUS | RELEASE DATE | NO. OF CIRCUITS |
|----------------|--------------|-----------------|
| D              | C            | B               |

| QUALITY SYMBOLS | THIS DRAWING CONTAINS INFORMATION THAT IS PROPRIETARY TO MOLEX ELECTRONIC TECHNOLOGIES, LLC AND SHOULD NOT BE USED WITHOUT WRITTEN PERMISSION |  |      |                 |                        |
|-----------------|---|--|------|-----------------|------------------------|
| ▽ = 0           | ADD TRAY PACK PINS<br>EC NO: 114742<br>DRWN: CSLAFTER<br>CHKD: JBELL<br>REV   APPR: FSMITH<br>2017/03/20<br>2017/04/07<br>2017/04/11          | GENERAL TOLERANCES (UNLESS SPECIFIED)                |      | DIMENSION UNITS | SCALE                  |
| ▽ = 0           |   | MM   | INCH | MM ONLY         | 2:1                    |
| ▽ = 0           |   | 4 PLACES ±   | ±    | DRWN BY         | DATE                   |
| ▽ = 0           |   | 3 PLACES ±   | ±    | H. HIRAMOTO     | '90/04/23              |
| ▽ = 0           |   | 2 PLACES ± 0.2                                       | ±    | CHK'D BY        | DATE                   |
| ▽ = 0           |   | 1 PLACES ± 0.38                                      | ±    | M. FUKUSHIMA    | '91/07/04              |
| ▽ = 0           |   | 0 PLACES ±   | ±    | APPR BY         | DATE                   |
| ▽ = 0           |   | ANGULAR TOL ± 3.0                                    |      | M. ENOMOTO      | '91/07/04              |
| ▽ = 0           |   | DRAFT WHERE APPLICABLE MUST REMAIN WITHIN DIMENSIONS |      | DRAWING SIZE    | THIRD ANGLE PROJECTION |
| ▽ = 0           |   | M4   |      | C               |                        |

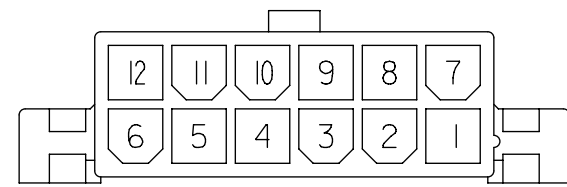
MINI FIT JR RIGHT ANGLE  
HEADER ASSY WITH FLANGES

PRODUCT CUSTOMER DRAWING

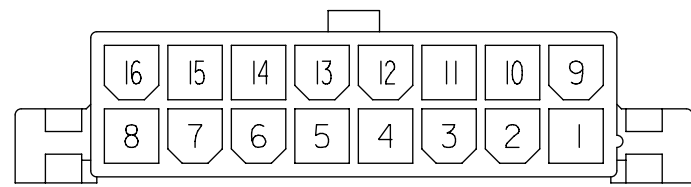
|                 |                 |                |
|-----------------|-----------------|----------------|
| SERIES          | MATERIAL NUMBER | CUSTOMER       |
| 5569            | SEE CHART       | GENERAL MARKET |
| DOCUMENT NUMBER | DOC TYPE        | DOC PART       |
| SD-5569-002     | PSD             | 000            |
| SHEET NUMBER    | 1 OF 2          |                |



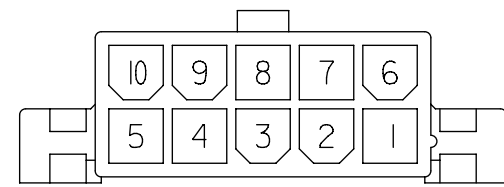
14 CKTS.



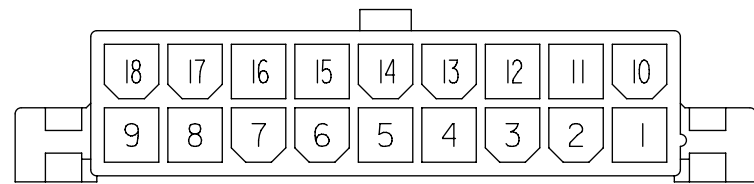
12 CKTS.



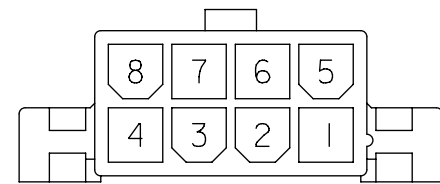
16 CKTS.



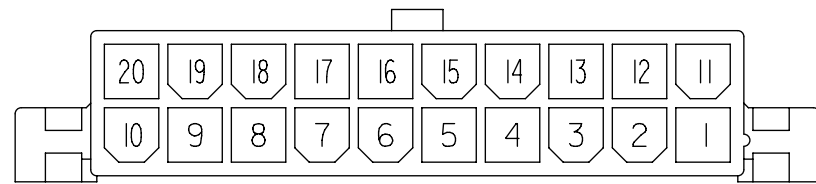
10 CKTS.



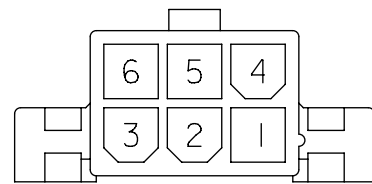
18 CKTS.



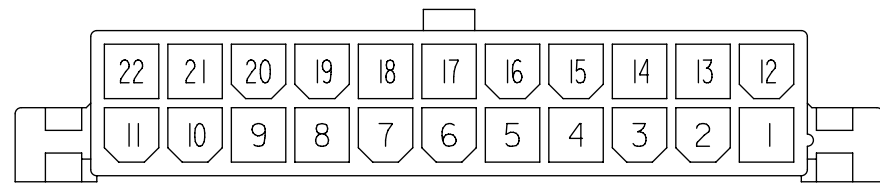
8 CKTS.



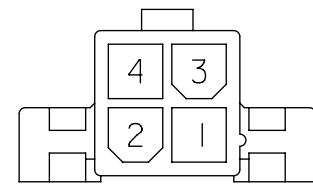
20 CKTS.



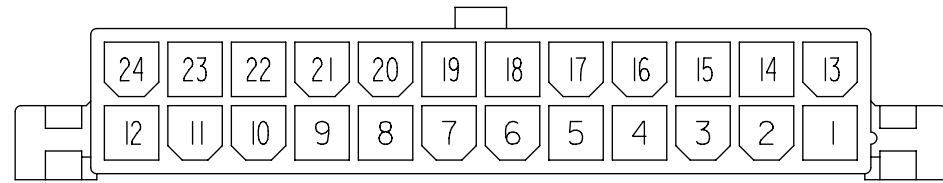
6 CKTS.



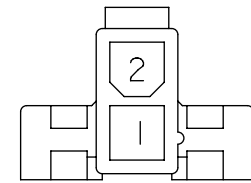
22 CKTS.



4 CKTS.



24 CKTS.



2 CKTS.

CIRCUIT SIZE LAYOUT  
(SCALE 2:1)

| TRAY PACKED     |                  |                |                 |              | BULK PACKED     |                  |                 |                  |              |
|-----------------|------------------|----------------|-----------------|--------------|-----------------|------------------|-----------------|------------------|--------------|
| EDP NO.         | ENG. NO.         | EDP NO.        | ENG. NO.        | CIRCUIT SIZE | EDP NO.         | ENG. NO.         | EDP NO.         | ENG. NO.         | CIRCUIT SIZE |
| 46999-0859      | 5569-24A1G-210-T | 46999-0835     | 5569-24A1-210-T | 24           | 39-29-4249      | 5569-24AG1-210   | 39-29-1247      | 5569-24A1-210    | 24           |
| ▲ -0858         | ▲ -22A1G-210-T   | ▲ -0834        | ▲ -22A1-210-T   | 22           | ▲ -4229         | ▲ -22AG1-210     | ▲ -1227         | ▲ -22A1-210      | 22           |
| ▲ -0857         | ▲ -20A1G-210-T   | ▲ -0833        | ▲ -20A1-210-T   | 20           | ▲ -4209         | ▲ -20AG1-210     | ▲ -1207         | ▲ -20A1-210      | 20           |
| ▲ -0856         | ▲ -18A1G-210-T   | ▲ -0832        | ▲ -18A1-210-T   | 18           | ▲ -4189         | ▲ -18AG1-210     | ▲ -1187         | ▲ -18A1-210      | 18           |
| ▲ -0855         | ▲ -16A1G-210-T   | ▲ -0831        | ▲ -16A1-210-T   | 16           | ▲ -4169         | ▲ -16AG1-210     | ▲ -1167         | ▲ -16A1-210      | 16           |
| ▲ -0854         | ▲ -14A1G-210-T   | ▲ -0830        | ▲ -14A1-210-T   | 14           | ▲ -4149         | ▲ -14AG1-210     | ▲ -1147         | ▲ -14A1-210      | 14           |
| ▲ -0853         | ▲ -12A1G-210-T   | ▲ -0829        | ▲ -12A1-210-T   | 12           | ▲ -4129         | ▲ -12AG1-210     | ▲ -1127         | ▲ -12A1-210      | 12           |
| ▲ -0852         | ▲ -10A1G-210-T   | ▲ -0828        | ▲ -10A1-210-T   | 10           | ▲ -4109         | ▲ -10AG1-210     | ▲ -1107         | ▲ -10A1-210      | 10           |
| ▲ -0851         | ▲ -08A1G-210-T   | ▲ -0827        | ▲ -08A1-210-T   | 8            | ▲ -4089         | ▲ -08AG1-210     | ▲ -1087         | ▲ -08A1-210      | 8            |
| ▲ -0850         | ▲ -06A1G-210-T   | ▲ -0826        | ▲ -06A1-210-T   | 6            | ▲ -4069         | ▲ -06AG1-210     | ▲ -1067         | ▲ -06A1-210      | 6            |
| ▼ -0849         | ▼ -04A1G-210-T   | ▼ -0825        | ▼ -04A1-210-T   | 4            | ▼ -4049         | ▼ -04AG1-210     | ▼ -1047         | ▼ -04A1-210      | 4            |
| 46999-0848      | 5569-02A1G-210-T | 46999-0824     | 5569-02A1-210-T | 2            | 39-29-4029      | 5569-02AG1-210   | 39-29-1027      | 5569-02A1-210    | 2            |
| EDP NO.         | ENG. NO.         | EDP NO.        | ENG. NO.        | CIRCUIT SIZE | EDP NO.         | ENG. NO.         | EDP NO.         | ENG. NO.         | CIRCUIT SIZE |
| 5569-NA1G-210-T |                  | 5569-NA1-210-T |                 |              | 5569-NAG1-210   |                  | 5569-NA1-210    |                  |              |
| 46999-0847      | 5569-24A1G-T     | 46999-0823     | 5569-24A1-T     | 24           | 39-29-5243      | 5569-24AG1       | 39-29-1248      | 5569-24A1        | 24           |
| ▲ -0846         | ▲ -22A1G-T       | ▲ -0822        | ▲ -22A1-T       | 22           | ▲ -5223         | ▲ -22AG1         | ▲ -1228         | ▲ -22A1          | 22           |
| ▲ -0845         | ▲ -20A1G-T       | ▲ -0821        | ▲ -20A1-T       | 20           | ▲ -5203         | ▲ -20AG1         | ▲ -1208         | ▲ -20A1          | 20           |
| ▲ -0844         | ▲ -18A1G-T       | ▲ -0820        | ▲ -18A1-T       | 18           | ▲ -5183         | ▲ -18AG1         | ▲ -1188         | ▲ -18A1          | 18           |
| ▲ -0843         | ▲ -16A1G-T       | ▲ -0819        | ▲ -16A1-T       | 16           | ▲ -5163         | ▲ -16AG1         | ▲ -1168         | ▲ -16A1          | 16           |
| ▲ -0842         | ▲ -14A1G-T       | ▲ -0818        | ▲ -14A1-T       | 14           | ▲ -5143         | ▲ -14AG1         | ▲ -1148         | ▲ -14A1          | 14           |
| ▲ -0841         | ▲ -12A1G-T       | ▲ -0817        | ▲ -12A1-T       | 12           | ▲ -5123         | ▲ -12AG1         | ▲ -1128         | ▲ -12A1          | 12           |
| ▲ -0840         | ▲ -10A1G-T       | ▲ -0816        | ▲ -10A1-T       | 10           | ▲ -5103         | ▲ -10AG1         | ▲ -1108         | ▲ -10A1          | 10           |
| ▲ -0839         | ▲ -08A1G-T       | ▲ -0815        | ▲ -08A1-T       | 8            | ▲ -5083         | ▲ -08AG1         | ▲ -1088         | ▲ -08A1          | 8            |
| ▲ -0838         | ▲ -06A1G-T       | ▲ -0814        | ▲ -06A1-T       | 6            | ▲ -5063         | ▲ -06AG1         | ▲ -1068         | ▲ -06A1          | 6            |
| ▼ -0837         | ▼ -04A1G-T       | ▼ -0813        | ▼ -04A1-T       | 4            | ▼ -5043         | ▼ -04AG1         | ▼ -1048         | ▼ -04A1          | 4            |
| 46999-0836      | 5569-02A1G-T     | 46999-0812     | 5569-02A1-T     | 2            | 39-29-5023      | 5569-02AG1       | 39-29-1028      | 5569-02A1        | 2            |
| EDP NO.         | ENG. NO.         | EDP NO.        | ENG. NO.        | CIRCUIT SIZE | EDP NO.         | ENG. NO.         | EDP NO.         | ENG. NO.         | CIRCUIT SIZE |
| 5569-NA1G-T     |                  | 5569-NA1-T     |                 |              | 5569-NAG1       |                  | 5569-NA1        |                  |              |
|                 |                  |                |                 |              |                 |                  |                 |                  | 24           |
|                 |                  |                |                 |              |                 |                  |                 |                  | 22           |
|                 |                  |                |                 |              |                 |                  |                 |                  | 20           |
|                 |                  |                |                 |              |                 |                  |                 |                  | 18           |
|                 |                  |                |                 |              |                 |                  |                 |                  | 16           |
|                 |                  |                |                 |              |                 |                  |                 |                  | 14           |
|                 |                  |                |                 |              |                 |                  |                 |                  | 12           |
|                 |                  |                |                 |              |                 |                  |                 |                  | 10           |
|                 |                  |                |                 |              |                 |                  |                 |                  | 8            |
|                 |                  |                |                 |              |                 |                  |                 |                  | 6            |
|                 |                  |                |                 |              | 39-34-7045      | 5569-04AIGS3-210 | 39-34-7043      | 5569-04AIGS2-210 | 4            |
|                 |                  |                |                 |              | 39-34-7025      | 5569-02AIGS3-210 | 39-34-7023      | 5569-02AIGS2-210 | 2            |
|                 |                  |                |                 |              | EDP NO.         | ENG. NO.         | EDP NO.         | ENG. NO.         | CIRCUIT SIZE |
| 5569-NA1G-400   |                  | 5569-NA1-400   |                 |              | 5569-NAIGS3-210 |                  | 5569-NAIGS2-210 |                  |              |
| 46999-0791      | 5569-24A1G-400   | 46999-0779     | 5569-24A1-400   | 24           |                 |                  |                 |                  | 24           |
| ▲ -0790         | ▲ -22A1G-400     | ▲ -0778        | ▲ -22A1-400     | 22           |                 |                  |                 |                  | 22           |
| ▲ -0789         | ▲ -20A1G-400     | ▲ -0777        | ▲ -20A1-400     | 20           |                 |                  |                 |                  | 20           |
| ▲ -0788         | ▲ -18A1G-400     | ▲ -0776        | ▲ -18A1-400     | 18           |                 |                  |                 |                  | 18           |
| ▲ -0787         | ▲ -16A1G-400     | ▲ -0775        | ▲ -16A1-400     | 16           |                 |                  |                 |                  | 16           |
| ▲ -0786         | ▲ -14A1G-400     | ▲ -0774        | ▲ -14A1-400     | 14           |                 |                  |                 |                  | 14           |
| ▲ -0785         | ▲ -12A1G-400     | ▲ -0773        | ▲ -12A1-400     | 12           |                 |                  |                 |                  | 12           |
| ▲ -0784         | ▲ -10A1G-400     | ▲ -0772        | ▲ -10A1-400     | 10           |                 |                  |                 |                  | 10           |
| ▲ -0783         | ▲ -08A1G-400     | ▲ -0771        | ▲ -08A1-400     | 8            |                 |                  |                 |                  | 8            |
| ▲ -0782         | ▲ -06A1G-400     | ▲ -0770        | ▲ -06A1-400     | 6            |                 |                  |                 |                  | 6            |
| ▼ -0781         | ▼ -04A1G-400     | ▼ -0769        | ▼ -04A1-400     | 4            | 39-34-7044      | 5569-04AIGS3     | 39-34-7042      | 5569-04AIGS2     | 4            |
| 46999-0780      | 5569-02A1G-400   | 46999-0768     | 5569-02A1-400   | 2            | 39-34-7024      | 5569-02AIGS3     | 39-34-7022      | 5569-02AIGS2     | 2            |
| EDP NO.         | ENG. NO.         | EDP NO.        | ENG. NO.        | CIRCUIT SIZE | EDP NO.         | ENG. NO.         | EDP NO.         | ENG. NO.         | CIRCUIT SIZE |
| 5569-NA1G-400   |                  | 5569-NA1-400   |                 |              | 5569-NAIGS3     |                  | 5569-NAIGS2     |                  |              |

THIS DRAWING CONTAINS INFORMATION THAT IS PROPRIETARY TO MOLEX ELECTRONIC TECHNOLOGIES, LLC AND SHOULD NOT BE USED WITHOUT WRITTEN PERMISSION

|                 |                    |  |                 |                        |
|-----------------|--------------------|--|-----------------|------------------------|
| QUALITY SYMBOLS | ADD TRAY PACK PINS | GENERAL TOLERANCES (UNLESS SPECIFIED)                | DIMENSION UNITS | SCALE                  |
| ▽ = 0           | 2017/03/20         | MM INCH  | MM ONLY         | 2:1                    |
| ▽ = 0           | 2017/04/07         | 4 PLACES ± ±   | DRWN BY         | DATE                   |
| ▽ = 0           | 2017/04/11         | 3 PLACES ± ±   | H. HIRAMOTO     | '90/04/23              |
| ▼ = 0           | EC NO: 114742      | 2 PLACES ± 0.2 ±                                     | CHK'D BY        | DATE                   |
| ▽ = 0           | DRWN: CSLAFTER     | 1 PLACES ± 0.38 ±                                    | M. FUKUSHIMA    | '91/07/04              |
| ⊠ = 0           | CHK'D: JBELL       | 0 PLACES ± ±   | APPR BY         | DATE                   |
| ■ = 0           | REV: APPR: FSMITH  | ANGULAR TOL ± 3.0                                    | M. ENOMOTO      | '91/07/04              |
| ▽ = 0           |                    | DRAFT WHERE APPLICABLE MUST REMAIN WITHIN DIMENSIONS | DRAWING SIZE    | THIRD ANGLE PROJECTION |
|                 |                    |  | C               |                        |

**molex**

MINI FIT JR RIGHT ANGLE HEADER ASSY WITH FLANGES

PRODUCT CUSTOMER DRAWING

|                 |                 |                |
|-----------------|-----------------|----------------|
| SERIES          | MATERIAL NUMBER | CUSTOMER       |
| 5569            | SEE CHART       | GENERAL MARKET |
| DOCUMENT NUMBER | DOC TYPE        | DOC PART       |
| SD-5569-002     | PSD             | 000            |
| SHEET NUMBER    |                 |                |
| 2 OF 2          |                 |                |