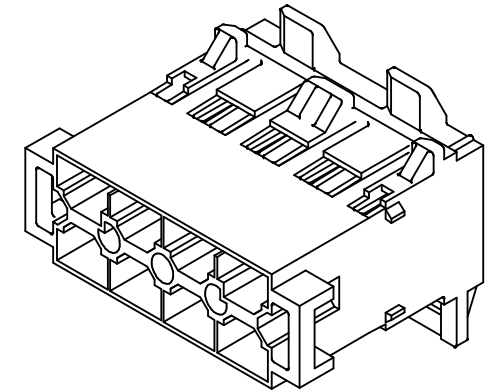
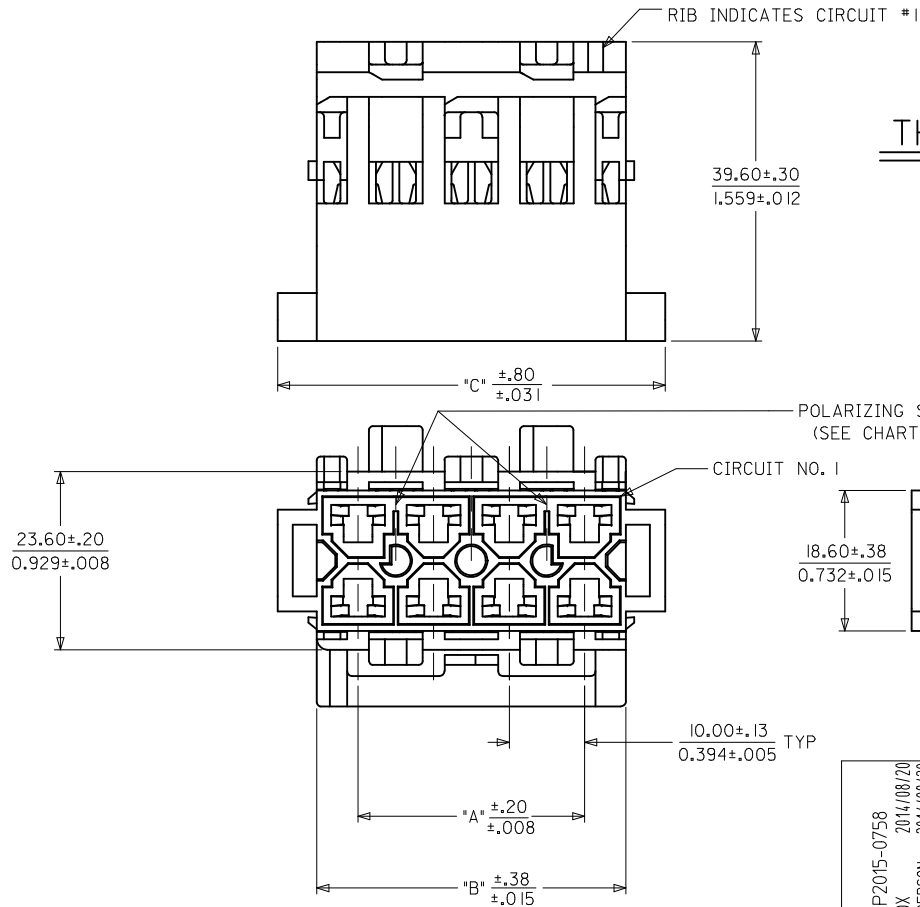


MATERIAL NUMBER	POSITION NUMBER	DIM. "A"	DIM. "B"	DIM. "C"	QUANTITY OF POLARIZING SLOTS	PANEL THICKNESS ACCOMMODATED
43938-2101	6	$\frac{20.00}{.787}$	$\frac{30.90}{1.216}$	$\frac{41.30}{1.626}$	1	$\frac{1.80}{.071}$ / $\frac{2.00}{.079}$
43938-2102	8	$\frac{30.00}{1.181}$	$\frac{40.90}{1.610}$	$\frac{51.30}{2.020}$	2	
43938-2103	10	$\frac{40.00}{1.575}$	$\frac{50.90}{2.004}$	$\frac{61.30}{2.413}$	2	
43938-2104	12	$\frac{50.00}{1.968}$	$\frac{60.90}{2.398}$	$\frac{71.30}{2.807}$	2	
43938-2105	14	$\frac{60.00}{2.362}$	$\frac{70.90}{2.791}$	$\frac{81.30}{3.201}$	2	

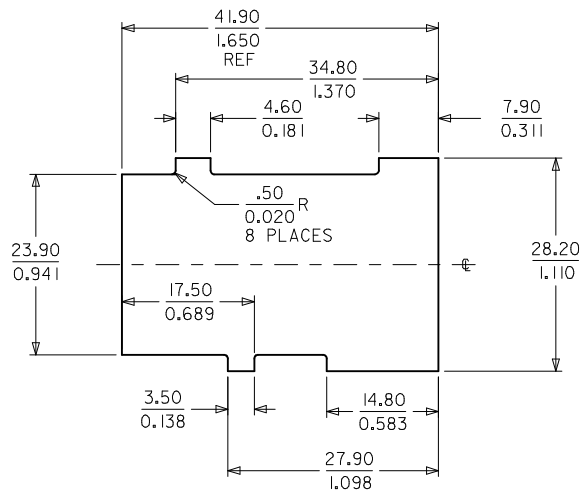
NOTES:

1. MATERIAL: UNFILLED POLYESTER, U.L. 94V-0, COLOR: BLACK
2. FINISH: NONE
3. PRODUCT SPECIFICATION: PS-42815-001
4. PARTS TO BE PACKAGED: 6-10 CKT PER PK-43938-001, 12-14 CKT PER PK-45286-002.
5. THIS PART IS DESIGNED TO USE MALE CRIMP TERMINAL #42817.
6. EACH WIRE MUST BE DRESSED SUCH THAT THE TERMINAL MAINTAINS ITS FREE FLOAT WITHIN THE HOUSING.
7. THIS PART IS DESIGNED TO USE T.P.A. #43980.
8. THIS PART IS DESIGNED TO MATE WITH RECEPTACLE HOUSING #43914.
9. SEE SHEET 2 FOR PANEL CUT-OUT DETAILS.
10. PLOARIZING SLOTS TO BE LOCATED BETWEEN CIRCUITS ON EITHER END OF HOUSING OF THE CIRCUIT 1 ROW AS SHOWN.  
EXCEPTION: THE 6 CIRCUIT HOUSING WILL HAVE A SINGLE SLOT ON THE CIRCUIT 1 END ONLY.

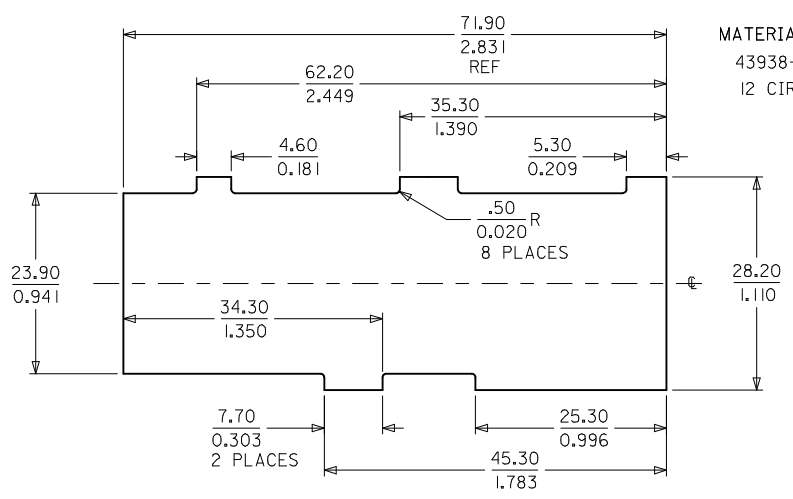
THIS PRODUCT MUST NOT BE USED WITHOUT THE T.P.A.



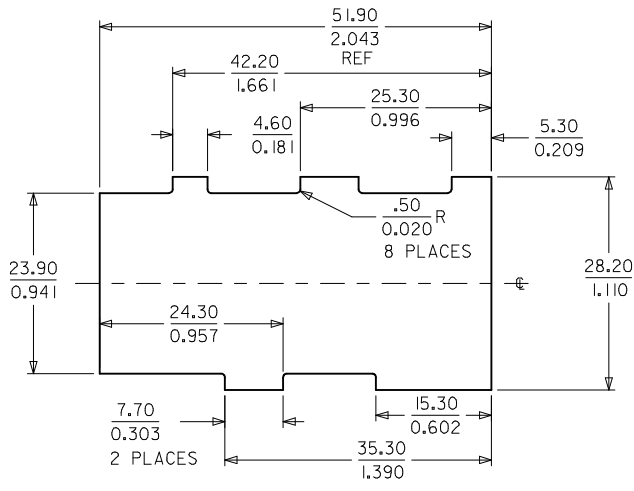
<b>NOTE 4</b> EC NO: UCP2015-0758 DRWN: DFOX 2014/08/20 CHKD: BANDERSON 2014/08/20 APPR: FSMITH 2014/08/25	DESCRIPTION REV: E1	QUALITY SYMBOLS	GENERAL TOLERANCES (UNLESS SPECIFIED)	DIMENSION STYLE	SCALE	DESIGN UNITS	THIRD ANGLE PROJECTION
			mm	MM/IN	2:1	METRIC	
			INCH				
			ANGULAR ±1/2°				
DRAFT WHERE APPLICABLE MUST REMAIN WITHIN DIMENSIONS			SEE CHART	DOCUMENT NO.		TITLE	
			SIZE C	SD-43938-002		DUAL ROW PANEL MT, PLUG 6-14 CKT., BOTTOM LATCH, MINI-FIT SR. SERIES	
			THIS DRAWING CONTAINS INFORMATION THAT IS PROPRIETARY TO MOLEX INCORPORATED AND SHOULD NOT BE USED WITHOUT WRITTEN PERMISSION		molex		SHEET NO. 1 OF 2



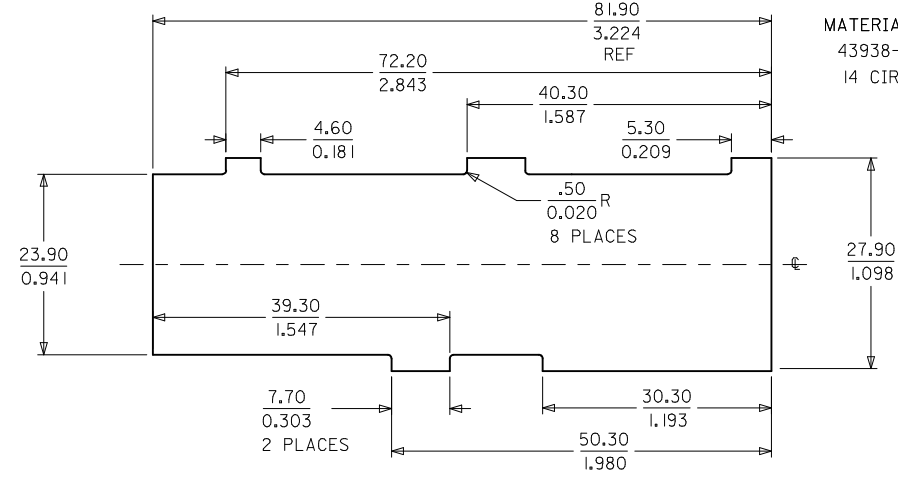
MATERIAL NO.:  
43938-2101  
6 CIRCUIT



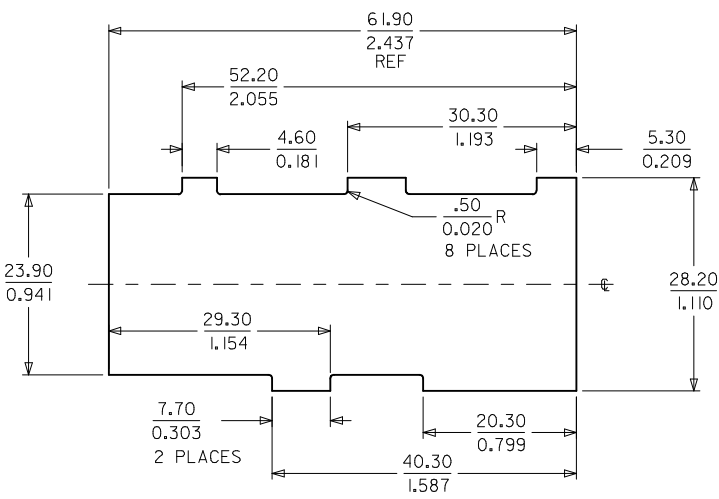
MATERIAL NO.:  
43938-2104  
12 CIRCUIT



MATERIAL NO.:  
43938-1102  
43938-2102  
8 CIRCUIT



MATERIAL NO.:  
43938-2105  
14 CIRCUIT



MATERIAL NO.:  
43938-2103  
10 CIRCUIT

PANEL OPENINGS SHOWN FROM OUTSIDE OF BOX.  
SEE CHART FOR PANEL THICKNESS.

SEE SHEET 1	QUALITY SYMBOLS
EC NO: UCP2015-0758	▽=0
DRW: DFX 2014/08/20	▽=0
CHK: BANDERSON 2014/08/20	▽=0
APP: FSMITH 2014/08/25	
DESCRIPTION	
REV	

GENERAL TOLERANCES (UNLESS SPECIFIED)	
mm	INCH
4 PLACES ± ---	± ---
3 PLACES ± ---	± ---
2 PLACES ± ---	± ---
1 PLACE ± ---	± ---
0 PLACE ± ---	± ---
ANGULAR ±1/2°	
DRAFT WHERE APPLICABLE MUST REMAIN WITHIN DIMENSIONS	

DIMENSION STYLE	
MM/IN	
DRAWN BY	DATE
POLGAR	1998/08/21
CHECKED BY	DATE
COMERC I	1998/10/02
APPROVED BY	DATE
COMERC I	1998/10/02
MATERIAL NO.	
SEE CHART	
SIZE	
C	

SCALE	DESIGN UNITS	THIRD ANGLE PROJECTION
2:1	METRIC	☉
TITLE		
DUAL ROW PANEL MT, PLUG 6-14 CKT., BOTTOM LATCH, MINI-FIT SR. SERIES		
<b>molex</b>		
DOCUMENT NO.	SHEET NO.	
SD-43938-002	2 OF 2	