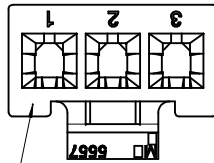
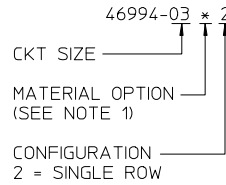
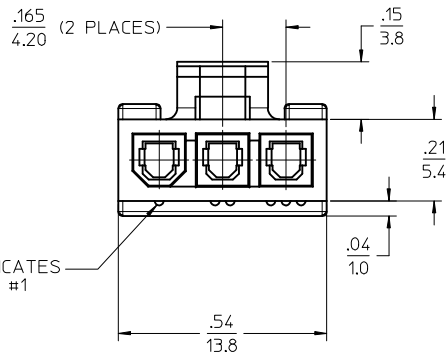
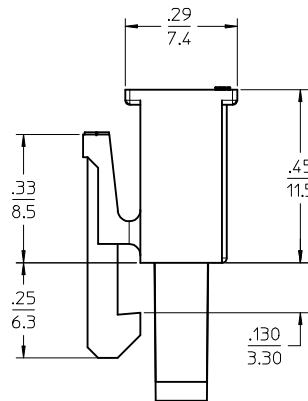
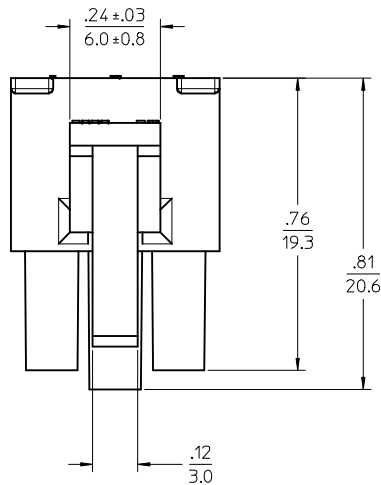


| PART NO.   | ENG. NO.   | CKT SIZE | MATERIAL (SEE NOTE 1) |
|------------|------------|----------|-----------------------|
| 50-29-1662 | 46994-0312 | 3        | UL 94V-2, BLACK       |
| 46994-0302 | 46994-0302 | 3        | UL 94V-2, BEIGE       |

LEGEND



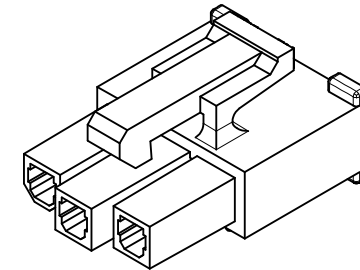
SEE NOTE 11



RIB INDICATES CIRCUIT #1

NOTES:

- MATERIAL:  
 \*0\*=NYLON, UL94V-2, COLOR: NATURAL (BEIGE);  
 IEC 60335-1, 5th EDITION GLOW WIRE CAPABLE  
 \*1\*=NYLON, UL94V-2, COLOR: BLACK;  
 IEC 60335-1, 5th EDITION GLOW WIRE CAPABLE
- FINISH: NOT APPLICABLE
- PRODUCT SPECIFICATION: PS-5556-001
- PACKAGING: PK-5557-002
- PART MATES WITH MOLEX RIGHT ANGLE HEADER #172648-\*\*03, VERTICAL HEADER #172647-\*\*03 AND PLUG #172646-03\*\*.
- PART TO BE USED WITH MOLEX FEMALE TERMINAL #5556.
- WHEN MATING WITH ANOTHER CONNECTOR, THE CENTER CIRCUIT WILL "MAKE FIRST AND BREAK LAST".
- PART IS NOT DESIGNED FOR CURRENT SHARING.
- CONNECTOR ASSEMBLIES ARE NOT TO BE MATED OR UNMATED WHILE CIRCUITS ARE LIVE.
- WIRES ARE TO BE DRESSED IN SUCH A MANNER TO ALLOW THE TERMINALS TO FLOAT FREELY IN THE POCKET.
- "MX" FACTORY ID MAY BE LOCATED ON LATCH OR SURFACE INDICATED. CAVITY NO. MAY BE LOCATED ON EITHER SIDE OF SERIES NO. ON LATCH.
- PART CONFORMS TO CLASS "B" REQUIREMENTS OF COSMETIC SPECIFICATION PS-45499-002 WITH THE EXCEPTION OF DISCOLORATION, FLASH AND SINK MEET CLASS "C" REQUIREMENTS.



|   |  |                                       |                                      |   |  |                               |                        |  |
|---|--|---------------------------------------|--------------------------------------|---|--|-------------------------------|------------------------|--|
| <b>UPDATE NOTE 1</b><br>EC NO: UCP2015-1555<br>DRWN: DFOX 2014/10/14<br>CHKD: JBELL 2014/10/14<br>APPR: FSMITH 2014/10/23 | QUALITY SYMBOLS<br>▽=0<br>▽=0<br>▽=0                 | GENERAL TOLERANCES (UNLESS SPECIFIED) |                                      | DIMENSION STYLE<br><b>IN/MM</b>   | SCALE<br><b>4:1</b>  | DESIGN UNITS<br><b>METRIC</b> | THIRD ANGLE PROJECTION |  |
|   |  | 4 PLACES ± --- ± ---                  | DRAWN BY<br>NNGUYEN                  | DATE<br>2013/04/12  | TITLE<br><b>3 CIRCUIT RECEPTACLE, (MINI-FIT JR.) (MAKE-FIRST/BREAK-LAST)</b> |                               |                        |  |
|   |  | 3 PLACES ± --- ± .010                 | CHECKED BY<br>JBELL                  | DATE<br>2013/04/12  | <b>molex</b>   |                               |                        |  |
|   |  | 2 PLACES ± 0.25 ± .015                | APPROVED BY<br>                      | DATE<br>  | MATERIAL NO.<br><b>SEE CHART</b>   |                               |                        |  |
| 1 PLACE ± 0.38 ± ---  | ANGULAR ±1/2°  |                                       | DOCUMENT NO.<br><b>SD-46994-0001</b> |   | SHEET NO.<br><b>1 OF 1</b>   |                               |                        |  |
| 0 PLACE ± ±   | DRAFT WHERE APPLICABLE MUST REMAIN WITHIN DIMENSIONS |                                       | SIZE<br><b>C</b>                     | THIS DRAWING CONTAINS INFORMATION THAT IS PROPRIETARY TO MOLEX INCORPORATED AND SHOULD NOT BE USED WITHOUT WRITTEN PERMISSION |  |                               |                        |  |
| <b>A2</b>   | REV  |                                       |                                      |   |  |                               |                        |  |