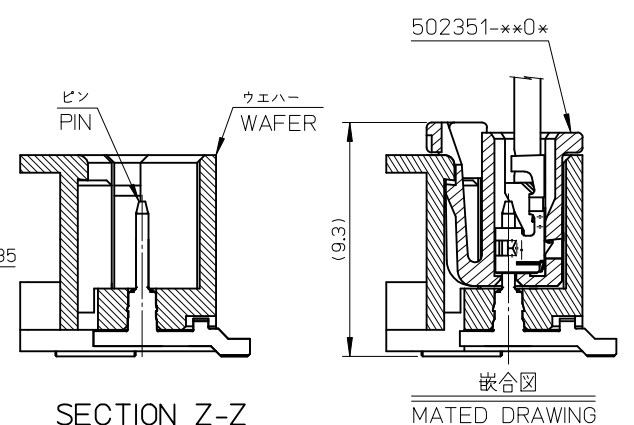
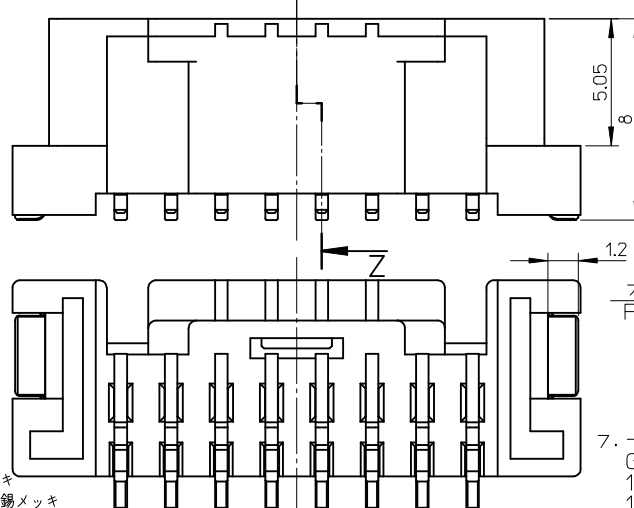


参考基板レイアウト (N=極数)
PCB PATTERN LAYOUT (N:CIRCUIT)

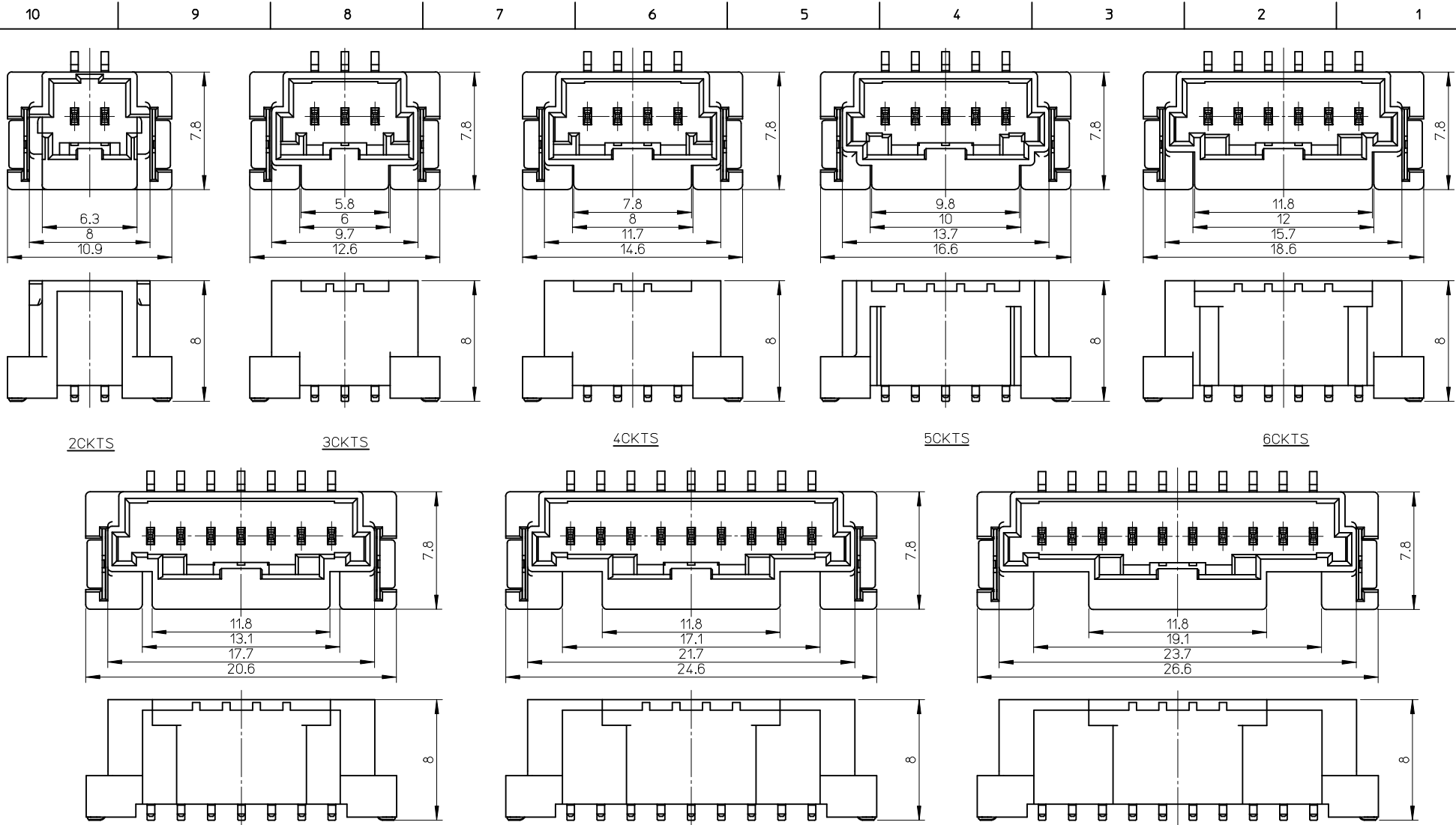


注記
NOTES

- 材質
ウエハー: 耐熱性ナイロン UL94V-0
ピン: 銅合金、ニッケル下地、錫メッキ、金メッキ
フィッティングネール: 銅合金、ニッケル下地、錫メッキ
MATERIAL
WAFER: POLYAMIDE UL94V-0
PIN: COPPER ALLOY, GOLD OR TIN OVER NICKEL PLATE.
FITTING NAIL: COPPER ALLOY, TIN OVER NICKEL PLATE.
- 色: ナチュラル、黒、赤、青
COLOR: NATURAL, BLACK, RED, BLUE
- 嵌合相手:
ハウジング: 502351-xx0*
錫メッキ端子: 50212-8*00, 50372-8*00, 560085-0101
金メッキ端子: 56161-8*81
MATES WITH
HOUSING: 502351-xx0*
SN PLATING TERMINAL: 50212-8*00, 50372-8*00, 560085-0101
AU PLATING TERMINAL: 56161-8*81
- エンボス梱包品の詳細はSD-560020-002参照
DETAILED TAPING PACKAGE, SEE SD-560020-002
- ELV及びRoHS適合
ELV AND ROHS COMPLIANT
- 半田付け面のコプラナリティ: 0.1mm MAX.
CO-PLANARITY OF SOLDER TAILS TO BE 0.1mm MAX.

- 一般公差
GENERAL TOLERANCES
10 UNDER: 0.2
10 OVER 30 UNDER: 0.25
30 OVER: 0.3
ANGULAR ± 1°

REVISED EC NO: JTR2016-0015 DRW: KIKUNAGA I02 2016/03/01 CHK: D-HKOMATSU 2016/03/04 APPR: MAYAMOTO 2016/03/08	QUALITY SYMBOLS F=0 G=0 P=0	GENERAL TOLERANCES (UNLESS SPECIFIED)		DIMENSION STYLE MM ONLY	SCALE 5:1	DESIGN UNITS METRIC	THIRD ANGLE PROJECTION		
		4 PLACES ± --- ± ---	3 PLACES ± --- ± ---	2 PLACES ± --- ± ---	1 PLACE ± --- ± ---	0 PLACE ± --- ± ---	DRAWN BY SHSHIBATA DATE 2009/02/18		
		ANGULAR ± - °					CHECKED BY HKOMATSU DATE 2009/02/18		
		DRAFT WHERE APPLICABLE MUST REMAIN WITHIN DIMENSIONS					APPROVED BY AKANESHIGE DATE 2009/02/18		
SEE CHART				TITLE 2.0MM PITCH W/B CONN. WAFER ASSY ST. SMT					
MATERIAL NO.				DOCUMENT NO. SD-560020-001					
SIZE A3				THIS DRAWING CONTAINS INFORMATION THAT IS PROPRIETARY TO MOLEX INCORPORATED AND SHOULD NOT BE USED WITHOUT WRITTEN PERMISSION					
				SHEET NO. 1 OF 4					



2CKTS

3CKTS

4CKTS

5CKTS

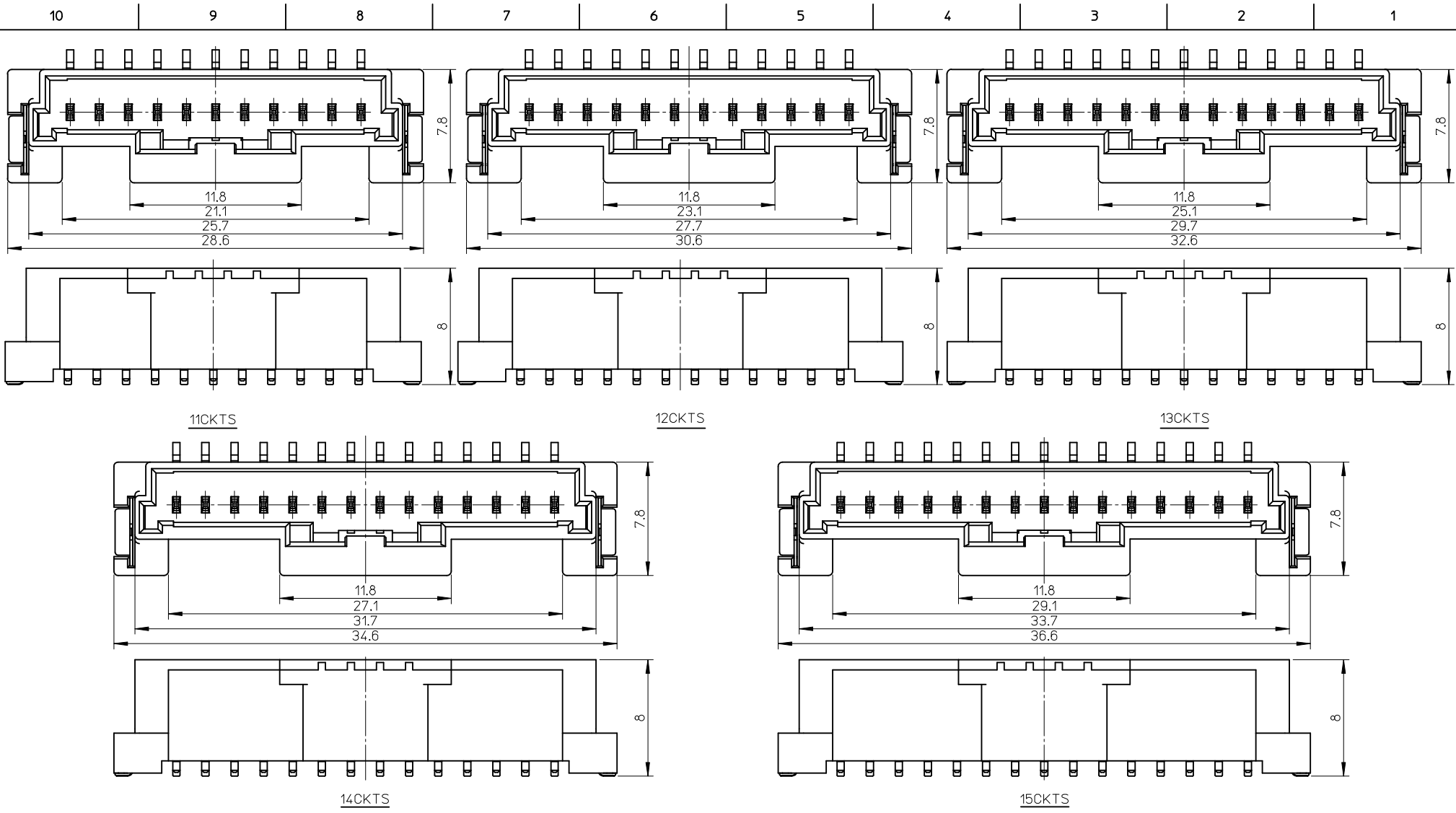
6CKTS

7CKTS

9CKTS

10CKTS

REVISED EC NO: JTR2016-0015 G DRW:KINAGAI02 2016/03/01 CHKD:HKOMATSU 2016/03/04 APPR:YAYAMOTO 2016/03/08	QUALITY SYMBOLS $\nabla = 0$ $\nabla = 0$ $\nabla = 0$	GENERAL TOLERANCES (UNLESS SPECIFIED)		DIMENSION STYLE MM ONLY	SCALE 4:1	DESIGN UNITS METRIC	THIRD ANGLE PROJECTION	
		4 PLACES ± --- ± ---	3 PLACES ± --- ± ---	DRAWN BY SHSHIBATA	DATE 2009/02/18	TITLE 2.0MM PITCH W/B CONN. WAFER ASSY ST. SMT		
		2 PLACES ± --- ± ---	1 PLACE ± --- ± ---	CHECKED BY HKOMATSU	DATE 2009/02/18	molex		
		0 PLACE ± --- ± ---	ANGULAR ± - °	APPROVED BY AKANESHIGE	DATE 2009/02/18	MATERIAL NO.	DOCUMENT NO. SD-560020-001	SHEET NO. 2 OF 4
DRAFT WHERE APPLICABLE MUST REMAIN WITHIN DIMENSIONS		SEE CHART		THIS DRAWING CONTAINS INFORMATION THAT IS PROPRIETARY TO MOLEX INCORPORATED AND SHOULD NOT BE USED WITHOUT WRITTEN PERMISSION				



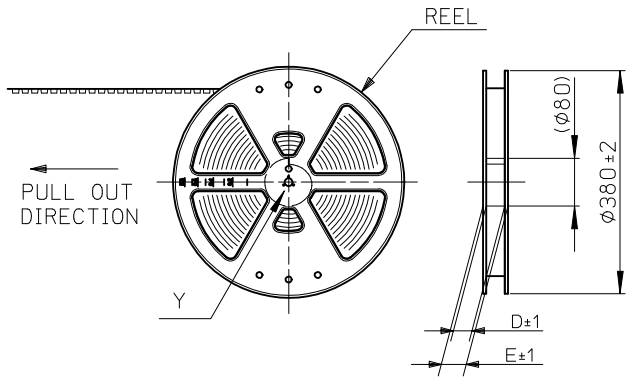
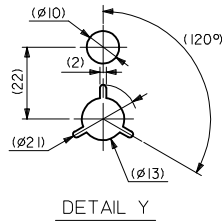
REVISED EC NO: JTR2016-0015 G DRW:KNAGA I02 2016/03/01 CHKD:HKOMATSU 2016/03/04 APPR:MIYAMOTO 2016/03/08	QUALITY SYMBOLS $\nabla = 0$ $\nabla = 0$ $\nabla = 0$	GENERAL TOLERANCES (UNLESS SPECIFIED)		DIMENSION STYLE MM ONLY	SCALE 4:1	DESIGN UNITS METRIC	THIRD ANGLE PROJECTION	
				DRAWN BY SHSHIBATA	DATE 2009/02/18	TITLE 2.0MM PITCH W/B CONN. WAFER ASSY ST. SMT		
				CHECKED BY HKOMATSU	DATE 2009/02/18	molex		
				APPROVED BY AKANESHIGE	DATE 2009/02/18	MATERIAL NO.	DOCUMENT NO. SD-560020-001	SHEET NO. 3 OF 4
		DRAFT WHERE APPLICABLE MUST REMAIN WITHIN DIMENSIONS		SEE CHART	THIS DRAWING CONTAINS INFORMATION THAT IS PROPRIETARY TO MOLEX INCORPORATED AND SHOULD NOT BE USED WITHOUT WRITTEN PERMISSION			

	10	9	8	7	6	5	4	3	2	1				
F	Sn NATURAL	11.8	29.1	33.7	36.6	560020-1520	15	Au NATURAL	11.8	29.1	33.7	36.6	560020-1530	15
		11.8	27.1	31.7	34.6	560020-1420	14		11.8	27.1	31.7	34.6	560020-1430	14
		11.8	25.1	29.7	32.6	560020-1320	13		11.8	25.1	29.7	32.6	560020-1330	13
		11.8	23.1	27.7	30.6	560020-1220	12		11.8	23.1	27.7	30.6	560020-1230	12
		11.8	21.1	25.7	28.6	560020-1120	11		11.8	21.1	25.7	28.6	560020-1130	11
		11.8	19.1	23.7	26.6	560020-1020	10		11.8	19.1	23.7	26.6	560020-1030	10
		11.8	17.1	21.7	24.6	560020-0920	9		11.8	17.1	21.7	24.6	560020-0930	9
		11.8	15.1	19.7	22.6	560020-0800/-0820	8		11.8	15.1	19.7	22.6	560020-0830	8
		11.8	13.1	17.7	20.6	560020-0700/-0720	7		11.8	13.1	17.7	20.6	560020-0730	7
		11.8	12	15.7	18.6	560020-0600/-0620	6		11.8	12	15.7	18.6	560020-0630	6
E	PLATING	D	C	B	A	EMBOSSED PACKAGE ORDER NO.	CKTS	PLATING	D	C	B	A	EMBOSSED PACKAGE ORDER NO.	CKTS
		9.8	10	13.7	16.6	560020-0500/-0520	5		9.8	10	13.7	16.6	560020-0530	5
		7.8	8	11.7	14.6	560020-0400/-0420	4		7.8	8	11.7	14.6	560020-0430	4
		5.8	6	9.7	12.6	560020-0300/-0320	3		5.8	6	9.7	12.6	560020-0330	3
	6.3	8.0	10.9	560020-0200/-0220	2		6.3	8.0	10.9	560020-0230	2			
CONNECTOR SERIES NO. 560020-**08							CONNECTOR SERIES NO. 560020-**18							

	10	9	8	7	6	5	4	3	2	1				
D	Sn BLACK	/	/	/	/	/	/	/	/	/	15			
		/	/	/	/	/	/	/	/	/	/	14		
		/	/	/	/	/	/	/	/	/	/	13		
		/	/	/	/	/	/	/	/	/	/	12		
		/	/	/	/	/	/	/	/	/	/	11		
		/	/	/	/	/	/	/	/	/	/	10		
		11.8	15.1	19.7	22.6	560020-0821	8	Sn RED	11.8	15.1	19.7	22.6	560020-0822	8
		/	/	/	/	/	/		11.8	15.1	19.7	22.6	560020-0822	8
		/	/	/	/	/	/		11.8	12	15.7	18.6	560020-0621	6
		/	/	/	/	/	/		11.8	12	15.7	18.6	560020-0622	6
/	/	/	/	/	/	11.8	12		15.7	18.6	560020-0622	6		
/	/	/	/	/	/	11.8	12		15.7	18.6	560020-0622	6		
7.8	8	11.7	14.6	560020-0421	4	7.8	8		11.7	14.6	560020-0422	4		
5.8	6	9.7	12.6	560020-0321	3	5.8	6		9.7	12.6	560020-0322	3		
6.3	8.0	10.9	560020-0221	2	6.3	8.0	10.9		560020-0222	2				
C	PLATING	D	C	B	A	EMBOSSED PACKAGE ORDER NO.	CKTS		PLATING	D	C	B	A	EMBOSSED PACKAGE ORDER NO.
		11.8	12	15.7	18.6	560020-0621	6	11.8		12	15.7	18.6	560020-0623	6
		7.8	8	11.7	14.6	560020-0421	4	7.8		8	11.7	14.6	560020-0423	4
		5.8	6	9.7	12.6	560020-0321	3	5.8		6	9.7	12.6	560020-0323	3
	6.3	8.0	10.9	560020-0221	2		6.3	8.0	10.9	560020-0223	2			
CONNECTOR SERIES NO. 560020-**28							CONNECTOR SERIES NO. 560020-**48							
							CONNECTOR SERIES NO. 560020-**68							

REVISED	EC NO: JTR2016-0015	QUALITY SYMBOLS	GENERAL TOLERANCES (UNLESS SPECIFIED)	DIMENSION STYLE	SCALE	DESIGN UNITS	THIRD ANGLE PROJECTION	
	DRINKNAGA I02 2016/03/01	△=0	mm INCH	MM ONLY	5:1	METRIC		
	CHKD:HKOMATSU 2016/03/04	▽=0	4 PLACES ± --- ± ---	DRAWN BY DATE			TITLE	
	APPR: MAYAMOTO 2016/03/08	▽=0	3 PLACES ± --- ± ---	SHSHIBATA 2009/02/18			2.0MM PITCH W/B CONN. WAFER ASSY ST. SMT	
			2 PLACES ± --- ± ---	CHECKED BY DATE			molex	
			1 PLACE ± --- ± ---	APPROVED BY DATE				
			0 PLACE ± --- ± ---	AKANESHIGE 2009/02/18			DOCUMENT NO.	
			ANGULAR ± - °	MATERIAL NO.			SD-560020-001	
			DRAFT WHERE APPLICABLE MUST REMAIN WITHIN DIMENSIONS	SEE CHART			SHEET NO.	
				SIZE A3	THIS DRAWING CONTAINS INFORMATION THAT IS PROPRIETARY TO MOLEX INCORPORATED AND SHOULD NOT BE USED WITHOUT WRITTEN PERMISSION			4 OF 4

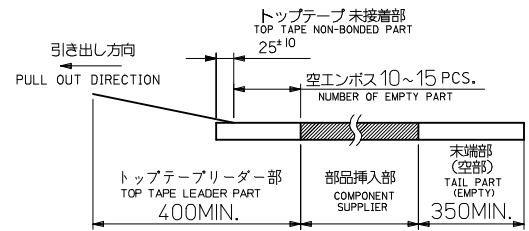
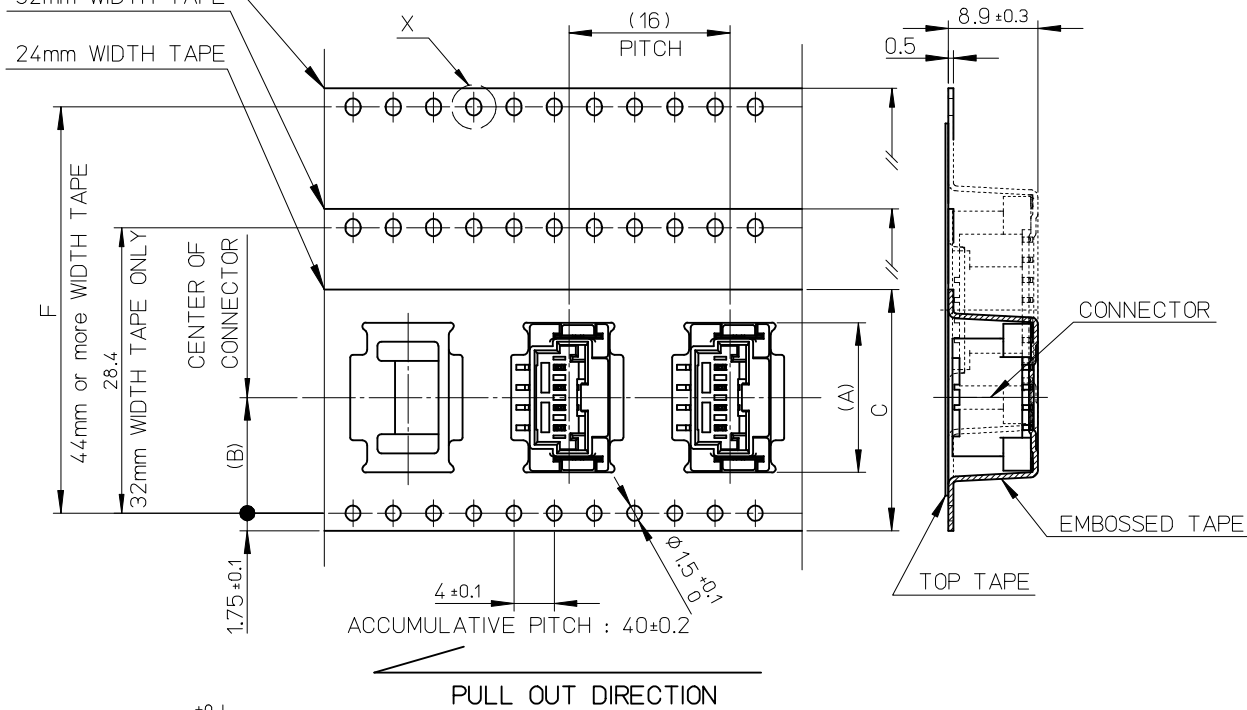
10 9 8 7 6 5 4 3 2 1



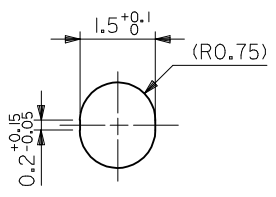
NOTES

- 製品番号:
 ナチュラル・錫めっき 560020-**20
 ナチュラル・金めっき 560020-**30
 黒・錫めっき 560020-**21
 赤・錫めっき 560020-**22
 青・錫めっき 560020-**23
 詳細寸法については、製品単体図面を参照ください。
 PART NO.
 NATURAL・Sn Plating 5600020-**20
 NATURAL・Au Plating 560020-**30
 BLACK・Sn Plating 5600020-**21
 RED・Sn Plating 5600020-**22
 BLUE・Sn Plating 5600020-**23
 SEE SALES DRAWING FOR CONNECTOR
- 梱包数量: 650個/REEL
 NUMBER OF CONNECTORS 650 PCS/REEL
- リードテープ長さ
 LEAD TAPE LENGTH

44mm or more
WIDTH TAPE
32mm WIDTH TAPE
24mm WIDTH TAPE



- 材料
 MATERIAL
 キャリアテープ: ポリスチレン
 CARRIER TAPE: POLYSTYRENE
 トップテープ: PET, PE, PEF
 TOP TAPE
 リール: ポリスチレン
 REEL: POLYSTYRENE
- 一般公差
 GENERAL TOLERANCES
 10 UNDER: 0.2
 10 OVER 30 UNDER: 0.25
 30 OVER: 0.3
 ANGULAR: ±1°



PULL OUT DIRECTION
DIRECTION OF CONNECTOR IN EMBOSSSED TAPE

REVISED EC NO: JTR2016-0015 DRWN:KNAGA102 2016/03/01 CHKD:HKOMATSU 2016/03/04 APPR: MAYAMAMOTO 2016/03/08	QUALITY SYMBOLS F ₁ = 0 F ₂ = 0 F ₃ = 0	GENERAL TOLERANCES (UNLESS SPECIFIED)		DIMENSION STYLE MM ONLY	SCALE 2:1	DESIGN UNITS METRIC	THIRD ANGLE PROJECTION	
		4 PLACES ± --- ± ---	3 PLACES ± --- ± ---	mm	INCH	DRAWN BY DATE YTAMAKI 2014/05/23		
		2 PLACES ± --- ± ---	1 PLACE ± --- ± ---	DRAFT WHERE APPLICABLE MUST REMAIN WITHIN DIMENSIONS		CHECKED BY DATE HKOMATSU 2014/05/23		
		0 PLACE ± --- ± ---	ANGULAR ± - °	APPROVED BY DATE MAYAMAMOTO 2014/06/30			TITLE 2.0MM PITCH W/B ST. WAFER ASSY EMBOSSSED TAPE PACKAGE	
		SEE CHART		DOCUMENT NO. SD-560020-003			SHEET NO. 1 OF 2	
THIS DRAWING CONTAINS INFORMATION THAT IS PROPRIETARY TO MOLEX INCORPORATED AND SHOULD NOT BE USED WITHOUT WRITTEN PERMISSION								

9 8 7 6 5 4 3 2 1

