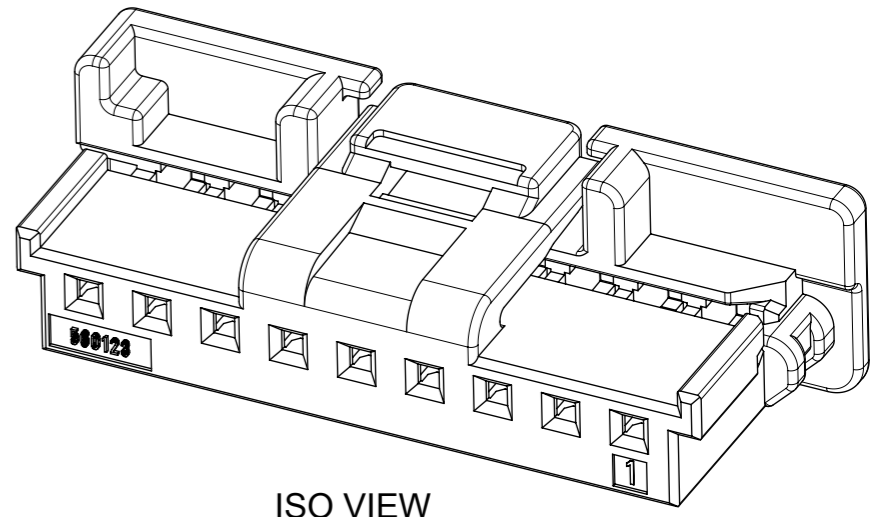
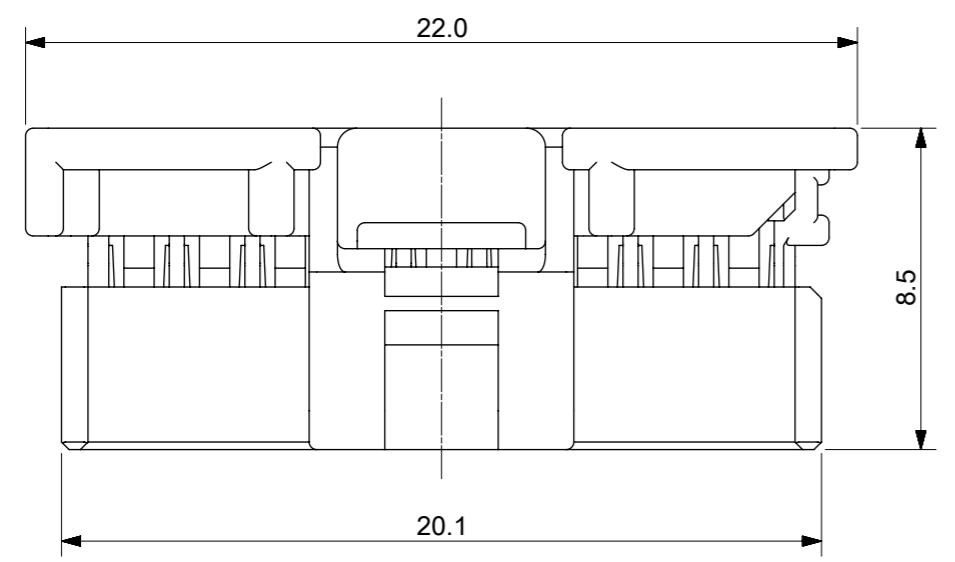
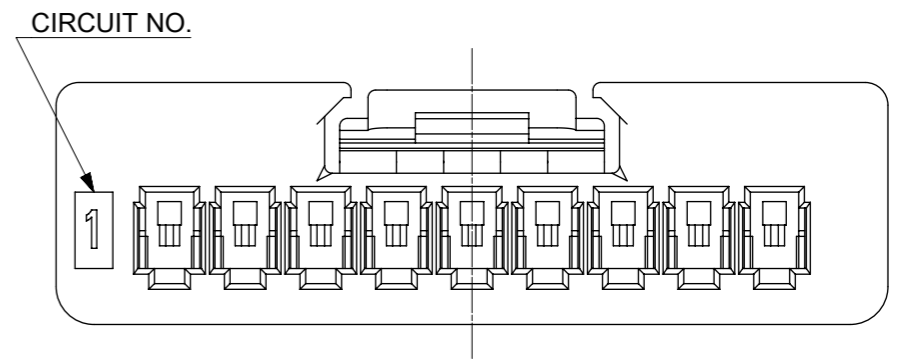
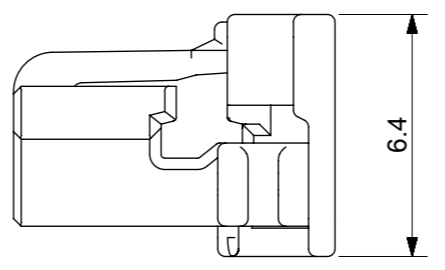
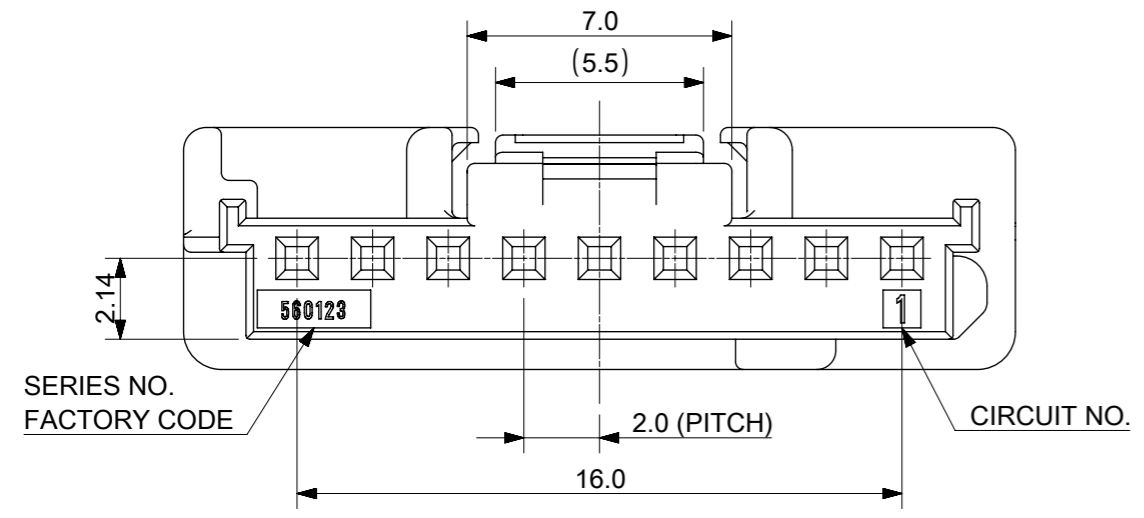


GENERAL TOLERANCE										USED ON
10 MAX	30 MAX	50 MAX	70 MAX	100 MAX	120 MAX	250 MAX	250 OVER	ANGLE	ECCENT	
±0.15	±0.20	±0.30	±0.40	±0.50	±0.75	±0.90	±1.4	±0.5°	0.1	

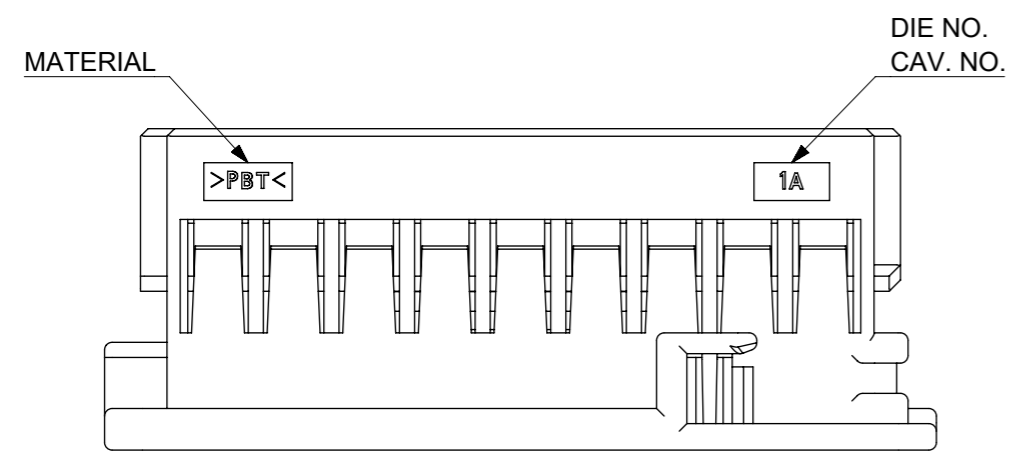


ISO VIEW



- NOTES:
1. MATERIALS : POLYESTER (PBT), GLASS UNFILLED, UL 94V-0
  2. MATE WITH : 502352, 560020 SERIES
  3. APPLICABLE TERMINAL : 560124-0101/0131
  4. APPLICABLE ISL : 560125-0900
  5. GENERAL TOLERANCE : SEE TABLE
  6. EVL AND RoHS COMPLIANT
  7. PRODUCT SPECIFICATION : PS-560123-001
  8. PACKING SPECIFICATION : PK-560123-001

ORDER NO.	MATERIAL NO.	COLOR
560123-0900	5601230900	WHITE



<b>QUALITY SYMBOLS</b> FA = 0 FE = 0 FB = 0 FV = 0 FC = 0 FX = 0 FS = 0 FT = 0	THIS DRAWING CONTAINS INFORMATION THAT IS PROPRIETARY TO MOLEX ELECTRONIC TECHNOLOGIES, LLC AND SHOULD NOT BE USED WITHOUT WRITTEN PERMISSION		DIMENSION UNITS <b>MM</b>	SCALE <b>5:1</b>				
	EC NO: 111723 DRWN: SJLEE06 CHK'D: BCYOON REV APPR: JHJANG	2016/12/22 2016/12/23 2016/12/28	GENERAL TOLERANCES (UNLESS SPECIFIED) ANGULAR TOL ± 0.0 °	DRWN BY <b>SJLEE06</b>		DATE <b>2016/10/11</b>	<b>NEW 2.0 PITCH W/B CONN. REC. 9WAY HSG DURACLIC ISL SERIES</b>	
	NEW RELEASE		4 PLACES ± 0.0 3 PLACES ± 0.0 2 PLACES ± 0.0 1 PLACE ± 0.0 0 PLACES ± 0.0	CHK'D BY <b>BCYOON</b>		DATE <b>2016/12/22</b>		<b>PRODUCT CUSTOMER DRAWING</b>
			DRAFT WHERE APPLICABLE MUST REMAIN WITHIN DIMENSIONS	APPR BY <b>JHJANG</b>		DATE <b>2016/12/28</b>		
A		DRAWING SIZE <b>A3</b>	THIRD ANGLE PROJECTION		DOCUMENT NUMBER <b>5601230900</b>	DOC TYPE <b>PSD</b>		DOC PART <b>000</b>

RELEASE STATUS	RELEASE DATE