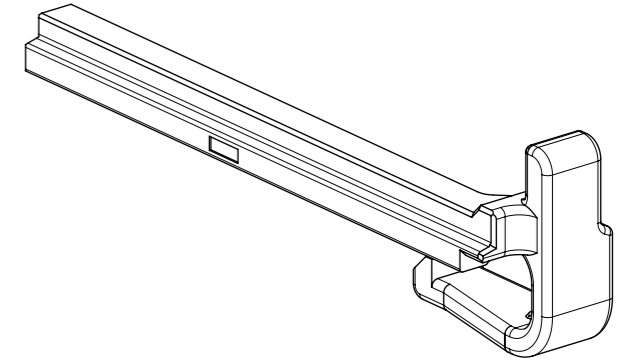
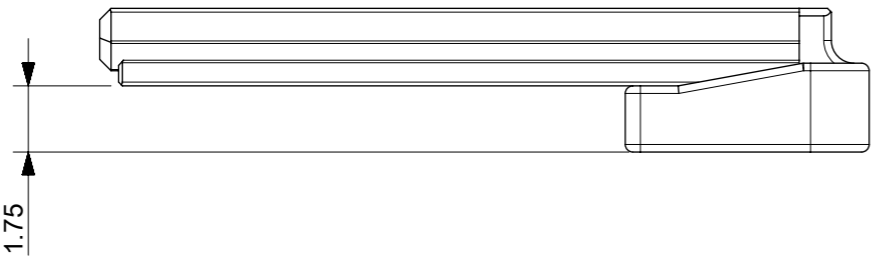
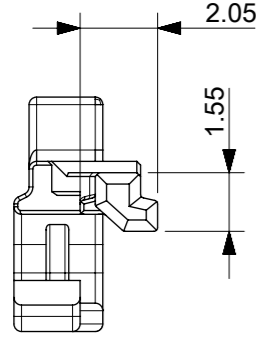
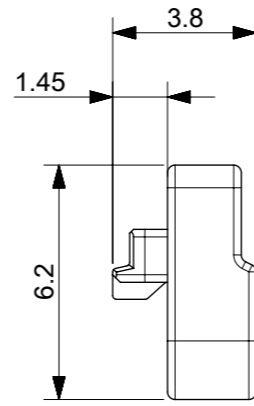
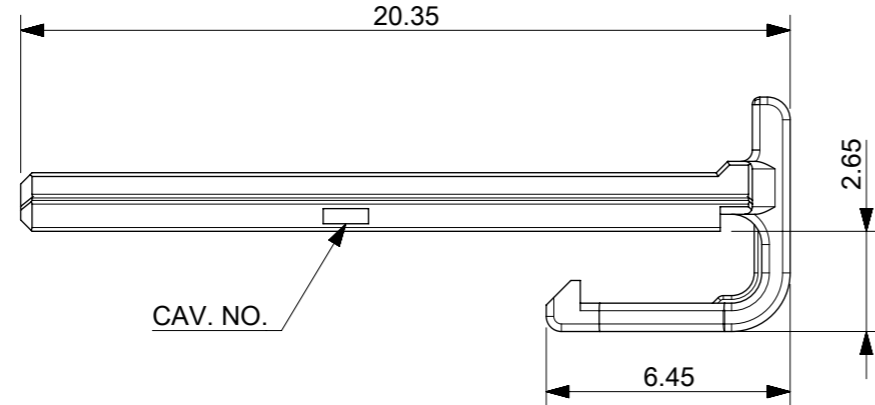


GENERAL TOLERANCE										USED ON
10 MAX	30 MAX	50 MAX	70 MAX	100 MAX	120 MAX	250 MAX	250 OVER	ANGLE	ECCENT	
±0.15	±0.20	±0.30	±0.40	±0.50	±0.75	±0.90	±1.4	±0.5°	0.1	



ISO VIEW



- NOTES :
1. MATERIAL : POLYESTER (PBT), GLASSFILLED, UL94V-0
COLOR : GRAY
 2. APPLICABLE HOUSING : 560123-090*
 3. GENERAL TOLERANCE : SEE TABLE
 4. EVL AND RoHS COMPLIANT
 5. PRODUCT SPECIFICATION : PS-560123-001
 6. PACKING SPECIFICATION : PK-560125-001

ORDER NO.	MATERIAL NO.	COLOR
560125-0900	5601250900	GRAY

THIS DRAWING CONTAINS INFORMATION THAT IS PROPRIETARY TO MOLEX ELECTRONIC TECHNOLOGIES, LLC AND SHOULD NOT BE USED WITHOUT WRITTEN PERMISSION										
QUALITY SYMBOLS 	NEW RELEASE EC NO: 111723 DRWN: SJLEE06 CHK'D: BCYOON REV APPR: JHJANG	GENERAL TOLERANCES (UNLESS SPECIFIED) ANGULAR TOL ± 0.0 °		DIMENSION UNITS	SCALE	 NEW 2.0 PITCH W/B CONN. REC. 9WAY ISL DURACLIC ISL SERIES				
		4 PLACES ± 0.0		MM	5:1					
		3 PLACES ± 0.0		DRWN BY	DATE					
		2 PLACES ± 0.0		CHK'D BY	DATE	PRODUCT CUSTOMER DRAWING				
		1 PLACE ± 0.0		BCYOON	2016/12/22					
0 PLACES ± 0.0		APPR BY	DATE	SERIES	MATERIAL NUMBER	CUSTOMER				
DRAFT WHERE APPLICABLE MUST REMAIN WITHIN DIMENSIONS		JHJANG	2016/12/28	560125	5601250900					
		DRAWING SIZE	THIRD ANGLE PROJECTION	DOCUMENT NUMBER		DOC TYPE	DOC PART	SHEET NUMBER		
		A3		5601250900		PSD	000	1 OF 1		

RELEASE STATUS	RELEASE DATE