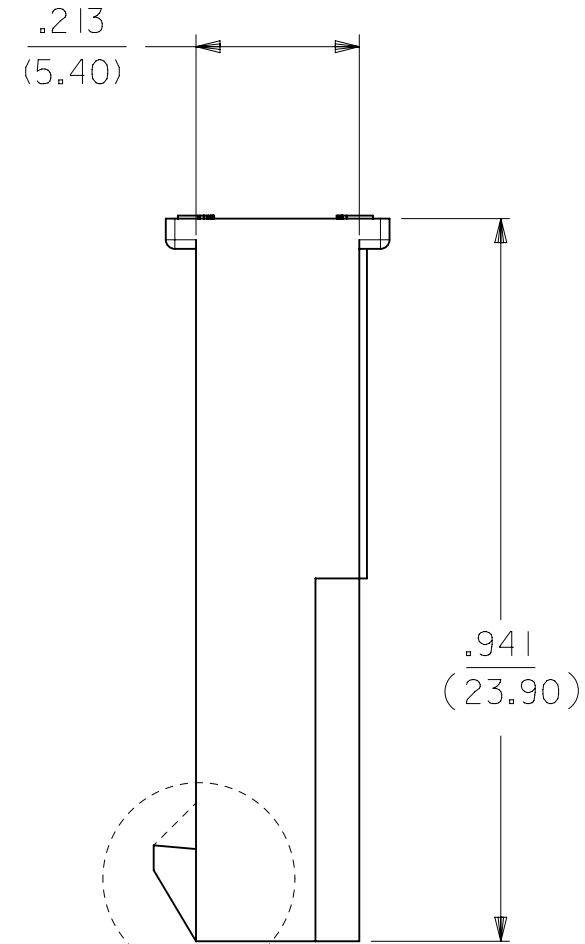
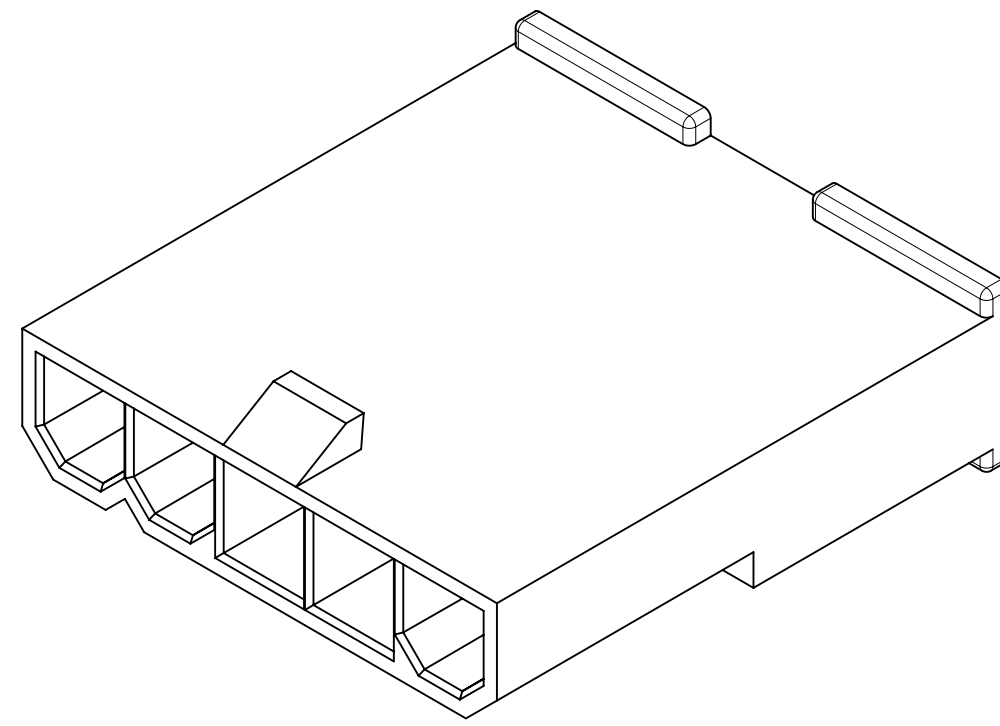


5 CKT WITHOUT
MOUNTING EARS SHOWN



LOCK OPTION:



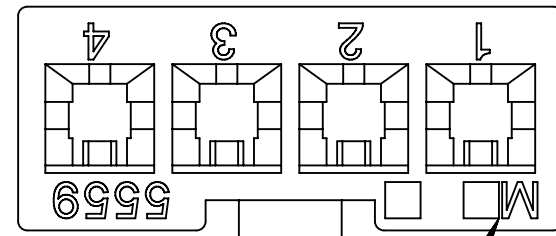
POSITIVE LOCK PASSIVE LOCK

CKT SIZE	DIM A	DIM B	DIM C	DIM D
2	.165 (4.20)	.378 (9.60)	.394 (10.00)	.591 (15.00)
4	.496 (12.60)	.709 (18.00)	.724 (18.40)	.921 (23.40)
5	.661 (16.80)	.874 (22.20)	.890 (22.60)	1.087 (27.60)
6	.827 (21.00)	1.039 (26.40)	1.055 (26.80)	1.252 (31.80)
7	.992 (25.20)	1.205 (30.60)	1.220 (31.00)	1.417 (36.00)
8	1.157 (29.40)	1.370 (34.80)	1.386 (35.20)	1.583 (40.20)
9	1.323 (33.60)	1.535 (39.00)	1.551 (39.40)	1.748 (44.40)
10	1.488 (37.80)	1.701 (43.20)	1.717 (43.60)	1.913 (48.60)
11	1.654 (42.00)	1.866 (47.40)	1.882 (47.80)	2.079 (52.80)
12	1.819 (46.20)	2.031 (51.60)	2.047 (52.00)	2.244 (57.00)

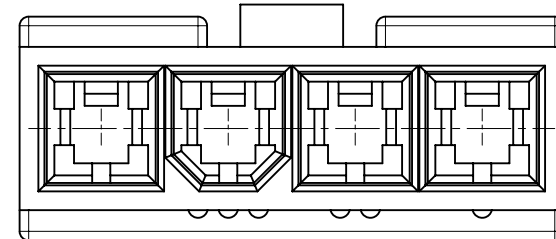
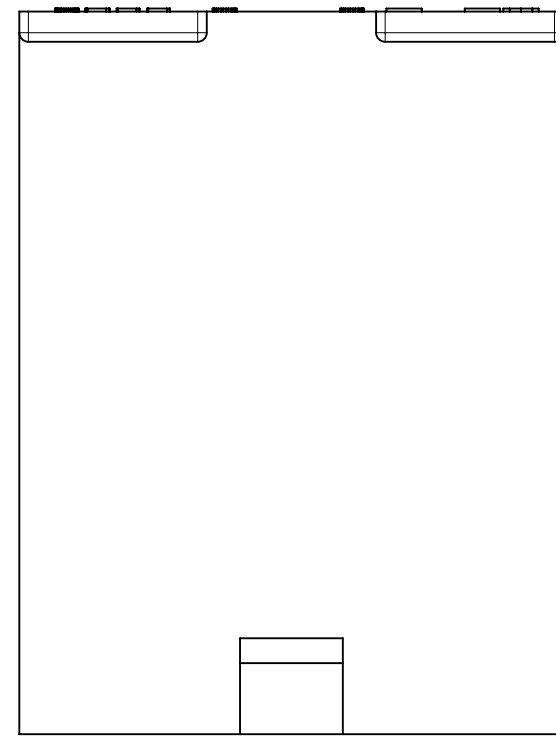
NOTES:

- MATERIAL: BLANK=NYLON 6/6, UL 94V-2, COLOR: NATURAL.
210=NYLON 6/6, UL 94V-0, COLOR: NATURAL.
400=NYLON 6/6, UL 94 V-0, COLOR: BLACK.
- FINISH: NOTE APPLICABLE
- PRODUCT SPECIFICATION: PS-5556-001
- PACKAGING SPECIFICATION: BULK PER PK-5559-003
- THIS PART MATES WITH RECEPTACLE NO. 5557.
- THIS PART IS FOR USE WITH MOLEX MALE TERMINAL NO. 5558-*
- PANEL MOUNT VERSION IS FOR USE WITH .031/.079(0.80/2.00) THICK PANELS.
- PANEL SHOULD BE PUNCHED IN THE DIRECTION OF CONNECTOR INSERTION.
- FACTORY ID MAY BE LOCATED ON EARS.
- THIS PART CONFORMS TO CLASS B REQUIREMENTS OF COSMETIC SPECIFICATION PS-45499-002.
- PART IS NOT DESIGNED FOR CURRENT SHARING.
- PARTS ARE NOT TO BE MATED OR UNMATED WHILE CIRCUITS ARE LIVE.
- WIRES ARE TO BE DRESSED IN SUCH A MANNER TO ALLOW THE TERMINALS TO FLOAT FREELY IN THE POCKET.

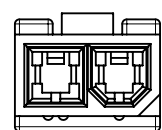
QUALITY SYMBOLS	THIS DRAWING CONTAINS INFORMATION THAT IS PROPRIETARY TO MOLEX ELECTRONIC TECHNOLOGIES, LLC AND SHOULD NOT BE USED WITHOUT WRITTEN PERMISSION						
▽ = 0	EC NO: 167042 DRWN: AZAHROVIC CHKD: JBELL REV APPR: FSMITH ADD -400 PINS	GENERAL TOLERANCES (UNLESS SPECIFIED)		DIMENSION UNITS	SCALE		
▽ = 0		MM	INCH	IN/MM	1:1		MINI-FIT JR. SERIES PLUG (SINGLE ROW)
▽ = 0		4 PLACES ±	±	DRWN BY	DATE		
▽ = 0		3 PLACES ±	± 0.01	KSS	2/19/89		
▽ = 0		2 PLACES ±	± 0.015	CHK'D BY	DATE	PRODUCT CUSTOMER DRAWING	
▽ = 0		1 PLACES ±	±	RJF	2/19/89		
▽ = 0		0 PLACES ±	±	APPR BY	DATE	SERIES MATERIAL NUMBER CUSTOMER 5559 SEE CHART GENERAL MARKET	
▽ = 0		ANGULAR TOL = 0.5		FSMITH	2011/03/10		
▽ = 0		DRAFT WHERE APPLICABLE MUST REMAIN WITHIN DIMENSIONS		DRAWING SIZE	THIRD ANGLE PROJECTION	DOCUMENT NUMBER DOC TYPE DOC PART SHEET NUMBER SD-5559-NLP+ PSD 001 1 OF 3	
▽ = 0				C			



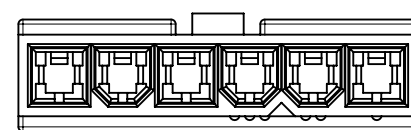
FACTORY ID
SEE NOTE 9



4 CKT WITHOUT
MOUNTING EARS SHOWN

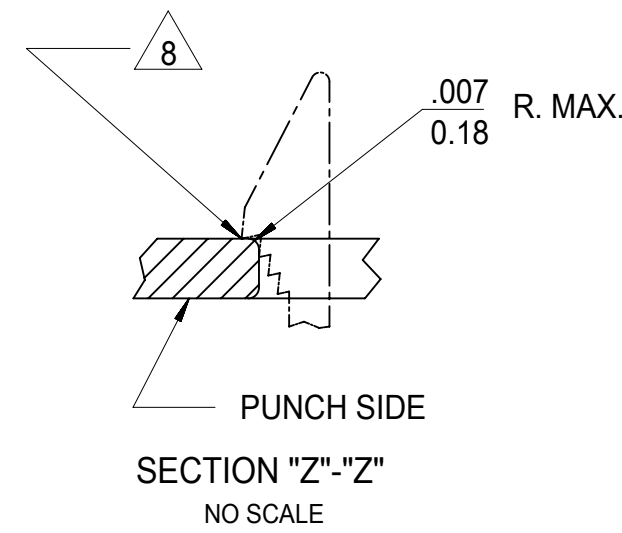
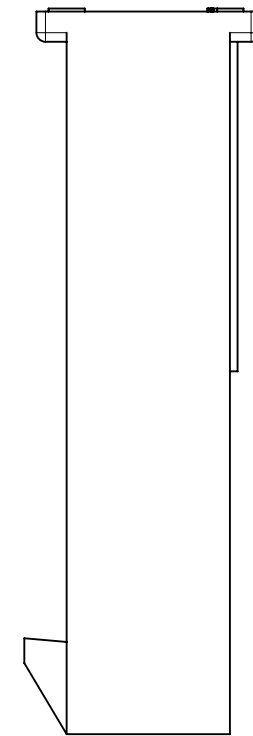


2 CIRCUIT

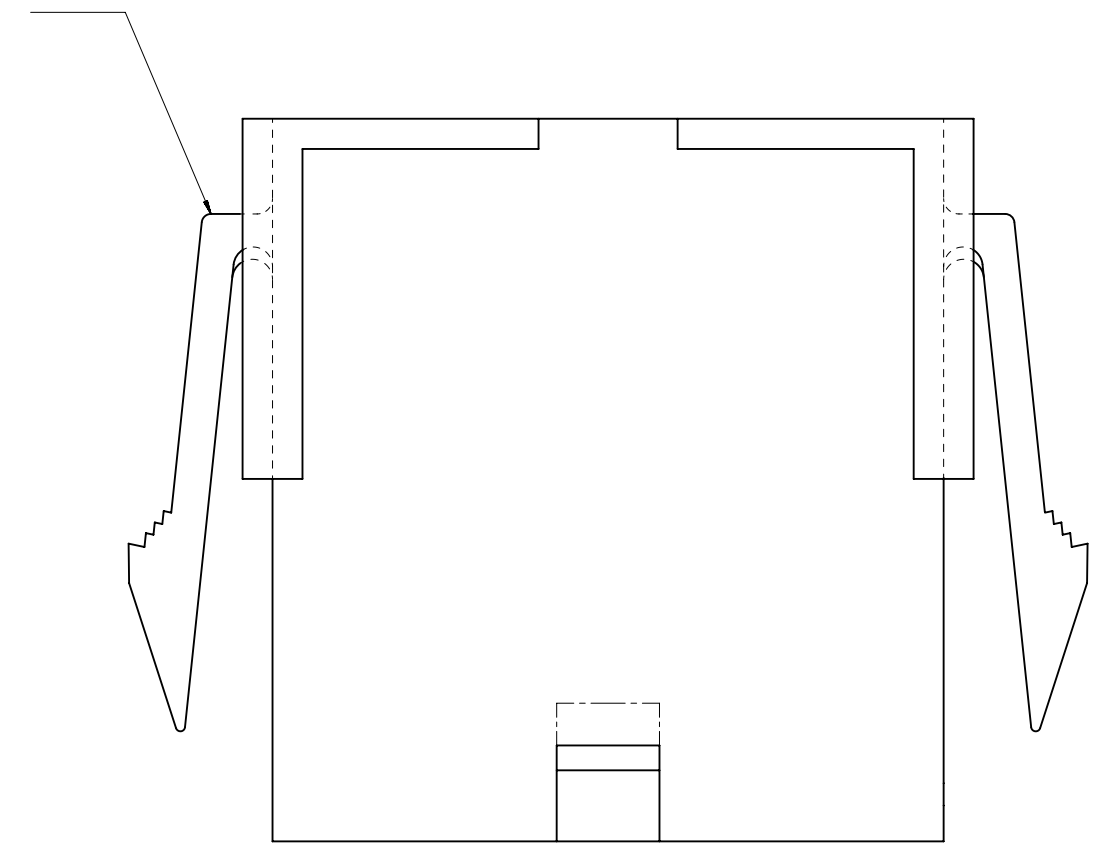


6 CIRCUIT

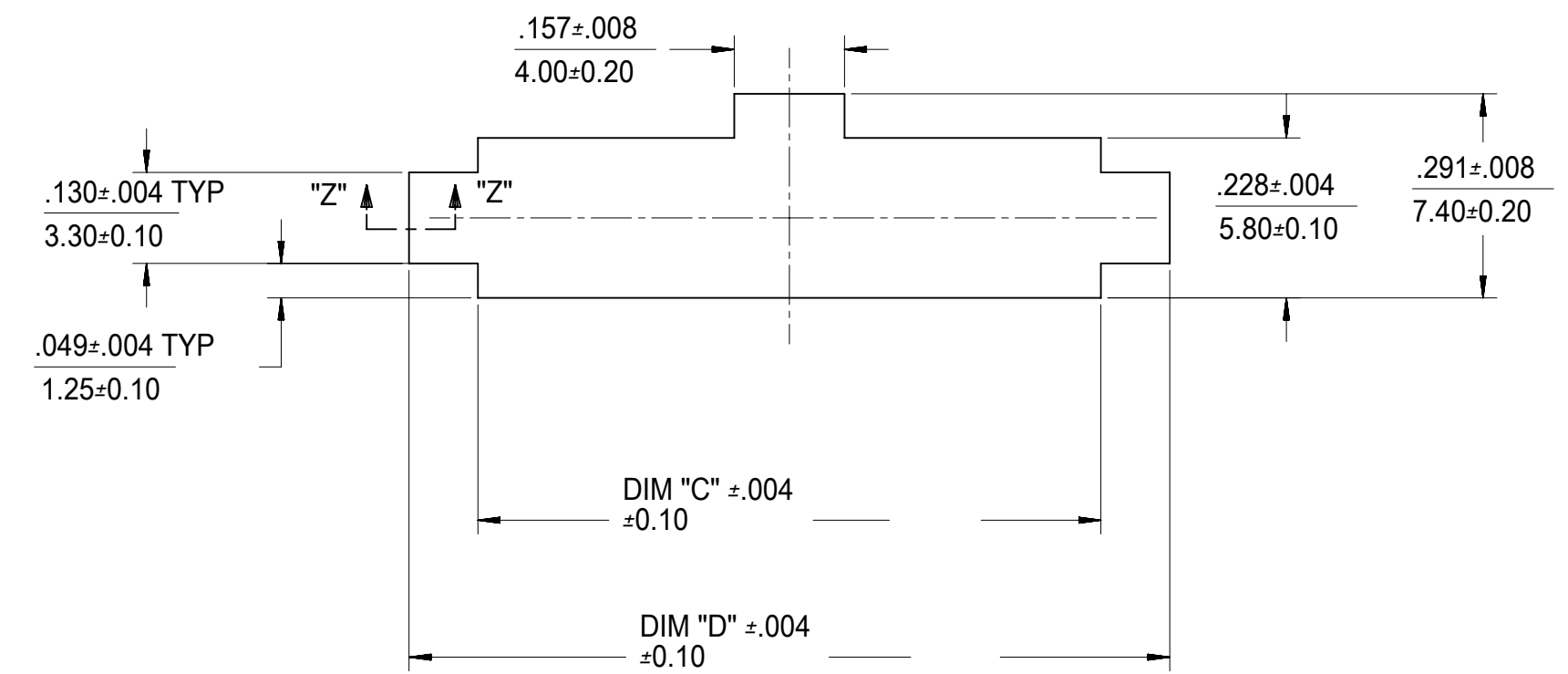
POLARIZATION



SEE NOTE 9



WITH MOUNTING EARS



RECOMMENDED PANEL CUT-OUT
(SEE NOTE 7 & 8)

QUALITY SYMBOLS	THIS DRAWING CONTAINS INFORMATION THAT IS PROPRIETARY TO MOLEX ELECTRONIC TECHNOLOGIES, LLC AND SHOULD NOT BE USED WITHOUT WRITTEN PERMISSION										
	DIMENSION UNITS IN/MM				SCALE 1:1						
GENERAL TOLERANCES (UNLESS SPECIFIED)				DRWN BY KSS		DATE 2/19/89					MINI-FIT JR. SERIES PLUG (SINGLE ROW)
4 PLACES ± ±				CHK'D BY RJF		DATE 2/19/89		PRODUCT CUSTOMER DRAWING			
3 PLACES ± ± 0.01				APPR BY FSMITH		DATE 2011/03/10					
2 PLACES ± 0.25 ± 0.015				DRAWING SIZE C		THIRD ANGLE PROJECTION		DOCUMENT NUMBER: SD-5559-NLP+ DOC TYPE: PSD DOC PART: 001 SHEET NUMBER: 2 OF 3			
1 PLACES ± 0.38 ±				ANGULAR TOL = 0.5							
0 PLACES ± ±				DRAFT WHERE APPLICABLE MUST REMAIN WITHIN DIMENSIONS				ADD -400 PINS			
ADD -400 PINS				J10		C					

12	11	10	9	8	7	
TOOLED	PART NO	ENG NO	CKT SIZE	MOUNTING OPTION	LOCK OPTION	MATERIAL SEE NOTE 1
YES	46999-0655	5559-02P2	2	W/EARS	POSITIVE	94V-2
YES	46999-0656	5559-02P3	2	W/O EAR	POSITIVE	94V-2
YES	46999-0657	5559-02P2-210	2	W/EARS	POSITIVE	94V-0
YES	46999-0658	5559-02P3-210	2	W/O EAR	POSITIVE	94V-0
YES	46999-0884	5559-02P2-400	2	W/EARS	POSITIVE	94V-0 BLACK
YES	46999-0885	5559-02P3-400	2	W/O EAR	POSITIVE	94V-0 BLACK
O	39-01-4042	5559-04P2	4	W/EARS	POSITIVE	94V-2
YES	39-01-4046	5559-04P3	4	W/O EAR	POSITIVE	94V-2
YES	39-01-4043	5559-04P2-210	4	W/EARS	POSITIVE	94V-0
YES	39-01-4047	5559-04P3-210	4	W/O EAR	POSITIVE	94V-0
YES	46999-0561	5559-04P3-400	4	W/O EAR	POSITIVE	94V-0 BLACK
YES	39-01-4052	5559-05P2	5	W/EARS	POSITIVE	94V-2
YES	39-01-4056	5559-05P3	5	W/O EAR	POSITIVE	94V-2
YES	39-01-4053	5559-05P2-210	5	W/EARS	POSITIVE	94V-0
YES	39-01-4057	5559-05P3-210	5	W/O EAR	POSITIVE	94V-0
YES	50-30-4446	5559-05P3-400	5	W/O EAR	POSITIVE	94V-0 BLACK
YES	39-01-4062	5559-06P2	6	W/EARS	POSITIVE	94V-2
YES	39-01-4066	5559-06P3	6	W/O EAR	POSITIVE	94V-2
YES	46999-0886	5559-06P2-400	6	W/EARS	POSITIVE	94V-0 BLACK
YES	46999-0887	5559-06P3-400	6	W/O EAR	POSITIVE	94V-0 BLACK
YES	39-01-4063	5559-06P2-210	6	W/EARS	POSITIVE	94V-0
YES	39-01-4067	5559-06P3-210	6	W/O EAR	POSITIVE	94V-0
NO	39-01-4072	5559-07P2	7	W/EARS	POSITIVE	94V-2
NO	39-01-4076	5559-07P3	7	W/O EAR	POSITIVE	94V-2
NO	39-01-4073	5559-07P2-210	7	W/EARS	POSITIVE	94V-0
NO	39-01-4077	5559-07P3-210	7	W/O EAR	POSITIVE	94V-0
NO	39-01-4082	5559-08P2	8	W/EARS	POSITIVE	94V-2
NO	39-01-4086	5559-08P3	8	W/O EAR	POSITIVE	94V-2
NO	39-01-4083	5559-08P2-210	8	W/EARS	POSITIVE	94V-0
NO	39-01-4087	5559-08P3-210	8	W/O EAR	POSITIVE	94V-0
NO	39-01-4092	5559-09P2	9	W/EARS	POSITIVE	94V-2
NO	39-01-4096	5559-09P3	9	W/O EAR	POSITIVE	94V-2
NO	39-01-4093	5559-09P2-210	9	W/EARS	POSITIVE	94V-0
NO	39-01-4097	5559-09P3-210	9	W/O EAR	POSITIVE	94V-0
NO	39-01-4102	5559-10P2	10	W/EARS	POSITIVE	94V-2
NO	39-01-4106	5559-10P3	10	W/O EAR	POSITIVE	94V-2
NO	39-01-4103	5559-10P2-210	10	W/EARS	POSITIVE	94V-0
NO	39-01-4107	5559-10P3-210	10	W/O EAR	POSITIVE	94V-0
NO	39-01-4112	5559-11P2	11	W/EARS	POSITIVE	94V-2
NO	39-01-4116	5559-11P3	11	W/O EAR	POSITIVE	94V-2
NO	39-01-4113	5559-11P2-210	11	W/EARS	POSITIVE	94V-0
NO	39-01-4117	5559-11P3-210	11	W/O EAR	POSITIVE	94V-0
NO	39-01-4122	5559-12P2	12	W/EARS	POSITIVE	94V-2
NO	39-01-4126	5559-12P3	12	W/O EAR	POSITIVE	94V-2
NO	39-01-4123	5559-12P2-210	12	W/EARS	POSITIVE	94V-0
NO	39-01-4127	5559-12P3-210	12	W/O EAR	POSITIVE	94V-0

6	5	4	3	2	1	
TOOLED	PART NO	ENG NO	CKT SIZE	MOUNTING OPTION	LOCK OPTION	MATERIAL SEE NOTE 1
NO	NO E.D.P.	5559-04P4	4	W/EARS	PASSIVE	94V-2
NO	NO E.D.P.	5559-04P5	4	W/O EAR	PASSIVE	94V-2
NO	NO E.D.P.	5559-04P4-210	4	W/EARS	PASSIVE	94V-0
NO	NO E.D.P.	5559-04P5-210	4	W/O EAR	PASSIVE	94V-0
YES	50-29-1599	5559-05P4-210	5	W/EARS	PASSIVE	94V-0
NO	NO E.D.P.	5559-05P5-210	5	W/O EAR	PASSIVE	94V-0
NO	NO E.D.P.	5559-05P5-400	5	W/O EAR	PASSIVE	94V-0 BLACK
NO	NO E.D.P.	5559-06P4	6	W/EARS	PASSIVE	94V-2
NO	NO E.D.P.	5559-06P5	6	W/O EAR	PASSIVE	94V-2
NO	NO E.D.P.	5559-06P4-210	6	W/EARS	PASSIVE	94V-0
NO	NO E.D.P.	5559-06P5-210	6	W/O EAR	PASSIVE	94V-0
NO	NO E.D.P.	5559-07P4	7	W/EARS	PASSIVE	94V-2
NO	NO E.D.P.	5559-07P5	7	W/O EAR	PASSIVE	94V-2
NO	NO E.D.P.	5559-07P4-210	7	W/EARS	PASSIVE	94V-0
NO	NO E.D.P.	5559-07P5-210	7	W/O EAR	PASSIVE	94V-0
NO	NO E.D.P.	5559-08P4	8	W/EARS	PASSIVE	94V-2
NO	NO E.D.P.	5559-08P5	8	W/O EAR	PASSIVE	94V-2
NO	NO E.D.P.	5559-08P4-210	8	W/EARS	PASSIVE	94V-0
NO	NO E.D.P.	5559-08P5-210	8	W/O EAR	PASSIVE	94V-0
NO	NO E.D.P.	5559-09P4	9	W/EARS	PASSIVE	94V-2
NO	NO E.D.P.	5559-09P5	9	W/O EAR	PASSIVE	94V-2
NO	NO E.D.P.	5559-09P4-210	9	W/EARS	PASSIVE	94V-0
NO	NO E.D.P.	5559-09P5-210	9	W/O EAR	PASSIVE	94V-0
NO	NO E.D.P.	5559-10P4	10	W/EARS	PASSIVE	94V-2
NO	NO E.D.P.	5559-10P5	10	W/O EAR	PASSIVE	94V-2
NO	NO E.D.P.	5559-10P4-210	10	W/EARS	PASSIVE	94V-0
NO	NO E.D.P.	5559-10P5-210	10	W/O EAR	PASSIVE	94V-0
NO	NO E.D.P.	5559-11P4	11	W/EARS	PASSIVE	94V-2
NO	NO E.D.P.	5559-11P5	11	W/O EAR	PASSIVE	94V-2
NO	NO E.D.P.	5559-11P4-210	11	W/EARS	PASSIVE	94V-0
NO	NO E.D.P.	5559-11P5-210	11	W/O EAR	PASSIVE	94V-0
NO	NO E.D.P.	5559-12P4	12	W/EARS	PASSIVE	94V-2
NO	NO E.D.P.	5559-12P5	12	W/O EAR	PASSIVE	94V-2
NO	NO E.D.P.	5559-12P4-210	12	W/EARS	PASSIVE	94V-0
NO	NO E.D.P.	5559-12P5-210	12	W/O EAR	PASSIVE	94V-0

"O" = OBSOLETE

LEGEND

5559-***P*-*

BASE NO


CIRCUIT SIZE (04-12)

MATERIAL OPTION: SEE NOTE 1

MOUNTING AND LOCK OPTION:
 2=WITH EARS, POSITIVE LOCK
 3=WITHOUT EARS, POSITIVE LOCK
 4=WITH EARS, PASSIVE LOCK
 5=WITHOUT EARS, PASSIVE LOCK

PLUG

THIS DRAWING CONTAINS INFORMATION THAT IS PROPRIETARY TO MOLEX ELECTRONIC TECHNOLOGIES, LLC AND SHOULD NOT BE USED WITHOUT WRITTEN PERMISSION

QUALITY SYMBOLS	2017/10/23 2017/11/08 2017/11/10 ADD -400 PINS EC NO: 167042 DRWN: AZAHROVIC CHKD: JBELL REV / APPR: FSMITH	GENERAL TOLERANCES (UNLESS SPECIFIED)		DIMENSION UNITS	SCALE	 MINI-FIT JR. SERIES PLUG (SINGLE ROW)
		MM	INCH	IN/MM	1:1	
▽ = 0	DRWN BY: KSS DATE: 2/19/89 CHK'D BY: RJJ DATE: 2/19/89 APPR BY: FSMITH DATE: 2011/03/10	4 PLACES	±	±	SERIES: 5559 MATERIAL NUMBER: SEE CHART CUSTOMER: GENERAL MARKET	
▽ = 0		3 PLACES	±	± 0.01		
▽ = 0		2 PLACES	± 0.25	± 0.015		
▽ = 0		1 PLACES	± 0.38	±		
▽ = 0		0 PLACES	±	±		
▽ = 0	ANGULAR TOL = 0.5	DRAFT WHERE APPLICABLE MUST REMAIN WITHIN DIMENSIONS		DRAWING SIZE: C	THIRD ANGLE PROJECTION	
▽ = 0	J10	DOCUMENT NUMBER: SD-5559-NLP+		DOC TYPE: PSD	DOC PART: 001	SHEET NUMBER: 3 OF 3