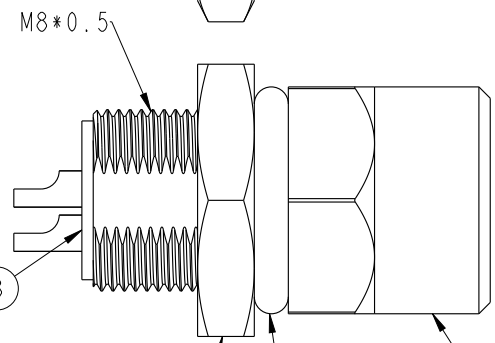
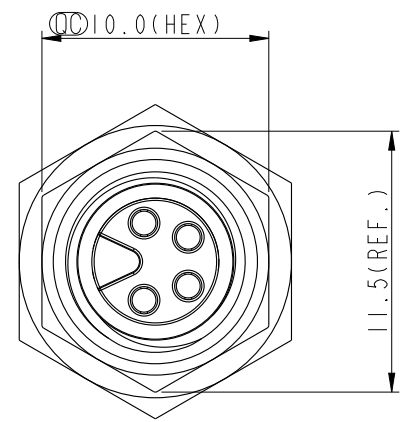
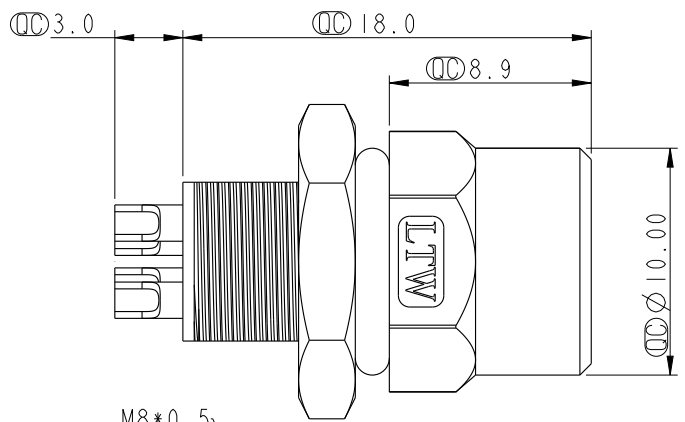
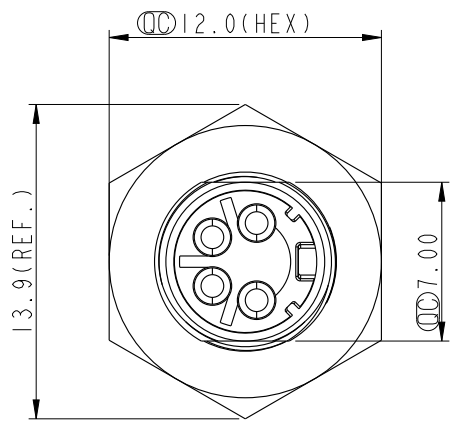


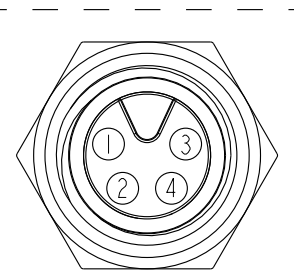
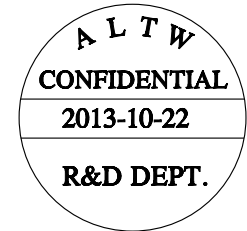
THIS DOCUMENT IS SUBJECT TO CHANGE WITHOUT NOTICE. IT IS CONFIDENTIAL AND A PROPERTY OF AMPHENOL LTW. DISCLOSURE TO THIRD PARTY HAS TO BE AUTHORIZED BY AMPHENOL LTW.

REV.	ECN NO.	DATE	SIGN	DESCRIPTION

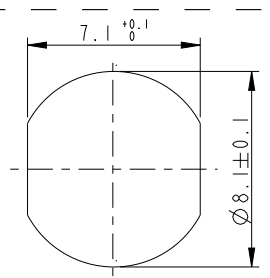


With Liquid Glue (3)

- ① Connector
- ② Shield
- ④ O-Ring1



Pin Assignment Front View



Recommended Panel Cut-Out

Note:
 * (C) Important Dimension.
 * Waterproof Rate: IP67.
 * Housing: Nylon+GF, Black.
 * Female Pin: Copper Alloy, Gold Plated.
 * Shield: Zinc Alloy, Nickel Plated.
 * Screw Nut: Copper Alloy, Nickel Plated.
 * O-Ring1: Viton, Green.
 * O-Ring2: EPDM, Black.
 * For Panel Thickness Max 4.5mm.
 * Nut Torque: 4~6 kgf.cm.

UNIT:mm		
TOLERANCE	.X ±0.25	
.XX ±0.1		
.XXX ±0.05		
ANGLES	±1°	

TITLE M8 4Pin Panel F Conn. F Pin			
SCALE 3:1	SIZE A4	SHEET 1 OF 1	
REV. A	WC-REV. A.1	C: Inspection item	

Amphenol LTW
 安費諾亮泰企業股份有限公司

ITEM NO 8A-04PFFS-SH7001	DRAWN BY Tony_leng	DATE 2013-10-22
DWG NO 8A-04PFFS-SH7001	CHECKED BY Jimmy	DATE 2013-10-22
CUSTOMER ALTW	APPROVED BY Jerry	DATE 2013-10-22