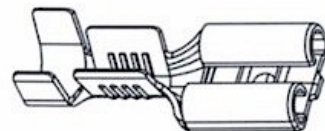
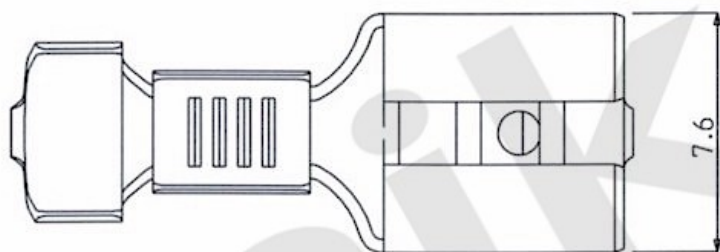
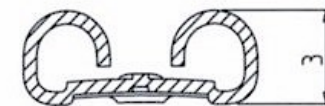
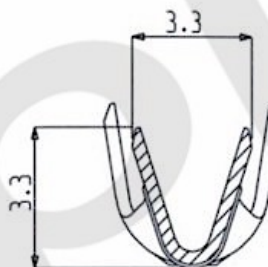
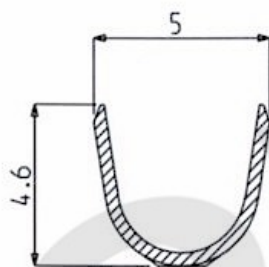

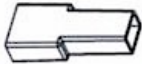



SENSO DI USCITA
DALLA BOBINA



PASSO 21.7mm



MATING TERMINALS	MATING HOUSINGS
 Mating Tabs TM638231 TM638231S -531S	 CT1001N  CT2002B CT2002S

INDEX	DESCRIPTION	DATE
04	ADDED INFORMATION ABOUT MATING HOUSING	11 JAN 2015

TREATEMENT	MATERIAL	WIRE SECTION	CODE
---	BRASS (CuZn30)	20 - 15 AWG / 0,5 - 1,5 mmq	TF638241
Pre tinned	BRASS (CuZn30)	20 - 15 AWG / 0,5 - 1,5 mmq	TF638242
---	---	---	---
---	---	---	---
---	---	---	---
---	---	---	---
---	---	---	---

CURRENT RATING AT 20°C - DIN 46 249			
	Brass	Tin Plated Brass	Nickel Steel
Current capacity at 1 mmq	12 A		12 A
Current capacity at 2.5 mmq	20 A		20 A
Maximal Working Temp.	90 °C	120° C	300 °C

INSERTION AND WITHDRAWAL FORCE				
Newton ± 1 N	1st Insertion	1st Withdrawal	5th Withdrawal	10th Withdrawal
DIN 46 249	max 60 N	max 60 N	---	min 18 N
MIKROPLA	53 N	60 N	34 N	18 N

NAME: **TF638241**

DIN 46 247 QUICK CONNECT RECEPTACLE 6,3mm SERIES

Questo disegno è un documento distribuito in forma controllata, a termine di legge Mikropla si riserva la sua proprietà con divieto di uso e riproduzione. Esso è soggetto ad aggiornamenti, contattare l'ufficio tecnico per la versione più recente. This drawing is a controlled document. It is subject to change and the controlling engineering organization should be contacted for the latest revision.


TOLERANCES UNLESS OTHERWISE SPECIFIED :	MATERIAL : SEE TABLE
0 PLC ± 0.5	WEIGHT : ---
1 PLC ± 0.3	FINISH : ---
2 PLC ± 0.1	
ANGLES ± 2'	

DWN : C.S.
DATE : 20-12-1984

CHK : G.C.
DATE : 11 JAN 2015

REV. : 04

DIMENSIONS : mm
SCALE : 4:1
SIZE : A4
SHEET 1 OF 1

 **mikropla**

MIKROPLA s.r.l. Via Giovanni Pascoli, 36 - 60044 FABRIANO (AN) - IT

PULLOUT FORCE - DIN 46 249	
Wire Section	Newton ± 1 N
20 AWG - 0.5 mmq	80 N
15 AWG - 1.5 mmq	200 N
13 AWG - 2.5 mmq	250 N

CRIMP DIMENSIONS - mm ± 0.2mm			
Wire Section	Wire Conductor Barrel		Insulation Barrel
	Crimp Width	Crimp Height	Crimp Width
20 AWG - 0.5 mmq	2.2 - 2.6	1.1 - 1.4	2.5 - 3.5
15 AWG - 1.5 mmq	2.4 - 3.0	1.3 - 1.8	3.5 - 5.0
13 AWG - 2.5 mmq	2.8 - 3.6	1.5 - 2.1	3.8 - 5.8