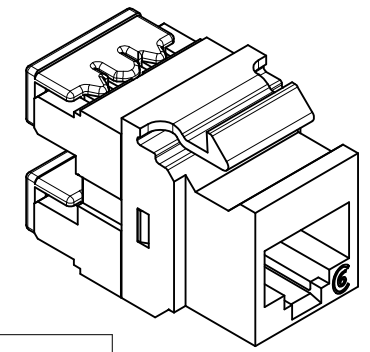


NOTES:

- 1. MATERIALS :
 - JACK HOUSING : POLYCARBONATE (PC), UL94V-0
 - JACK CONTACT : COPPER ALLOY
 - IDC HOUSING : POLYCARBONATE (PC), UL94V-0
 - IDC : COPPER ALLOY
- 2. FINISHES :
 - JACK CONTACT : SELECTIVE GOLD (Au) IN CONTACT AREA; THICKNESS = 50 MICROINCH MINIMUM; NICKEL (Ni) UNDERPLATE OVERALL; THICKNESS = 50 MICROINCH MINIMUM.
 - IDC : NICKEL (Ni), UNDERPLATE, THICKNESS = 50 MICROINCH MINIMUM; TIN (Sn), THICKNESS = 100 MICROINCH MINIMUM
- 3. PACKAGING :
 - JACK AND STUFFER CAP ARE SHOWN IN ASSEMBLED CONDITION WHERE AS THEY ARE PACKED INDIVIDUALLY IN A POLY BAG WITH LABEL AND INSTALLATION INSTRUCTIONS PRINTED ON THE POLY BAG.

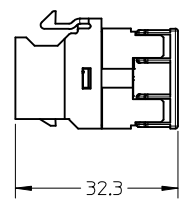
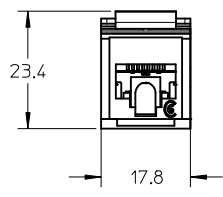
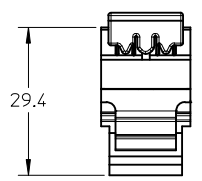


ISO VIEW
SCALE 2:1

MPN NO.	SAP NO.	DESCRIPTION
KSJ-00033-01	181970157	DATAGATE + KEYSTONE JACK C6 ALMOND
KSJ-00033-02	181970158	DATAGATE + KEYSTONE JACK C6 WHITE
KSJ-00033-08	181970159	DATAGATE + KEYSTONE JACK C6 GRAY
KSJ-00033-04	181970160	DATAGATE + KEYSTONE JACK C6 BLACK
KSJ-00033-05	181970161	DATAGATE + KEYSTONE JACK C6 IVORY
KSJ-00033-RG	181970162	DATAGATE + KEYSTONE JACK C6 ORANGE
KSJ-00033-GR	181970163	DATAGATE + KEYSTONE JACK C6 GREEN
KSJ-00033-PP	181970164	DATAGATE + KEYSTONE JACK C6 PURPLE
KSJ-00033-BL	181970165	DATAGATE + KEYSTONE JACK C6 BLUE
KSJ-00033-YL	181970166	DATAGATE + KEYSTONE JACK C6 YELLOW
KSJ-00033-RD	181970167	DATAGATE + KEYSTONE JACK C6 RED

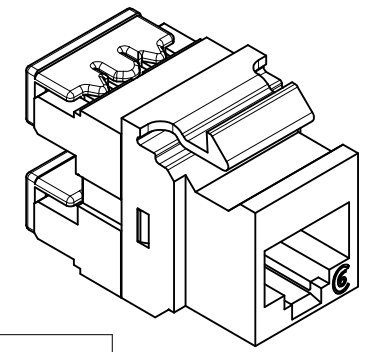
MPN NO.	SAP NO.	DESCRIPTION
KSJ-00033-01-I	181970316	DATAGATE + KEYSTONE JACK C6 ALMOND-INDIA
KSJ-00033-02-I	181970317	DATAGATE + KEYSTONE JACK C6 WHITE-INDIA
KSJ-00033-08-I	181970318	DATAGATE + KEYSTONE JACK C6 GRAY-INDIA
KSJ-00033-04-I	181970319	DATAGATE + KEYSTONE JACK C6 BLACK-INDIA
KSJ-00033-05-I	181970320	DATAGATE + KEYSTONE JACK C6 IVORY-INDIA
KSJ-00033-RG-I	181970321	DATAGATE + KEYSTONE JACK C6 ORANGE-INDIA
KSJ-00033-GR-I	181970322	DATAGATE + KEYSTONE JACK C6 GREEN-INDIA
KSJ-00033-PP-I	181970323	DATAGATE + KEYSTONE JACK C6 PURPLE-INDIA
KSJ-00033-BL-I	181970324	DATAGATE + KEYSTONE JACK C6 BLUE-INDIA
KSJ-00033-YL-I	181970325	DATAGATE + KEYSTONE JACK C6 YELLOW-INDIA
KSJ-00033-RD-I	181970326	DATAGATE + KEYSTONE JACK C6 RED-INDIA

ENTER DESCRIPTION IEC NO: MTS2016-0054 DRWN: NBP CHKD: NKUMAR02 APPR: RCG	2017/08/09 2017/08/17 2017/08/31	DESCRIPTION REV	QUALITY SYMBOLS	GENERAL TOLERANCES (UNLESS SPECIFIED)	DIMENSION STYLE	SCALE	DESIGN UNITS	THIRD ANGLE PROJECTION
			$\nabla_F = 0$ $\nabla_G = 0$ $\nabla_H = 0$	mm INCH 4 PLACES ± --- ± --- 3 PLACES ± --- ± --- 2 PLACES ± --- ± --- 1 PLACE ± 0.51 ± --- 0 PLACE ± ±	MM ONLY	1:1	METRIC	JACK GSC, C6 KEYSTONE molex SD-18197-009 1 OF 1
			ANGULAR ± --- ° DRAFT WHERE APPLICABLE MUST REMAIN WITHIN DIMENSIONS	DRAWN BY: HPRAKASH DATE: 2006/08/02 CHECKED BY: JKUMAR DATE: 2006/08/02 APPROVED BY: JKUMAR DATE: 2006/08/02	MATERIAL NO. SEE CHART	DOCUMENT NO.		
			SIZE A3	THIS DRAWING CONTAINS INFORMATION THAT IS PROPRIETARY TO MOLEX INCORPORATED AND SHOULD NOT BE USED WITHOUT WRITTEN PERMISSION				



NOTES:

- 1. MATERIALS :
 - JACK HOUSING : POLYCARBONATE (PC), UL94V-0
 - JACK CONTACT : COPPER ALLOY
 - IDC HOUSING : POLYCARBONATE (PC), UL94V-0
 - IDC : COPPER ALLOY
- 2. FINISHES :
 - JACK CONTACT : SELECTIVE GOLD (Au) IN CONTACT AREA; THICKNESS = 50 MICROINCH MINIMUM; NICKEL (Ni) UNDERPLATE OVERALL; THICKNESS = 50 MICROINCH MINIMUM.
 - IDC : NICKEL (Ni), UNDERPLATE, THICKNESS = 50 MICROINCH MINIMUM; TIN (Sn), THICKNESS = 100 MICROINCH MINIMUM
- 3. PACKAGING :
 - JACK AND STUFFER CAP ARE SHOWN IN ASSEMBLED CONDITION WHERE AS THEY ARE PACKED INDIVIDUALLY IN A POLY BAG WITH LABEL AND INSTALLATION INSTRUCTIONS PRINTED ON THE POLY BAG.



ISO VIEW
SCALE 2:1

MPN NO.	SAP NO.	DESCRIPTION
KSJ-00033-01	181970157	DATAGATE + KEYSTONE JACK C6 ALMOND
KSJ-00033-02	181970158	DATAGATE + KEYSTONE JACK C6 WHITE
KSJ-00033-08	181970159	DATAGATE + KEYSTONE JACK C6 GRAY
KSJ-00033-04	181970160	DATAGATE + KEYSTONE JACK C6 BLACK
KSJ-00033-05	181970161	DATAGATE + KEYSTONE JACK C6 IVORY
KSJ-00033-RG	181970162	DATAGATE + KEYSTONE JACK C6 ORANGE
KSJ-00033-GR	181970163	DATAGATE + KEYSTONE JACK C6 GREEN
KSJ-00033-PP	181970164	DATAGATE + KEYSTONE JACK C6 PURPLE
KSJ-00033-BL	181970165	DATAGATE + KEYSTONE JACK C6 BLUE
KSJ-00033-YL	181970166	DATAGATE + KEYSTONE JACK C6 YELLOW
KSJ-00033-RD	181970167	DATAGATE + KEYSTONE JACK C6 RED

MPN NO.	SAP NO.	DESCRIPTION
KSJ-00033-01-I	181970316	DATAGATE + KEYSTONE JACK C6 ALMOND-INDIA
KSJ-00033-02-I	181970317	DATAGATE + KEYSTONE JACK C6 WHITE-INDIA
KSJ-00033-08-I	181970318	DATAGATE + KEYSTONE JACK C6 GRAY-INDIA
KSJ-00033-04-I	181970319	DATAGATE + KEYSTONE JACK C6 BLACK-INDIA
KSJ-00033-05-I	181970320	DATAGATE + KEYSTONE JACK C6 IVORY-INDIA
KSJ-00033-RG-I	181970321	DATAGATE + KEYSTONE JACK C6 ORANGE-INDIA
KSJ-00033-GR-I	181970322	DATAGATE + KEYSTONE JACK C6 GREEN-INDIA
KSJ-00033-PP-I	181970323	DATAGATE + KEYSTONE JACK C6 PURPLE-INDIA
KSJ-00033-BL-I	181970324	DATAGATE + KEYSTONE JACK C6 BLUE-INDIA
KSJ-00033-YL-I	181970325	DATAGATE + KEYSTONE JACK C6 YELLOW-INDIA
KSJ-00033-RD-I	181970326	DATAGATE + KEYSTONE JACK C6 RED-INDIA

ENTER DESCRIPTION IEC NO: MTS2016-0054 DRWN:BNP CHKD:KUMAR02 APPR:RCG	2017/08/09 2017/08/17 2017/08/31	DESCRIPTION REV	QUALITY SYMBOLS	GENERAL TOLERANCES (UNLESS SPECIFIED)	DIMENSION STYLE	SCALE	DESIGN UNITS	THIRD ANGLE PROJECTION
			$\nabla_F = 0$ $\nabla_G = 0$ $\nabla_H = 0$	mm INCH 4 PLACES ± --- ± --- 3 PLACES ± --- ± --- 2 PLACES ± --- ± --- 1 PLACE ± 0.51 ± --- 0 PLACE ± ±	MM ONLY	1:1	METRIC	JACK GSC, C6 KEYSTONE
			ANGULAR ± --- ° DRAFT WHERE APPLICABLE MUST REMAIN WITHIN DIMENSIONS	DRAWN BY: HPRAKASH DATE: 2006/08/02 CHECKED BY: JKUMAR DATE: 2006/08/02 APPROVED BY: JKUMAR DATE: 2006/08/02	MATERIAL NO. SEE CHART	DOCUMENT NO. SD-18197-009	SHEET NO. 1 OF 1	
			B1	SIZE A3	THIS DRAWING CONTAINS INFORMATION THAT IS PROPRIETARY TO MOLEX INCORPORATED AND SHOULD NOT BE USED WITHOUT WRITTEN PERMISSION			