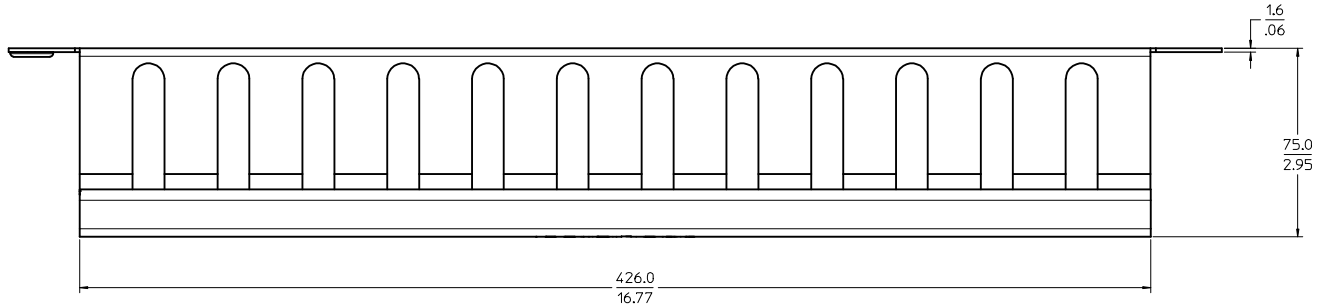
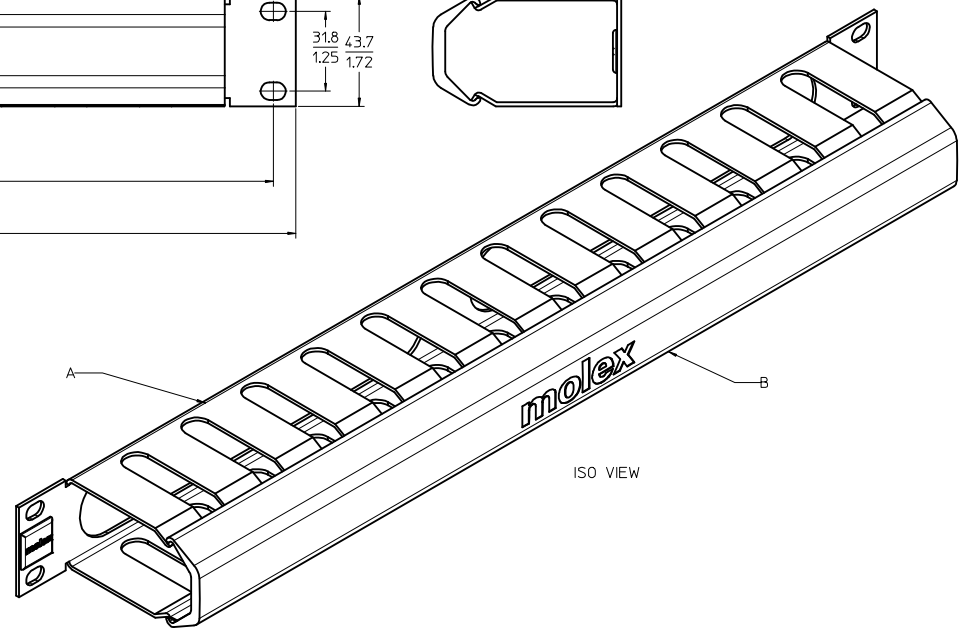
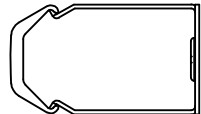
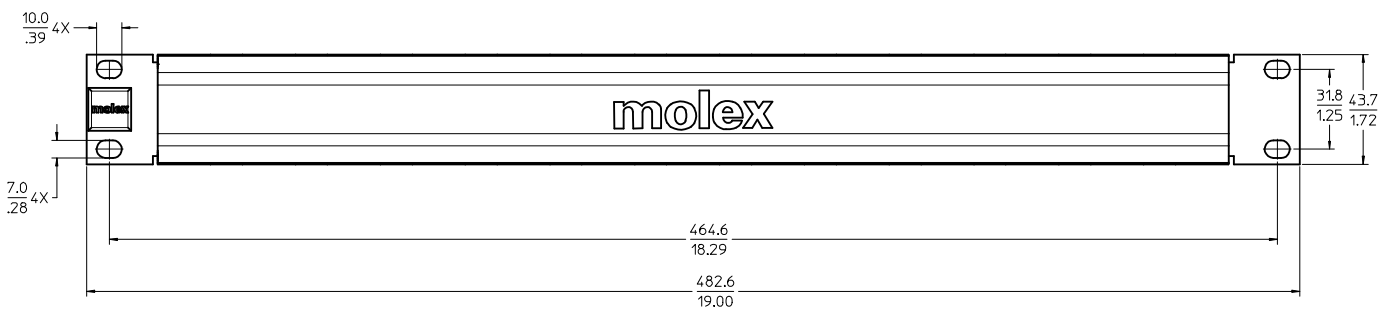


20 19 18 17 16 15 14 13 12 11 10 9 8 7 6 5 4 3 2 1



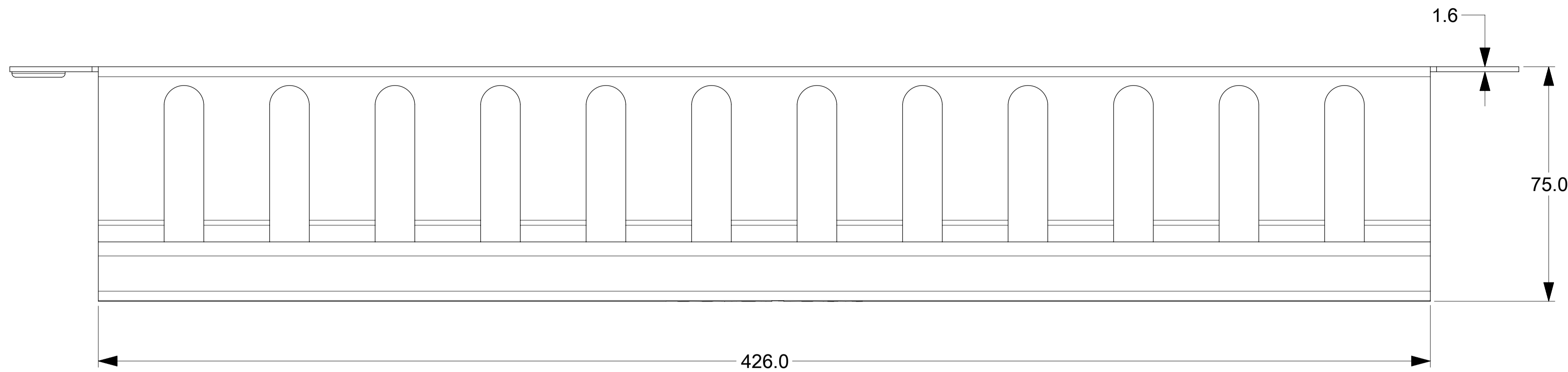
NOTES:
 1. MATERIAL
 A. CABLE MANAGEMENT PANEL - 16GA (1.600/0.060 THK) CRS
 B. CABLE MANAGEMENT COVER PLATE- 50% HIGH AND LOW DENSITY POLYPROPYLENE COLOR IS MID GREY - NO. MB04256UNC.
 2.FINISH:
 A) GRAPHITE GREY POWDER COAT
 3. PACKING:
 CABLE MANAGEMENT PANEL IS PACKED IN CARTON BOX.
 THE FOLLOWING ITEMS ARE INCLUDED
 - GLOBAL HARDWARE KIT



PART NUMBER CHART	
MPN NO.	SAP NO.
25.C001G	180330001

ENTER DESCRIPTION EC NO: M1SZ016-0030 DRWNG: UKOWSHIKARAN/2015/11/20 CHKDR: RCG APPR: RCG DATE: 2015/11/20 DATE: 2015/12/29	QUALITY SYMBOLS ∇=0 ∇=0 ∇=0	GENERAL TOLERANCES (UNLESS SPECIFIED)		DIMENSION STYLE MM/IN		SCALE 1:1	DESIGN UNITS METRIC	THIRD ANGLE PROJECTION	
		mm	INCH	DRAWN BY UKOWSHIKARAN	DATE 2015/11/20	TITLE CABLE MANAGEMENT PANEL			
		4 PLACES ±---	±---	CHECKED BY RCG	DATE 2015/11/20	MATERIAL NO. SEE CHART			
		3 PLACES ±---	±---	APPROVED BY RCG	DATE 2015/12/29	DOCUMENT NO. SD-18033-001	SHEET NO. 1 OF 1		
ANGULAR ±1/2°		DRAFT WHERE APPLICABLE MUST REMAIN WITHIN DIMENSIONS		THIS DRAWING CONTAINS INFORMATION THAT IS PROPRIETARY TO MOLEX INCORPORATED AND SHOULD NOT BE USED WITHOUT WRITTEN PERMISSION					

19 18 17 16 15 14 13 12 11 10 9 8 7 6 5 4 3 2 1



NOTES:

1. MATERIAL

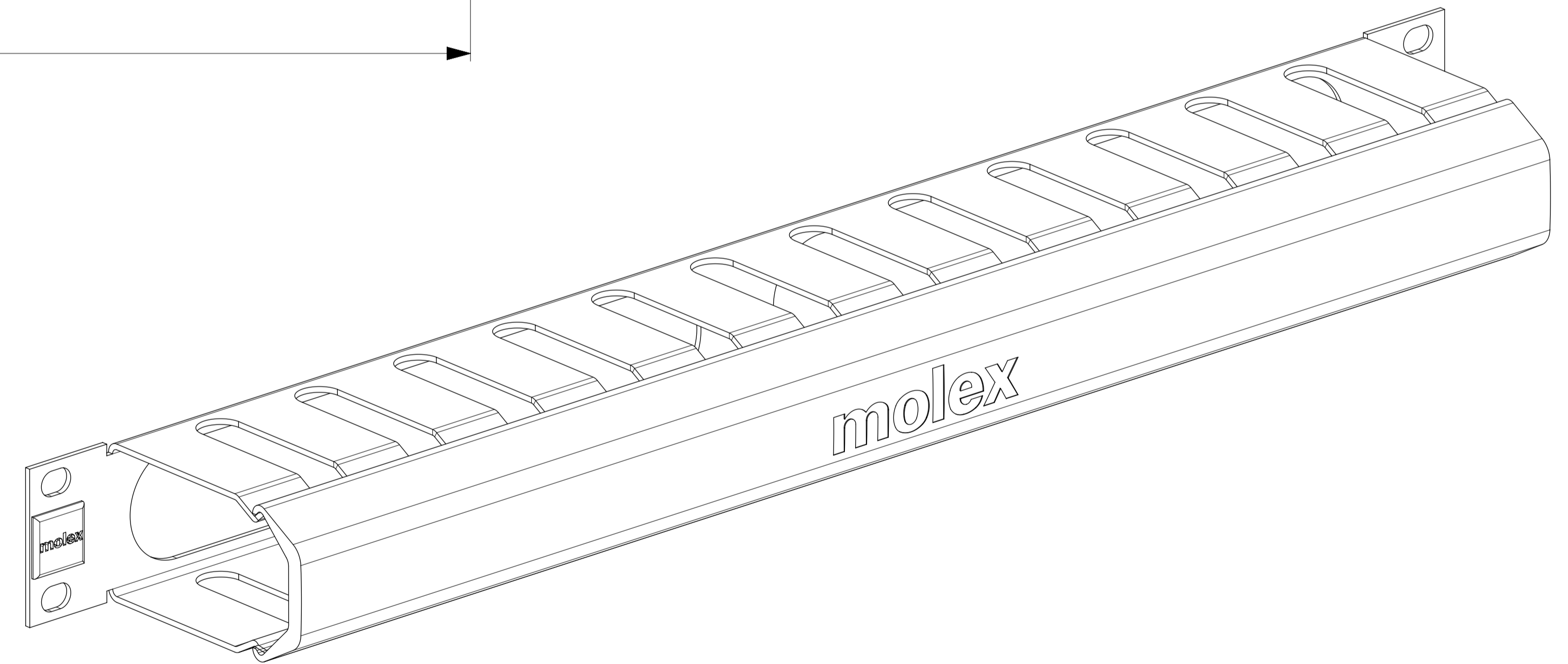
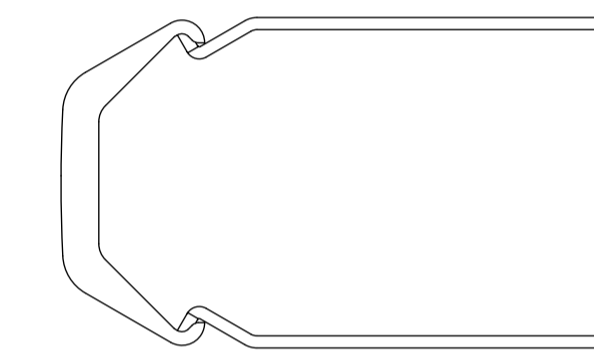
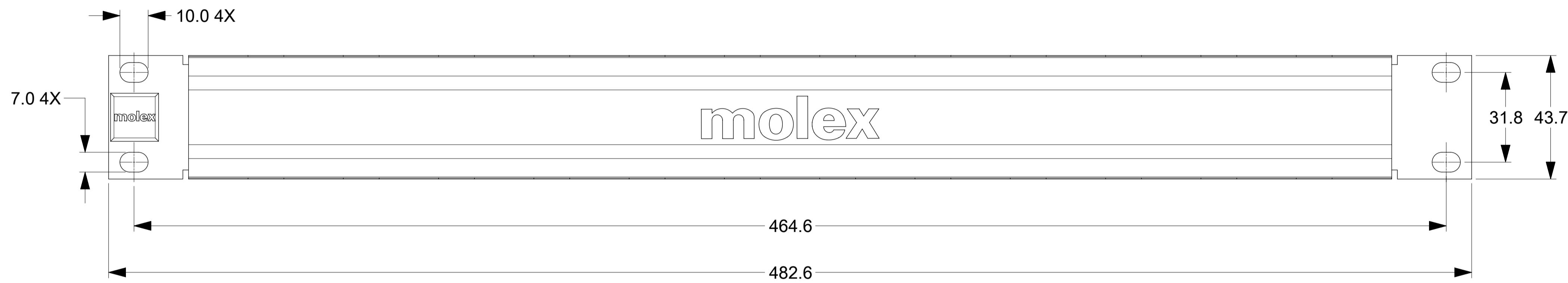
- A) CABLE MANAGEMENT PANEL - 16GA (1.6mm THK) CRS.
- B) CABLE MANAGEMENT COVER PLATE - ABS.

2. FINISH:

- A) CABLE MANAGEMENT PANEL :GRAPHITE GRAY POWDER COAT OR GOTHIC BLACK POWDER COAT
- B) CABLE MANAGEMENT COVER PLATE: COLOR IS MID GRAY OR FLAT BLACK

3. PACKING:

- CABLE MANAGEMENT PANEL IS PACKED IN CARTON BOX.
- THE FOLLOWING ITEMS ARE INCLUDED
- GLOBAL HARDWARE KIT



PART NUMBER CHART		
MPN NO.	SAP NO.	DESCRIPTION
25.C001G	180330001	1U CABLE MANAGEMENT PANEL GRAY
25.C001G-I	181050045	1U CABLE MANAGEMENT PANEL GRAY -IN
25.C001-04	181050044	1U CABLE MANAGEMENT PANEL BLACK
25.C001-04-I	181050046	1U CABLE MANAGEMENT PANEL BLACK -IN

THIS DRAWING CONTAINS INFORMATION THAT IS PROPRIETARY TO MOLEX ELECTRONIC TECHNOLOGIES, LLC AND SHOULD NOT BE USED WITHOUT WRITTEN PERMISSION

SAP EC NO : 10794936	2016/04/04	GENERAL TOLERANCES (UNLESS SPECIFIED)	DIMENSION UNITS	SCALE	molex [®]		
	2017/06/12		MM	1:1			
	2017/06/13		DRWN BY	DATE			
	UKOWSHIKARAN		2015/11/20				
EC NO: 107204 DRWN: UKOWSHIKARAN CHKD: SRAVAL01 REV/ APPR: RCG	2017/06/13	ANGULAR TOL ± 0.5 °	CHK'D BY	DATE	CABLE MANAGEMENT PANEL		
		4 PLACES ±	SRAVAL01	2017/06/12			
		3 PLACES ±	APPR BY	DATE			
		2 PLACES ±	RCG	2015/11/20			
1 PLACE ± 0.51	DRAWING SIZE	THIRD ANGLE PROJECTION	SERIES	MATERIAL NUMBER	CUSTOMER		
0 PLACES ±	A1		18033	SEE CHART	GENERAL MARKET		
DRAFT WHERE APPLICABLE MUST REMAIN WITHIN DIMENSIONS				DOCUMENT NUMBER	DOC TYPE	DOC PART	SHEET NUMBER
				SD-18033-001	PSD	000	1 OF 1