

NOTES:

1. MATERIAL:

- A. TOP COVER AND PANEL DOOR - ALUMINIUM (AL)
- B. BASE AND SLIDING DRAWER - COLD ROLLED STEEL (CRS)
- C. 6 PAK PANEL - COLD ROLLED STEEL (CRS)
- D. MOUNTING BRACKET - COLD ROLLED STEEL (CRS)

2. FINISH: FLAT BLACK POWDERCOAT.

3. ACCESSORY KIT CONTAINING THE FOLLOWING ITEMS IS PACKED IN A SEALED BAG.

DESCRIPTION	QTY
M3X0.5 NUT WITH FLAT WASHER	6
M5X0.8 KEP NUT	1
SCR NTS M5X0.8X8MM PAN PHL BLACK	4
FIBER MANAGEMENT RING	2
Copper post connector	1
Cable clip	4
Velcro Straps 3/4"x8"	4
LABEL-FMS2 LASER WARNING	2
LABEL 1U FIBER ENCLOSURE	1
GLOBAL HARDWARE KIT	1
MOUNTING BRACKET, 1U FIBER ENCLOSURE	2
INSTRUCTION SHEET 1U FIBER ENCLOSURES	1
BAG PLASTIC 12 X 9	1
BAG 40UMX100X150MM ZLOCK PS10015	1
WRAP ENCLOSER MOUNTING BRACKET	1
SCR NST M5X18 PAN PHL MS SS PN	2
SCR NST M5X35 COUNTER SUNK SLT MS SS PN	2

REFER TABLE A

- 4. MOUNTING BRACKET IS SHOWN IN ASSEMBLED CONDITION, WHERE AS IT IS WRAPPED IN A PAPER OR PLATIC SHEET AND PLACED INSIDE ENCLOSURE.
- 5. ENCLOSURE ALONG WITH THE ACCESSORY KIT AND FIBER PORT ID LABELS IS PACKED IN A CORRUGATED BOX.

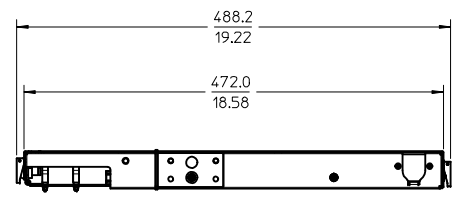
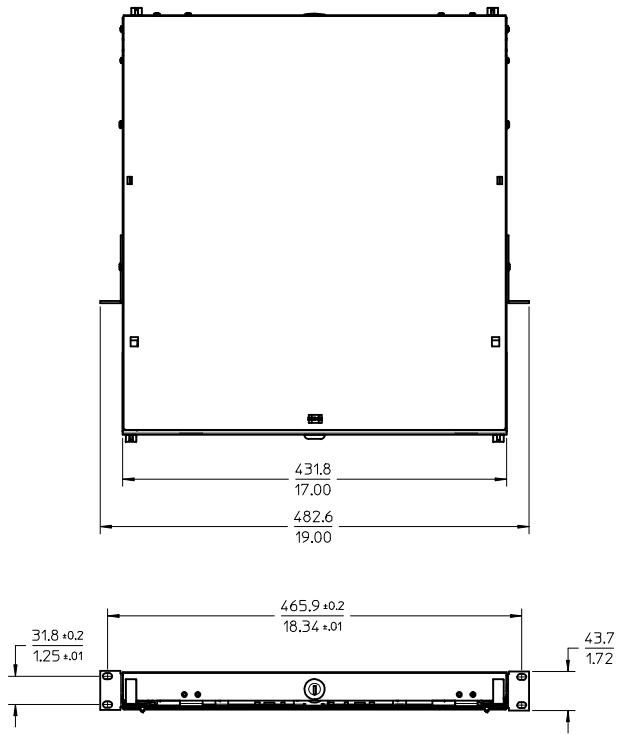


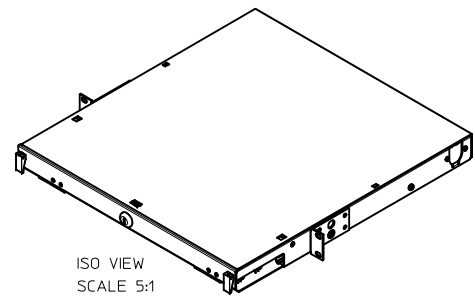
TABLE A

DESCRIPTION	QTY
RACK SCREW/CAGENUT/WASHER, BLACK-SET OF 4 KITS	1
MOUNTING HARDWARE KIT	1

RFR TBL B

TABLE B

DESCRIPTION	QTY
HDWE 12-24X1/2 PHIL PHMS-BLACK X	4
WASHER BLACK .40 OD X .225 ID X .04 THK	4
BAG MINI GRP 60MM X 60MM	1



ISO VIEW  
SCALE 5:1

PART NUMBER CHART	
MPN NO.	SAP NO.
RFR-00201	180370259

<b>ENTER DESCRIPTION</b> EC NO: MTS2013-0080 2013/06/26 DRW:HRM 2013/06/26 CHK:RCG 2013/07/11 APPR:RCG	QUALITY SYMBOLS ∇=0 ∇=0 ∇=0	GENERAL TOLERANCES (UNLESS SPECIFIED)		DIMENSION STYLE MM/IN	SCALE 1:4	DESIGN UNITS METRIC	THIRD ANGLE PROJECTION	
		4 PLACES ± --- ± ---	mm INCH	DRAWN BY PS03	DATE 2010/10/19	TITLE 1U FIBER ENCLOSURE		
		3 PLACES ± --- ± ---	± --- ± ---	CHECKED BY RGOPALAKRISH	DATE 2010/10/19	MATERIAL NO.		
		2 PLACES ± --- ± ---	± .016 ± ---	APPROVED BY RGOPALAKRISH	DATE 2010/11/29	DOCUMENT NO. SD-18037-041	SHEET NO. 1 OF 1	
ANGULAR ± --- °		DRAFT WHERE APPLICABLE MUST REMAIN WITHIN DIMENSIONS		SEE CHART	THIS DRAWING CONTAINS INFORMATION THAT IS PROPRIETARY TO MOLEX INCORPORATED AND SHOULD NOT BE USED WITHOUT WRITTEN PERMISSION			