

NOTES:

1. MATERIAL:

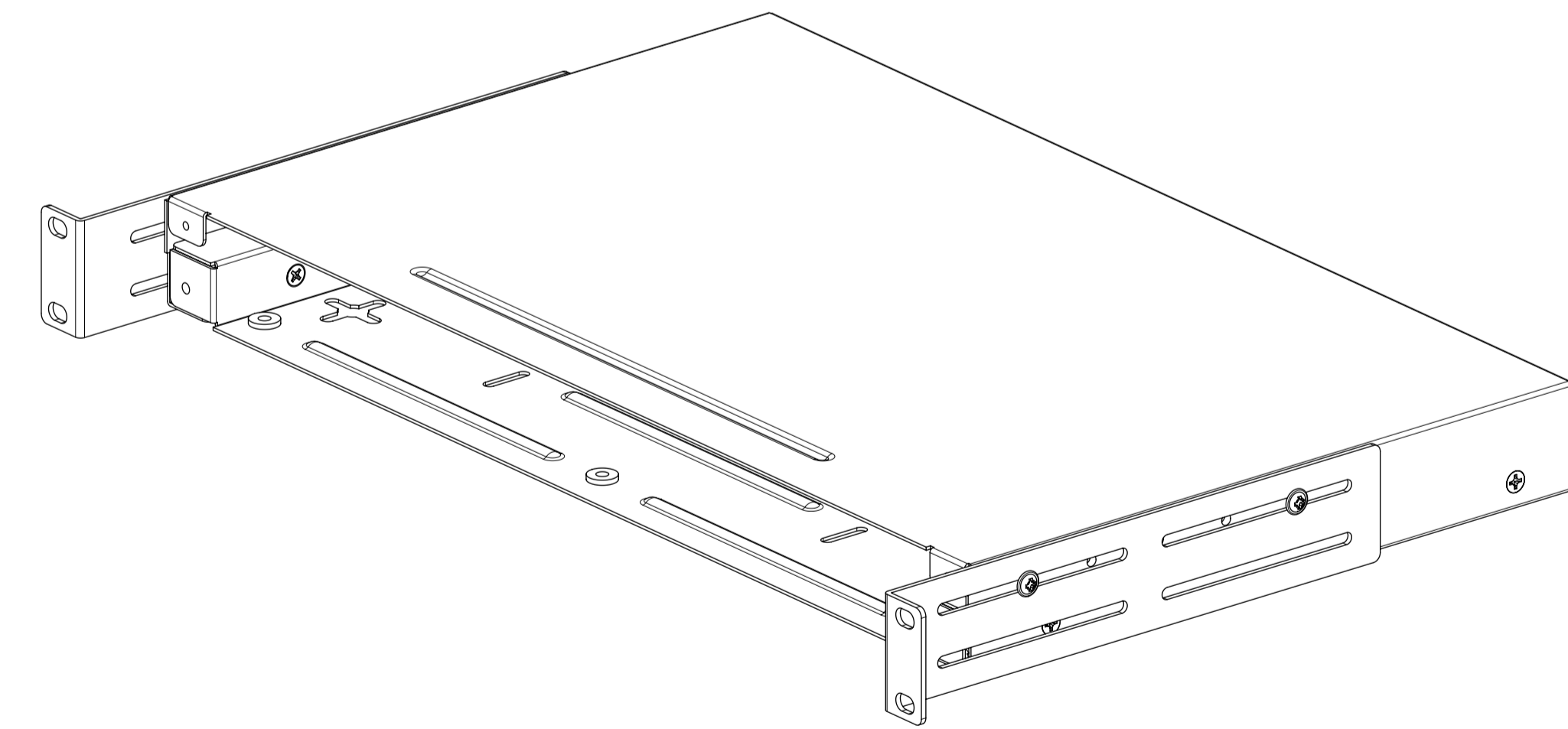
- A. TOP COVER AND PANEL DOOR - COLD ROLLED STEEL (CRS)
- B. BASE AND SLIDING DRAWER - COLD ROLLED STEEL (CRS)
- C. MOUNTING BRACKET - COLD ROLLED STEEL (CRS)

2. FINISH: GOTHIC BLACK TEXTURE POWDER COAT.

3. ACCESSORY KIT CONTAINING THE FOLLOWING ITEMS IS PACKED IN A SEALED BAG.

SL NO.	DESCRIPTON	QTY
1	CABLE MANAGEMENT HUB	1
2	KEVLAR RETENTION POST	1
3	GLOBAL HARDWARE KIT	1
4	BLANKING GROMMET 25MM-BLK	5
5	CABLE GLAND 9.5-13.2MM-M20	1
6	VELCRO 5"(12.7) WIDE x 8"(203.2) LONG	2
7	LASER HAZARD WARNING LABEL	1
8	CABLE TIE 8 INCH (100 BAG)	4

4. MOUNTING BRACKET IS ASSEMBLED TO ENCLOSURE, ALONG WITH THE INSTRUCTION SHEET AND ACCESSORY KIT IT IS PACKED IN A CORRUGATED BOX.



MPN NO.	SAP NO.	DESCRIPTION
RFR-00311-BK	180370287	MULTI FUNCTIONAL 1U ENCLOSURE BLACK

SYMBOLS		THIS DRAWING CONTAINS INFORMATION THAT IS PROPRIETARY TO MOLEX ELECTRONIC TECHNOLOGIES, LLC AND SHOULD NOT BE USED WITHOUT WRITTEN PERMISSION		CURRENT REV DESC: SAP EC NO: 10896779	
▽ = 0	DIMENSION UNITS	mm	SCALE	1:2	<p><b>molex</b></p> <p>MULTI-FUNCTION 1U ENCLOSURE</p> <p>PRODUCT CUSTOMER DRAWING</p>
▽ = 0	GENERAL TOLERANCES (UNLESS SPECIFIED)		EC NO: 176217		
▽ = 0	ANGULAR TOL ± 0.5°		DRWN: NKUMAR02 2017/12/04		
▽ = 0	4 PLACES	±	CHK'D: RCG 2018/06/22		
▽ = 0	3 PLACES	±	APPR: RCG 2018/06/25		
▽ = 0	2 PLACES	± 0.5	INITIAL REVISION:		
▽ = 0	1 PLACE	± 0.3	DRWN: MTAMBRALLI 2012/10/15		
▽ = 0	0 PLACES	±	APPR: RCG 2013/07/11		
▽ = 0	DRAFT WHERE APPLICABLE MUST REMAIN WITHIN DIMENSIONS		THIRD ANGLE PROJECTION	DRAWING	SERIES
▽ = 0				A1-SIZE	18037
		DOCUMENT NUMBER	DOC TYPE	DOC PART	REVISION
		SD-18037-102	PSD	001	C
		MATERIAL NUMBER	CUSTOMER	SHEET NUMBER	
		SEE CHART	GENERAL MARKET	1 OF 1	