

NOTES:

1. MATERIAL:

- A) ADAPTER PLATE : COLD ROLLED STEEL (CRS)
- B) ADAPTER HOUSING : POLYBUTYLENE TEREPHTHALATE (PBT)+FIBERGLASS
- C) PUSH FASTENER : NYLON (NYL)
- D) DUST CAP : POLYPROPYLENE(PP)

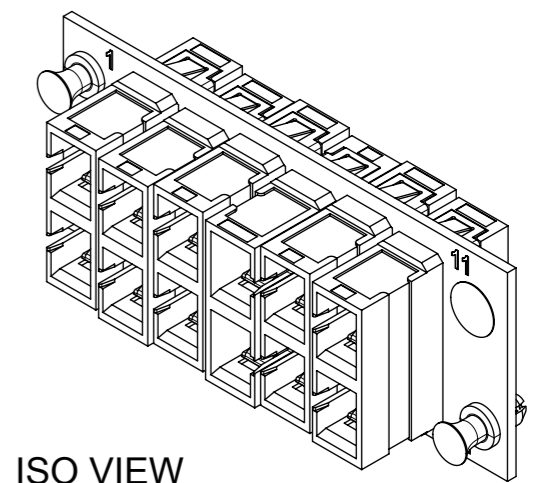
2. FINISH:

ADAPTER PLATE : BLACK POWDER COAT.

3. ACCOMODATES 6 DUPLEX SC ADAPTERS PER PLATE.

4. ASSEMBLY IS PACKAGED INDIVIDUALLY IN A BAG.

5. DUST CAPS ARE NOT SHOWN BUT, ASSEMBLED TO ADAPTERS.



ISO VIEW

PART NUMBER CHART

MPN NO.	SAP NO.	DESCRIPTION
AFR-00362	180600140	ADAPTER PLATE 12F DSC MM OM1/OM2 ZR SL BEIGE
AFR-00368	180600146	ADAPTER PLATE 12F DSC SM OS1/2 ZR SL BLUE
AFR-00374	180600152	ADAPTER PLATE 12F DSC MM OM3/OM4 ZR SL AQUA
AFR-00501	180600247	ADAPTER PLATE 12F DSC MM OM4 ZR SL EV
AFR-00442	180600177	ADAPTER PLATE 12F DSC SM OS1/2 ZR SL GRN APC
AFR-00678-LG	180600485	ADAPTER PLATE 12F DSC MM OM5 ZR SL LIMEGRN

SYMBOLS	THIS DRAWING CONTAINS INFORMATION THAT IS PROPRIETARY TO MOLEX ELECTRONIC TECHNOLOGIES, LLC AND SHOULD NOT BE USED WITHOUT WRITTEN PERMISSION		CURRENT REV DESC:		<b>molex</b>
	DIMENSION UNITS	SCALE			
▽ = 0	mm	1:1			ADAPTER PLATE 12F DSC MM/SM
▽ = 0	GENERAL TOLERANCES (UNLESS SPECIFIED)				
▽ = 0	ANGULAR TOL ± °				PRODUCT CUSTOMER DRAWING
▽ = 0	4 PLACES	±			
▽ = 0	3 PLACES	±			DOCUMENT NUMBER
▽ = 0	2 PLACES	± 0.5			
▽ = 0	1 PLACE	± 0.2			DOC TYPE
▽ = 0	0 PLACES	±			
□ = 0	DRAFT WHERE APPLICABLE MUST REMAIN WITHIN DIMENSIONS		THIRD ANGLE PROJECTION	DRAWING	SERIES
▽ = 0				A3-SIZE	18060
			MATERIAL NUMBER	CUSTOMER	SHEET NUMBER
			SD-18060-041	GENERAL MARKET	1 OF 1