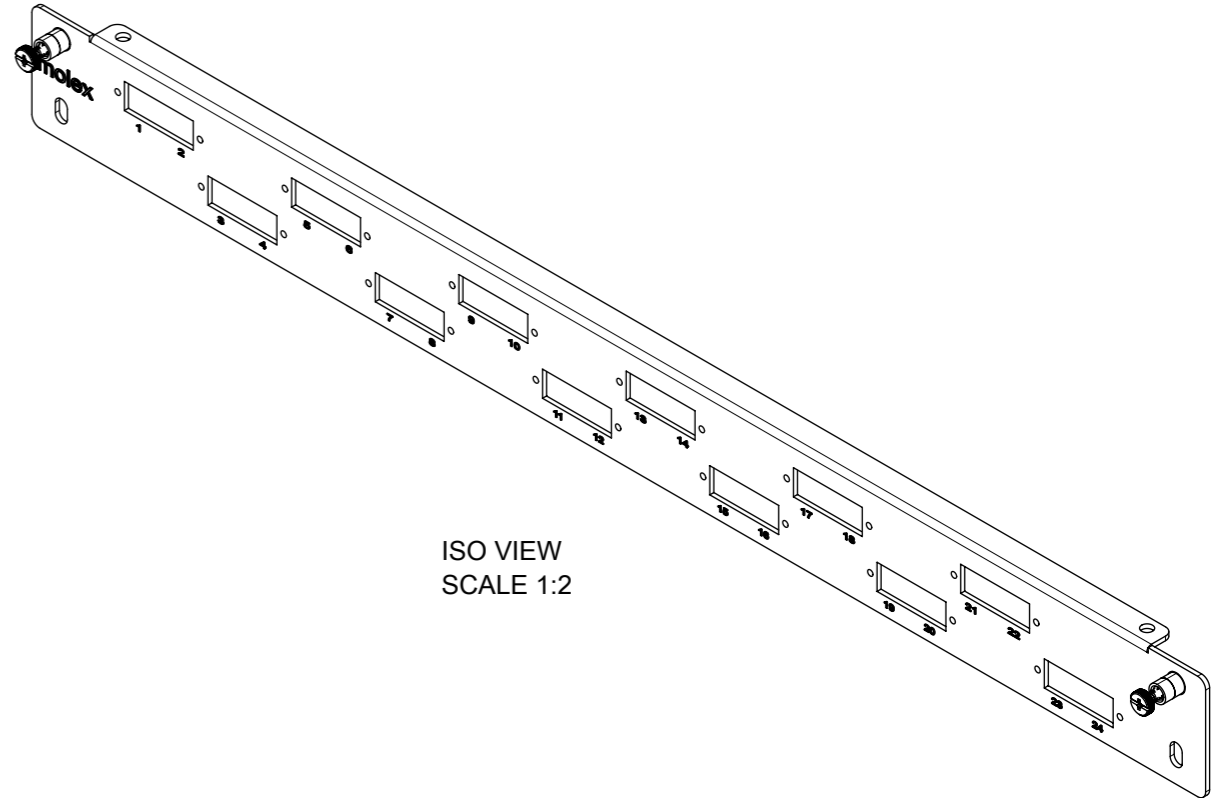
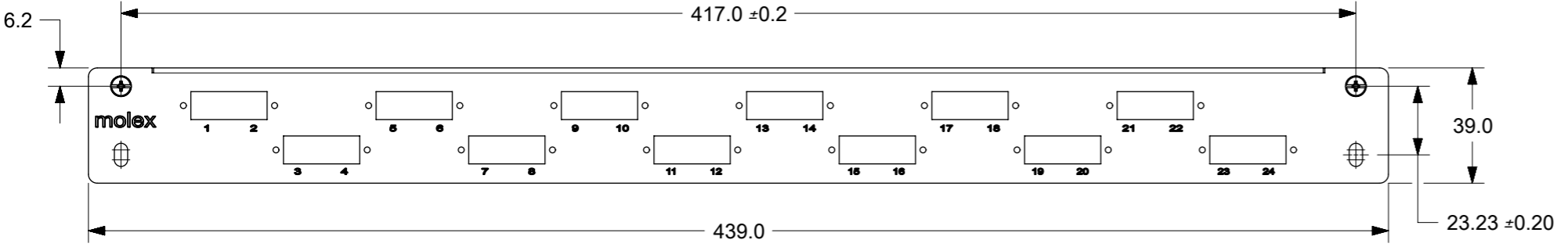
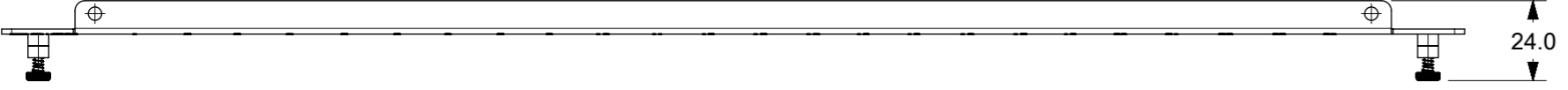


NOTES:  
 1. MATERIAL:  
 A) ADAPTER PLATE: COLD ROLLED STEEL (CRS)  
 B) CAPTIVE SCREW : ZINC PLATED HARDENED CARBON STEEL.  
 C) PHILLIPS PAN HEAD SCREW: GALVANIZED STEEL  
  
 2. FINISH:  
 ADAPTER PLATE : GOTHIC BLACK TEXTURE (RAL 000 15 00)  
 POWDER COAT.  
  
 3. ASSEMBLY IS PACKED INDIVIDUALLY IN A BOX.



PART NUMBER CHART		
MPN NO.	SAP NO.	DESCRIPTION
AFR-00480-04	180600379	ADAPT PLATE MFE 24F DSC UNLD BLACK

SYMBOLS ▽ = 0 ▽ = 0 ▽ = 0 ▽ = 0 ▽ = 0 ▽ = 0 ▽ = 0 ▽ = 0 ▽ = 0 ▽ = 0 ▽ = 0	THIS DRAWING CONTAINS INFORMATION THAT IS PROPRIETARY TO MOLEX ELECTRONIC TECHNOLOGIES, LLC AND SHOULD NOT BE USED WITHOUT WRITTEN PERMISSION DIMENSION UNITS: <b>mm</b> SCALE: <b>1:2</b>	CURRENT REV DESC:  EC NO: 615758 DRWN: UKOWSHIKARAN 2019/04/11 CHK'D: RCG 2019/05/07 APPR: RCG 2019/05/07  INITIAL REVISION: DRWN: MTAMBRALLI 2012/12/10 APPR: RCG 2013/07/11	<b>molex</b>		
	GENERAL TOLERANCES (UNLESS SPECIFIED) ANGULAR TOL ± 0.5°		ADAPTER PLATE MFE 24F DSC UNLD - BLACK		
	4 PLACES ± 3 PLACES ± 2 PLACES ± 1 PLACE ± 0.5 0 PLACES ±		PRODUCT CUSTOMER DRAWING		
	DRAFT WHERE APPLICABLE MUST REMAIN WITHIN DIMENSIONS		DOCUMENT NUMBER: <b>SD-18060-070</b> DOC TYPE: PSD DOC PART: 001 REVISION: C		
	THIRD ANGLE PROJECTION 	DRAWING: <b>A3-SIZE</b> SERIES: <b>18060</b>	MATERIAL NUMBER: SEE TABLE CUSTOMER: GENERAL MARKET	SHEET NUMBER: 1 OF 1	