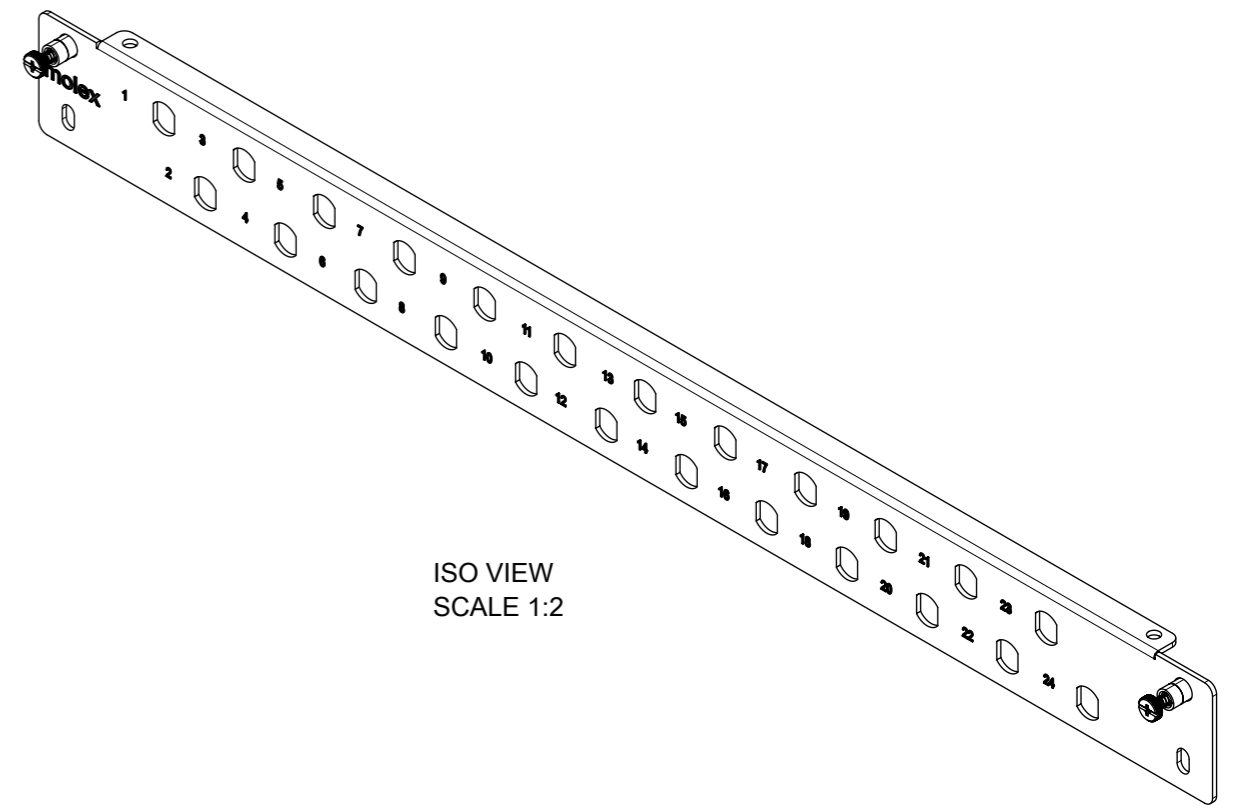
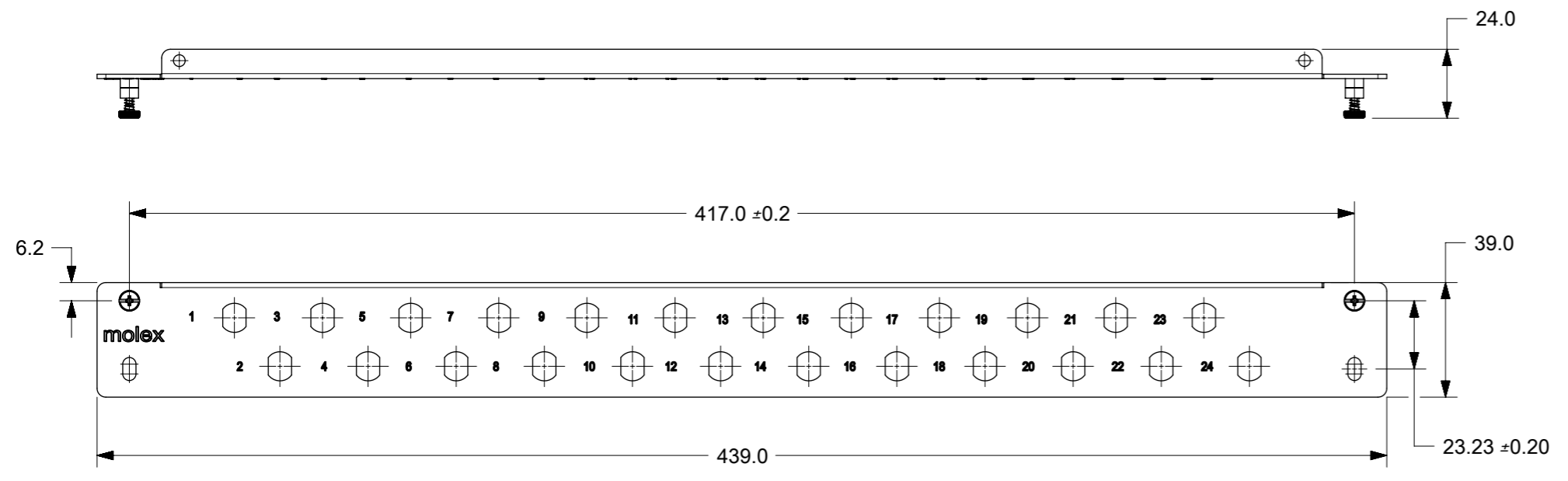


NOTES:
 1. MATERIAL:
 A) ADAPTER PLATE: COLD ROLLED STEEL (CRS)
 B) CAPTIVE SCREW : ZINC PLATED HARDENED CARBON STEEL.
 C) PHILLIPS PAN HEAD SCREW: GALVANIZED STEEL
 2. FINISH:
 ADAPTER PLATE : GOTHIC BLACK TEXTURE (RAL 000 15 00)
 POWDER COAT.
 3. ASSEMBLY IS PACKED INDIVIDUALLY IN A BOX.



PART NUMBER CHART		
MPN NO.	SAP NO.	DESCRIPTION
AFR-00484-04	180600382	ADAPTER PLATE MFE 24F FC/ST UNLD BLACK

SYMBOLS DIMENSION UNITS: mm SCALE: 1:2 GENERAL TOLERANCES (UNLESS SPECIFIED): ANGULAR TOL ± 0.5° 4 PLACES ± 3 PLACES ± 2 PLACES ± 1 PLACE ± 0.5 0 PLACES ± DRAFT WHERE APPLICABLE MUST REMAIN WITHIN DIMENSIONS	THIS DRAWING CONTAINS INFORMATION THAT IS PROPRIETARY TO MOLEX ELECTRONIC TECHNOLOGIES, LLC AND SHOULD NOT BE USED WITHOUT WRITTEN PERMISSION		CURRENT REV DESC: EC NO: 615758 DRWN: UKOWSHIKARAN 2019/04/11 CHK'D: RCG 2019/05/07 APPR: RCG 2019/05/07			
	ADAPTER PLATE MFE 24F FC/ST UNLD - BLACK		PRODUCT CUSTOMER DRAWING			
	INITIAL REVISION: DRWN: MTAMBRALLI 2013/04/02 APPR: RCG 2013/07/11		DOCUMENT NUMBER SD-18060-074	DOC TYPE PSD	DOC PART 001	REVISION C
	THIRD ANGLE PROJECTION	DRAWING A3-SIZE	SERIES 18060	MATERIAL NUMBER SEE TABLE	CUSTOMER GENERAL MARKET	SHEET NUMBER 1 OF 1