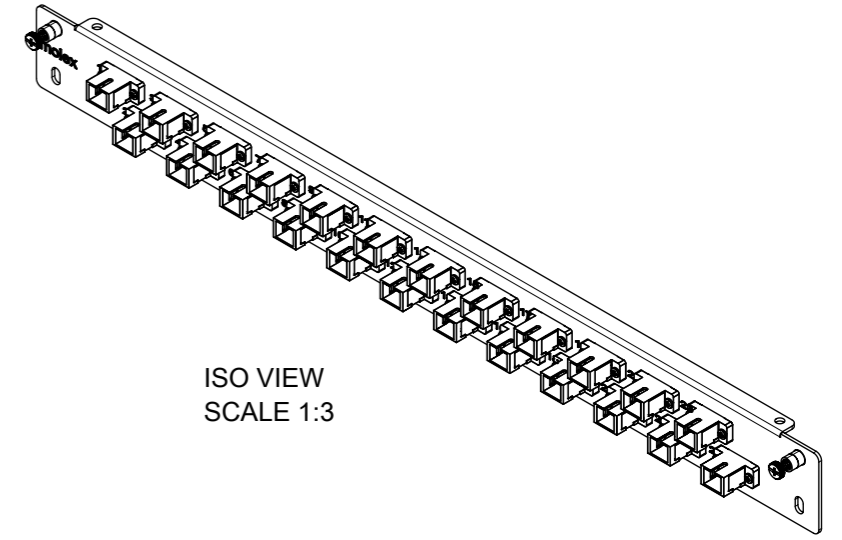
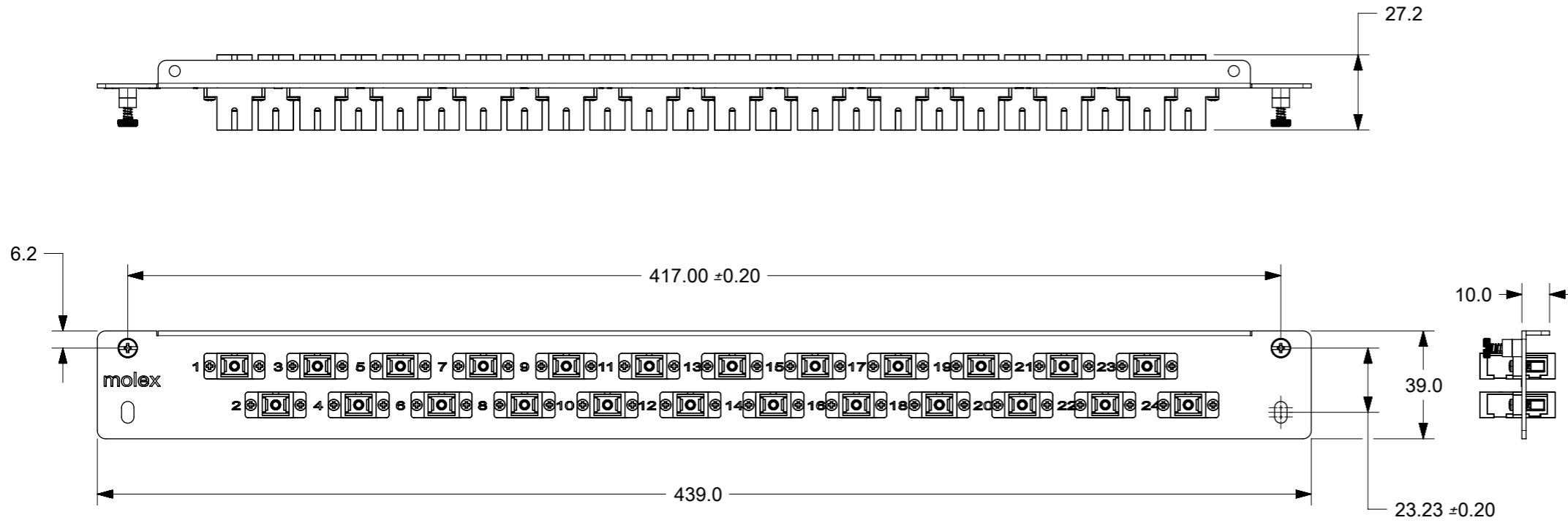


NOTES:

1. MATERIAL:
 - A) ADAPTER PLATE: COLD ROLLED STEEL (CRS)
 - B) ADAPTER HOUSING: PBT+ FIBERGLASS.
 - C) CAPTIVE SCREW : ZINC PLATED HARDENED CARBON STEEL
 - D) PHILLIPS PAN HEAD SCREW: GALVANIZED STEEL
 - E) DUST CAP: PP
2. FINISH:
 - ADAPTER PLATE : GOTHIC BLACK TEXTURE POWDER COAT.
3. ACCOMODATES 24 SC SMLPX ADAPTERS PER PLATE.
4. ASSEMBLY IS PACKED INDIVIDUALLY IN A BOX.
5. DUST CAPS ARE NOT SHOWN BUT, ASSEMBLED TO ADAPTERS.



PART NUMBER CHART

MPN NO.	SAP NO.	DESCRIPTION
AFR-00598-BL	180600392	ADAPT PLATE MFE 24F SM OS1/2 SC SPX BLU
AFR-00599-GR	180600393	ADAPT PLATE MFE 24F SM OS1/2 SC SPX GRN APC
AFR-00600-OL	180600402	ADAPT PLATE MFE 24F MM OM1/OM2 SC SPX BG
AFR-00601-AQ	180600403	ADAPT PLATE MFE 24F MM OM3/OM4 SC SPX AQ
AFR-00602-EV	180600404	ADPTR PLATE MFE 24F MM OM4 SC SPX EV
AFR-00669-LG	180600458	ADPTR PLATE MFE 24F MM OM4 SC SPX LIMEGR

SYMBOLS DIMENSION UNITS: mm SCALE: 1:2 GENERAL TOLERANCES (UNLESS SPECIFIED) ANGULAR TOL: ± ° 4 PLACES: ± 3 PLACES: ± 2 PLACES: ± 1 PLACE: ± 0.5 0 PLACES: ± DRAFT WHERE APPLICABLE MUST REMAIN WITHIN DIMENSIONS THIRD ANGLE PROJECTION	THIS DRAWING CONTAINS INFORMATION THAT IS PROPRIETARY TO MOLEX ELECTRONIC TECHNOLOGIES, LLC AND SHOULD NOT BE USED WITHOUT WRITTEN PERMISSION		CURRENT REV DESC: EC NO: 615758 DRWN: UKOWSHIKARAN 2019/04/11 CHK'D: RCG 2019/05/07 APPR: RCG 2019/05/07			
	ADAPTER PLATE MFE 24F SC SPX - BLACK		PRODUCT CUSTOMER DRAWING			
	INITIAL REVISION: DRWN: MTAMBRALLI 2012/09/27 APPR: RCG 2013/07/11		DOCUMENT NUMBER: SD-18060-050	DOC TYPE: PSD	DOC PART: 001	REVISION: C
	DRAFT WHERE APPLICABLE MUST REMAIN WITHIN DIMENSIONS		A3-SIZE	SERIES: 18060	MATERIAL NUMBER: SEE CHART	CUSTOMER: GENERAL MARKET