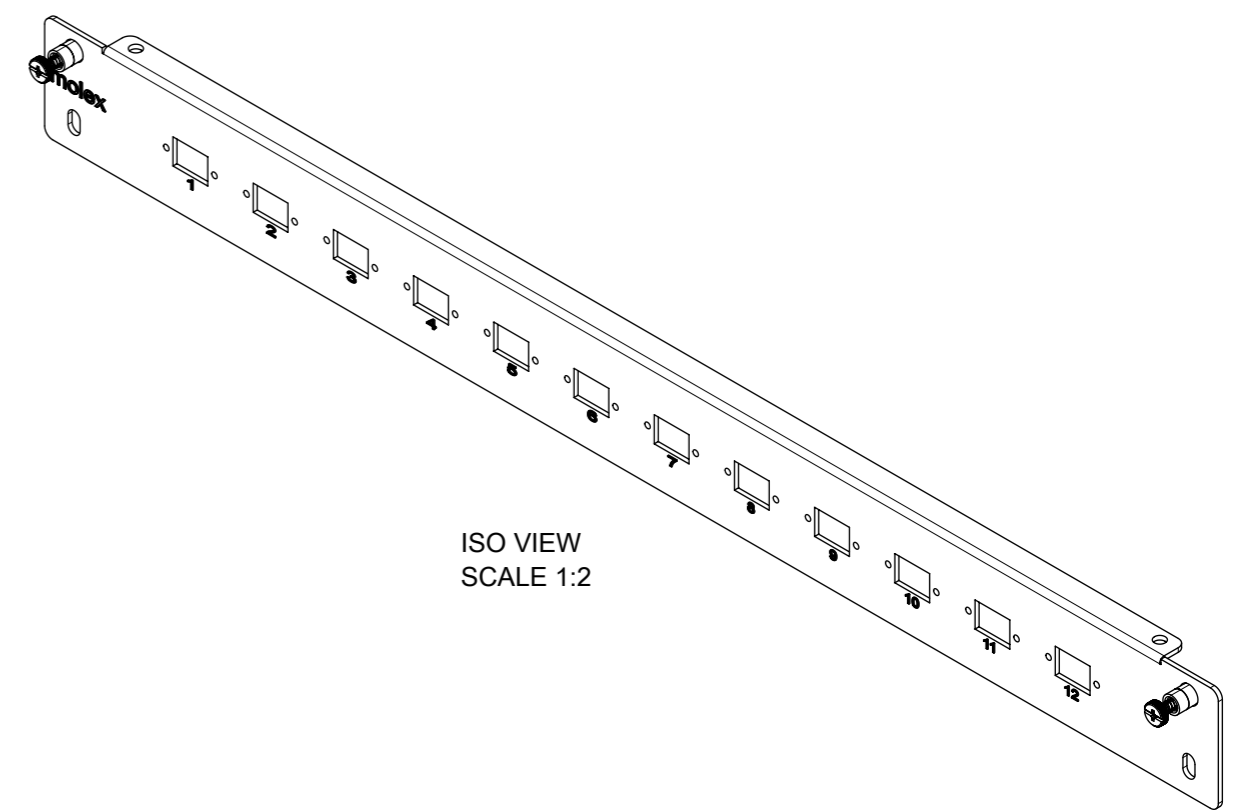


NOTES:

- MATERIAL:
  - A) ADAPTER PLATE: COLD ROLLED STEEL (CRS)
  - B) CAPTIVE SCREW : ZINC PLATED HARDENED CARBON STEEL.
  - C) PHILLIPS PAN HEAD SCREW: GALVANIZED STEEL
- FINISH:
  - ADAPTER PLATE : GOTHIC BLACK TEXTURE (RAL 000 15 00)
  - POWDER COAT.
- ASSEMBLY IS PACKED INDIVIDUALLY IN A BOX.



PART NUMBER CHART		
MPN NO.	SAP NO.	DESCRIPTION
AFR-00539-04	180600400	ADAPTER PLATE MFE 12F SC SPX UNLD BLACK

<b>SYMBOLS</b> ▽ = 0 ▽ = 0 ▽ = 0 ▽ = 0 ▽ = 0 ▽ = 0 ▽ = 0 ▽ = 0 ▽ = 0	THIS DRAWING CONTAINS INFORMATION THAT IS PROPRIETARY TO MOLEX ELECTRONIC TECHNOLOGIES, LLC AND SHOULD NOT BE USED WITHOUT WRITTEN PERMISSION DIMENSION UNITS: <b>mm</b> SCALE: <b>1:2</b> GENERAL TOLERANCES (UNLESS SPECIFIED) ANGULAR TOL ± 0.5° 4 PLACES ± 3 PLACES ± 2 PLACES ± 1 PLACE ± 0.5 0 PLACES ± DRAFT WHERE APPLICABLE MUST REMAIN WITHIN DIMENSIONS	CURRENT REV DESC: EC NO: 615758 DRWN: UKOWSHIKARAN 2019/04/11 CHK'D: RCG 2019/05/07 APPR: RCG 2019/05/07 INITIAL REVISION: DRWN: MTAMBRALLI 2014/01/28 APPR: RCG 2014/02/25	<b>molex</b>			
	ADAPTER PLATE MFE 12F SC SPX UNLD BLACK			PRODUCT CUSTOMER DRAWING		
	DOCUMENT NUMBER		DOC TYPE	DOC PART	REVISION	
	SD-18060-096		PSD	001	B	
	THIRD ANGLE PROJECTION	DRAWING	SERIES	MATERIAL NUMBER	CUSTOMER	SHEET NUMBER
		A3-SIZE	18060	SEE CHART	GENERAL MARKET	1 OF 1

DOCUMENT STATUS	P1	RELEASE DATE	2019/05/07	15:50:38
-----------------	----	--------------	------------	----------