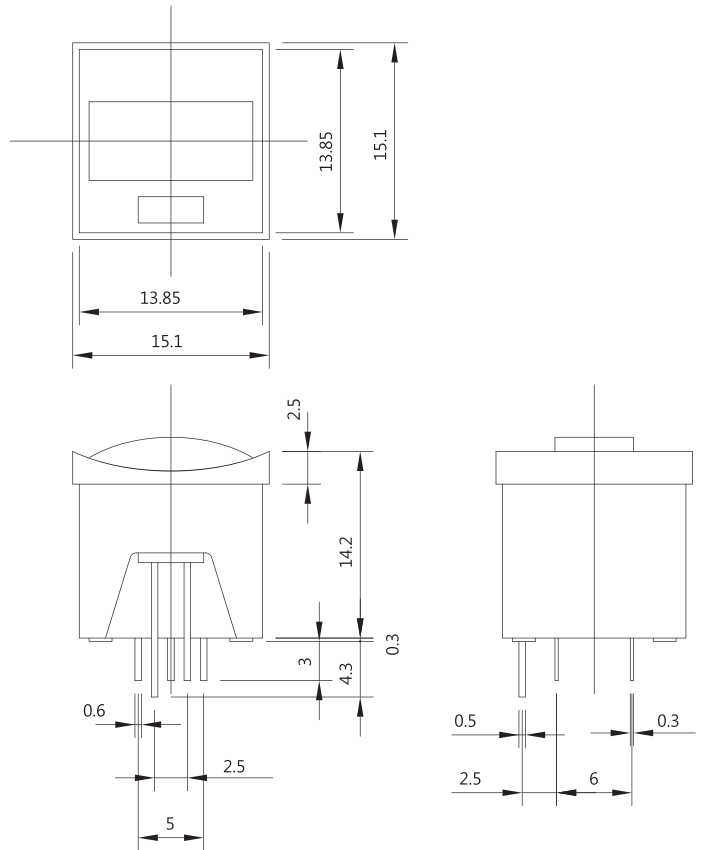


PUSH SWITCHES



DIMENSIONS

Unless otherwise specified, a tolerance of $\pm 0.4\text{mm}$ applies to all dimensions.



P2 SERIES

SPECIFICATIONS

Insulation Resistance (at 500VDC/minute)

Min. 100M Ω

Storage Temperature Range

-25°C to 65°C (with no icing)

Storage Humidity

AT 40°C, Max. 85% R.H

Operating Temperature Range

0°C to 55°C

Electrical Service Life

Min. 10,000 operations

Electrical Operating Frequency

10 operations per minute

LED Rating

Max. 20mA

Mechanical Service Life

Min. 100,000 operations

Mechanical Operating Frequency

30 operations per minute

Travel

Pre travel Max.1.5mm,

Total travel 2.5 \pm 0.5mm

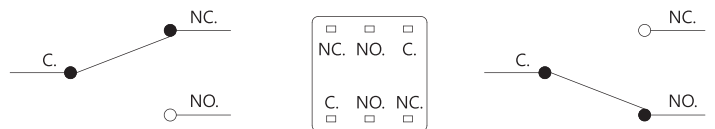
RATING

0.1A 30VDC

APPLICATIONS

Computer, Alarm, Coin-op phone,
Auto garage door

CONTACT CONFIGURATION



ORDERING INFORMATION

P	2	0	S	L	G	R	Z
SERIES PREFIX	CODE TYPE	CODE OPERATING FORCE	CODE TOP BUTTON TYPE	CODE CASE TYPE	CODE LED COLOR	ROHS CODE	
	0 NON LOCK	S NON LOCK 150 \pm 50g	R RED	G GRAY	R RED		
	1 LOCK	S LOCK 180 \pm 50g	L BLUE	B BLACK	E GREEN		
	2 NON LOCK CLICK		E GREEN		Y YELLOW		
			Y YELLOW		WITHOUT LED		
			N BROWN				
			O ORANGE				
			B BLACK				
			G GRAY				