

**PLEASE CHECK WWW.MOLEX.COM FOR LATEST PART INFORMATION**

**Part Number:** [0940304091](#)  
**Status:** **Active**  
**Description:** Quick Disconnect, Male for 4.00-6.00mm<sup>2</sup> (4-8 AWG) Wire, Accepts 6.35mm (.250") x 0.81mm (.032") Tab

**Documents:**

[Drawing \(PDF\)](#) [RoHS Certificate of Compliance \(PDF\)](#)

**General**

Product Family	Quick Disconnects
Series	<a href="#">94030</a>
Crimp Quality Equipment	Yes
Product Name	N/A
Type	Quick Disconnect

**Physical**

Barrel Type	Open
Gender	Male
Glow-Wire Compliant	No
Insulation	None
Lock to Mating Part	None
Material - Metal	Brass
Material - Plating Mating	Tin
Material - Plating Termination	Tin
Orientation	Straight
Packaging Type	Reel
Plating min: Mating (µin)	80
Plating min: Mating (µm)	2
Plating min: Termination (µin)	80
Plating min: Termination (µm)	2
Polarized to Mating Part	Yes
Tab Thickness	0.81mm (.032")
Tab Width	6.35mm (.250")
Temperature Range - Operating	-40°C to +80°C
Termination Interface: Style	Crimp or Compression
Wire Insulation Diameter	5.10mm (.200") max.
Wire Size AWG	4, 6, 8
Wire Size mm <sup>2</sup>	4.00 - 6.00

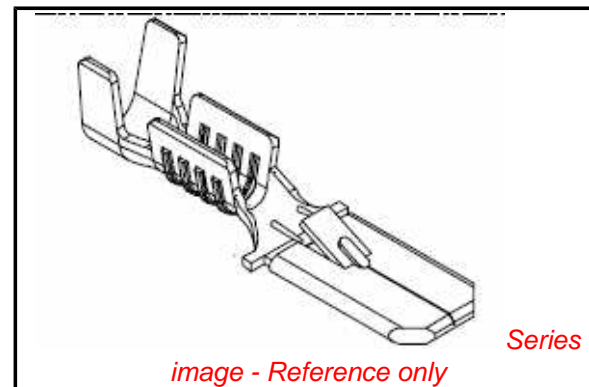
**Electrical**

Voltage - Maximum	250V
-------------------	------

**Material Info**

**Reference - Drawing Numbers**

Sales Drawing	94030-409X-SD
---------------	---------------



**EU RoHS**

**ELV and RoHS Compliant**  
**REACH SVHC Contains SVHC: No**  
**Halogen-Free Status**

**China RoHS**



**Need more information on product environmental compliance?**

Email [productcompliance@molex.com](mailto:productcompliance@molex.com)  
 For a multiple part number RoHS Certificate of Compliance, [click here](#)

Please visit the [Contact Us](#) section for any non-product compliance questions.

**Search Parts in this Series**

94030Series

**Use With**

Quick Disconnect Housing [94090](#) , [94502](#)

10 9 8 7 6 5 4 3 2 1

F

E

D

C

B

A

F

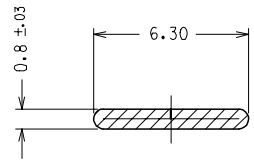
E

D

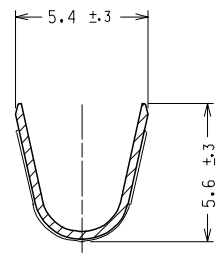
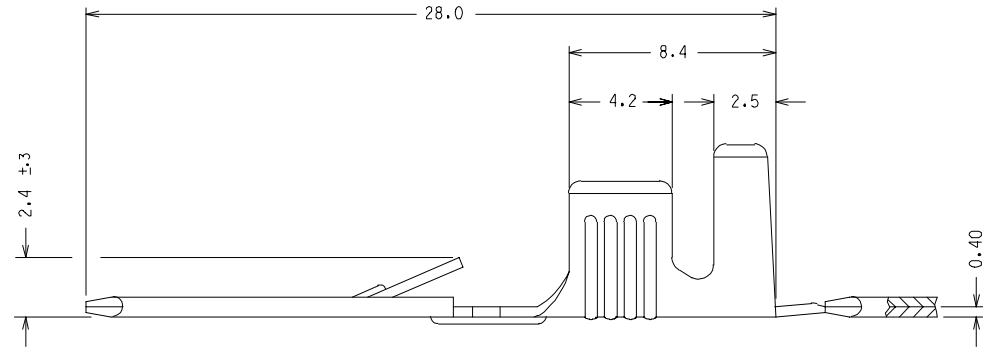
C

B

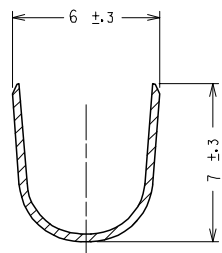
A



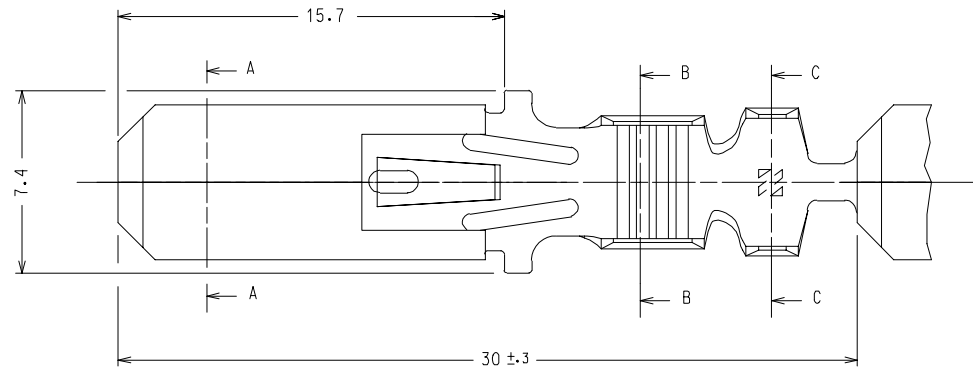
SECTION A - A



SECTION B - B



SECTION C - C



CODICE P/N	MATERIALE MATERIAL	FINITURA PLATING
94030-4090	OTTONE BRASS	GREGGIO/ PLAIN
94030-4091		STAGNATO/ TIN
94030-4092	BRONZO FOSF. PHOSPH. BRONZE	GREGGIO/ PLAIN
94030-4093		STAGNATO/ TIN

ENTER DESCRIPTION	2006/05/04
EC NO: Z2006-0193	2006/05/04
DRWN:FGOTTARD	2006/05/04
CHKD:RSANDANO	2006/05/08
APPR:GZUIN	
REV	DESCRIPTION
A2	

QUALITY SYMBOLS	▽=0
	∇=0

GENERAL TOLERANCES (UNLESS SPECIFIED)	
	mm INCH
4 PLACES	± --- ± ---
3 PLACES	± --- ± ---
2 PLACES	± 0.1 ± ---
1 PLACE	± 0.2 ± ---
ANGULAR ± 2 °	
DRAFT WHERE APPLICABLE MUST REMAIN WITHIN DIMENSIONS	

DIMENSION STYLE MM ONLY	
DRAWN BY	DATE
FGOTTARD	1989/12/22
CHECKED BY	DATE
APPROVED BY	DATE
MPREVIAT	1989/12/22
MATERIAL NO.	
SEE CHART	
SIZE	A3

SCALE	DESIGN UNITS	FIRST ANGLE PROJECTION
5:1	METRIC	
TITLE		
MALE TERMINAL 6.3X0.8 WIRE RANGE 4.0-6.0 MMQ INS.RANGE 3.8-5.1 MM		
MOLEX INCORPORATED		
MATERIAL NO.	DOCUMENT NO.	SHEET NO.
	94030-409X-SD	1 OF 1
THIS DRAWING CONTAINS INFORMATION THAT IS PROPRIETARY TO MOLEX INCORPORATED AND SHOULD NOT BE USED WITHOUT WRITTEN PERMISSION		

9 8 7 6 5 4 3 2 1