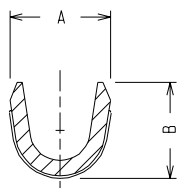
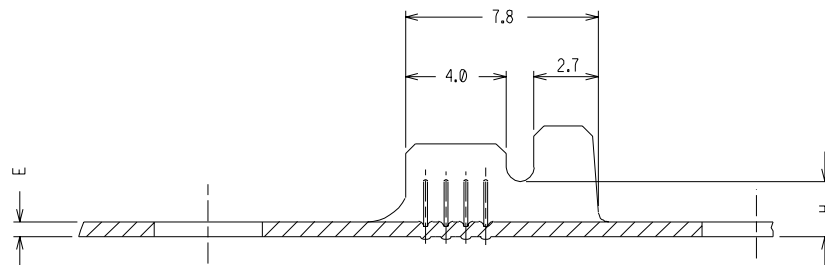
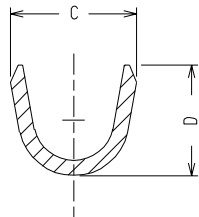


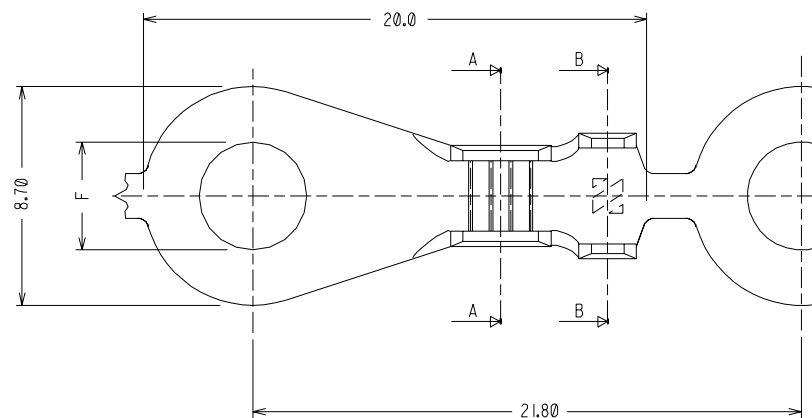
Sez. A - A



Sez. B - B



CODICE P/N	FINITURA PLATING	SEZ. RAME WIRE RANGE	Ø ISOLANTE INS. RANGE	DIMENSIONI / DIMENSION							
				A	B	C	D	E	F	H	
94511 - 1310	greggio/ plain	0.5 - 2.0	2.2 - 4.0	4.0	3.7	5.0	4.4	0.6	3.10	1.7	
94511 - 1311	stagnato/ tin										
94511 - 1410	greggio/ plain	0.5 - 2.0	2.2 - 4.0	4.0	3.7	5.0	4.4	0.6	4.30	1.7	
94511 - 1411	stagnato/ tin										
94511 - 1420	greggio/ plain	0.5 - 1.5	2.2 - 3.2	4.0	3.9	5.0	4.6	0.8	4.30	1.7	
94511 - 1421	stagnato/ tin										
94511 - 1510	greggio/ plain	0.5 - 2.0	2.2 - 4.0	4.0	3.7	5.0	4.4	0.5	5.20	1.7	
94511 - 1511	stagnato/ tin										
94511 - 1520	greggio/ plain	0.5 - 2.0	2.2 - 4.0	4.0	3.7	5.0	4.4	0.6	5.20	1.7	
94511 - 1521	stagnato/ tin										
94511 - 1610	greggio/ plain	0.5 - 2.0	2.2 - 4.0	4.0	3.7	5.0	4.4	0.6	6.30	1.7	
94511 - 1611	stagnato/ tin										
94511 - 2310	greggio/ plain	1.5 - 3.5	3.2 - 4.2	4.2	4.7	6.0	6.0	0.6	3.10	2.4	
94511 - 2311	stagnato/ tin										
94511 - 2410	greggio/ plain	1.5 - 3.5	3.2 - 4.2	4.2	4.7	6.0	6.0	0.6	4.30	2.4	
94511 - 2411	stagnato/ tin										
94511 - 2520	greggio/ plain	1.5 - 3.5	3.2 - 4.2	4.2	4.7	6.0	6.0	0.6	5.20	2.4	
94511 - 2521	stagnato/ tin										
94511 - 2610	greggio/ plain	1.5 - 3.5	3.2 - 4.2	4.2	4.7	6.0	6.0	0.6	6.30	2.4	
94511 - 2611	stagnato/ tin										



MATERIALE: OTTONE

MATERIAL: BRASS

B I ECN Z3-042 13-4-93 S.L.	B ECN Z2-123 17-6-92 S.L.	A EMESSO 28-04-89	LTR REVISIONS	DIMENSIONS SHOWN (METRIC) INCH		DRWG BY	REVISE ONLY ON CAD SYSTEM		SH.	REV.			
				UNLESS OTHERWISE SPECIFIED TOLERANCES ANGULAR ±		F. Gottardo		CADCAM FILENAME	THIS DRAWING CONTAINS INFORMATION THAT IS PROPRIETARY TO MOLEX INC AND SHOULD NOT BE USED WITHOUT WRITTEN PERMISSION				
				INCH (METRIC)		CHK'D BY	TITLE		9451115S	CAPOCORDA AD OCCHIELLO RING TONGUE TERMINAL			
				3 PLACE ±			APP'D BY	M. Previato		MOLEX INCORPORATED		SHEET NO. DATE	
2 PLACE ±	± 0,1		SCALE	5 : 1		VEDI TABELLA/SEE CHART		1 / 1 30-06-89					
1 PLACE	± 0,2		DESIGN DIMENSION (PRIMARY)	Ø (MM)	□ (IN)	PART NO.		DWG NO.					
			EQUIVALENT DIMENSION (SECONDARY)	Ø (MM)	□ (IN)	SD 94511 - XXXX M		SIZE					
								B					