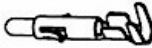

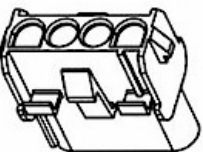


MATING TERMINALS

CRM21022
CRM21024

CRF21022
CRF21024
MATING HOUSINGS

CRF614

POSTFIX	COLOUR	CODE	MATERIAL	UL94	IEC 60335-1	Working Temp.	Approval
1	Nero / Black	CRM614	Nylon 66	V2	GWT 650 °C	130° C	UL
2	Rosso / Red						
3	Verde / Green	CRM614H	Nylon 66	V2	GWT 750 °C	130 °C	UL
4	Giallo / Yellow						
5	Blu / Blue	CRM614V	Nylon 46	V2	—	180 °C	UL
6	Marrone / Brown	CRM614V0	Nylon 6/66	V0	GWT 650 °C	140 °C	UL
7	Grigio / Grey	CRM614Z	Nylon 66	V0	GWT 750 °C	130 °C	UL
8	Viola / Violet						
9	Arancione/Orange	CRM614V0NF	Nylon 66	V0	GWT 750 °C	140 °C	UL

INDEX	DESCRIPTION	DATE
06	ADDED MATING HOUSINGS & TERMINALS	24 MAG 2015
05	UPDATED MATERIAL UL94-V0	22 FEB 2012
04	ADDED No Flame materials	14 SET 2011

NAME
CRM614
4 (1x4) WAY UNIVERSAL MALE HOUSING
Ø 2,10mm SERIES



mikropla

MIKROPLA s.r.l. Via Giovanni Pascoli, 36 - 60044 FABRIANO (AN) - IT

Questo disegno è un documento distribuito in forma controllata, a termine di legge Mikropla si riserva la sua proprietà con divieto di uso e riproduzione. Esso è soggetto ad aggiornamenti, contattare l'ufficio tecnico per la versione più recente. This drawing is a controlled document. It is subject to change and the controlling engineering organization should be contacted for the latest revision.

TOLERANCES UNLESS OTHERWISE SPECIFIED :
0 PLC ± 0.5
1 PLC ± 0.3
2 PLC ± 0.1
ANGLES ± 2'

MATERIAL : SEE TABLE
WEIGHT : —
FINISH : —

DWN. : C.S.
DATE : 04 SET 2009
CHK. : G.C.
DATE : 24 MAG 2015
REV. : 06

DIMENSIONS : mm
SCALE : 2:1
SIZE : A4
SHEET 1 OF 1