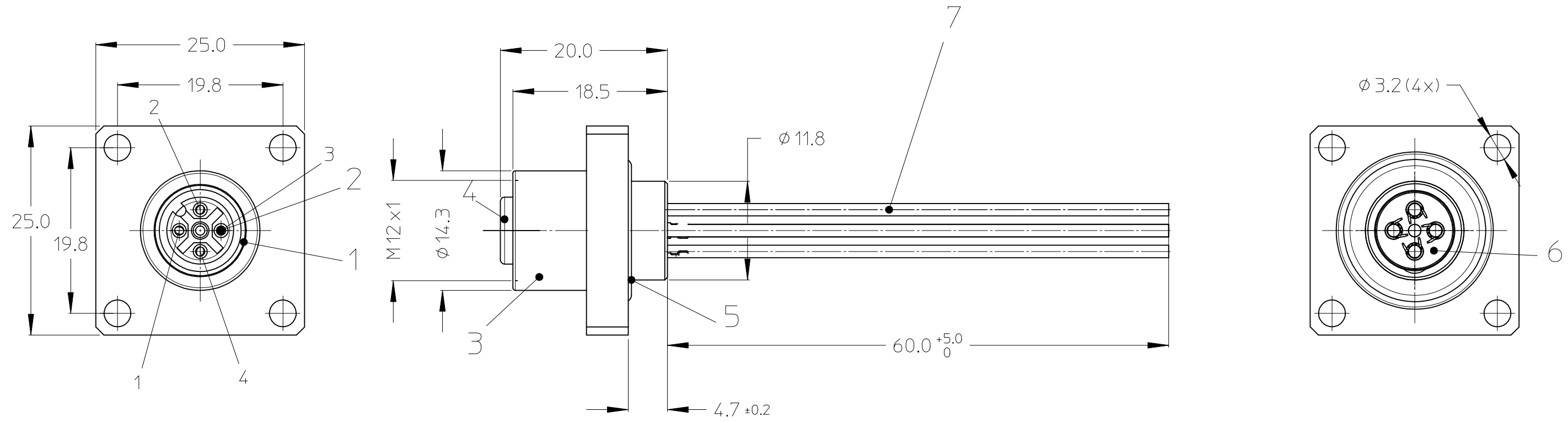


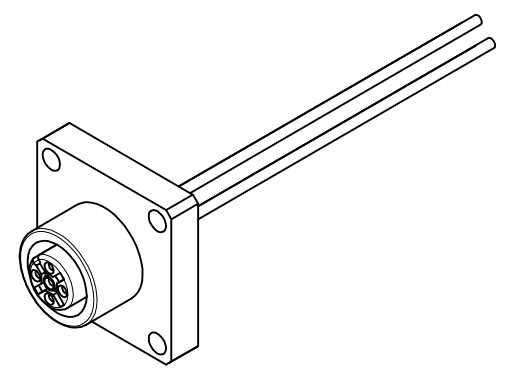
UL-Litze Style 3266 AWG24 125°C 300V AWM Halogenfree



VIEW FRONT SIDE

PIN	WIRE COLOR
1	BROWN
2	WHITE
3	BLUE
4	BLACK

VOLTAGE RATING	250V AC/DC
AMPERAGE RATING	max. 4AMPS
PROTECTION	IP67
OPERATING TEMPERATURE CONNECTOR	-25°C - +90°C
OPERATING TEMPERATURE STRAND	max. 125°C



ITEM	COMPONENT	MATERIAL	FINISH
1	O-RING	FKM	---
2	PIN CONTACT	BRASS	CuZn Ni/Au
3	REC. SHELL FEMALE	BRASS	Ni PLATED
4	INSERT	PUR	BLACK
5	O-RING 14.0x1.5	FKM	---
6	POTTING MATERIAL	EPOXY	---
7	STRAND	---	---

ENTER DESCRIPTION  
 EC NO: IPG2014-0740  
 DRWN: REISSNER 2013/10/24  
 CHKD: APOHL 2013/10/24  
 APPR: APOHL 2013/11/07

QUALITY SYMBOLS  
 ▼=0  
 ▽=0

GENERAL TOLERANCES (UNLESS SPECIFIED)

	mm	INCH
4 PLACES	± ---	± ---
3 PLACES	± ---	± ---
2 PLACES	± 0.05	± ---
1 PLACE	± 0.30	± ---
0 PLACE	± 0.50	± ---

ANGULAR ± 1 °  
 DRAFT WHERE APPLICABLE  
 MUST REMAIN WITHIN DIMENSIONS

DIMENSION STYLE  
**MM ONLY**

DRAWN BY	DATE
REISSNER	2013/03/08
CHECKED BY	DATE
APOHL	2013/10/24
APPROVED BY	DATE
CBURGER	2013/07/29

MATERIAL NO.  
**1200700511**

SCALE  
**2:1**

DESIGN UNITS  
**METRIC**

THIRD ANGLE PROJECTION

TITLE  
**REC M12 4P AC FE 6CM FM  
 WIR BRA AU**

**molex**

DOCUMENT NO.  
**RSD-120070-030**

SHEET NO.  
**1 OF 1**