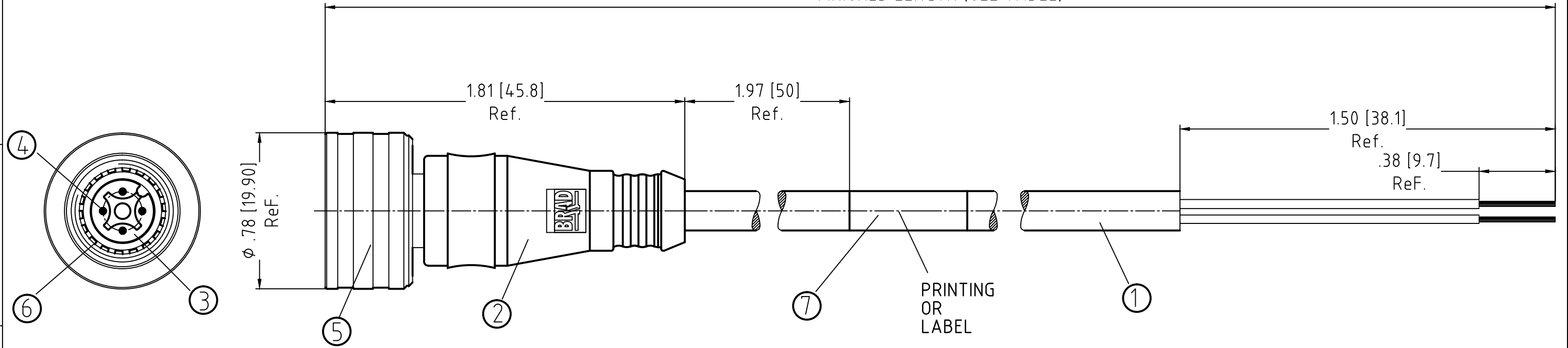


FINISHED LENGTH (SEE TABLE)

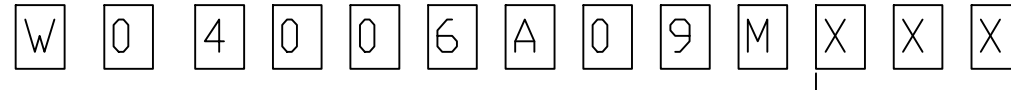


POL	MATERIAL NUMBER	ENGINEERING NUMBER	FINISHED LENGTH
4	1200790107	W04006A09M020	6.56' +3.5" -0 [2.0M +89 -0]

CONNECTOR SPECIFICATION:

VOLTAGE RATING	250 VAC/VDC
AMPERAGE RATING	max. 4 AMPS
PROTECTION	IP67/68/69K
OPERATING TEMPERATURE	-20°C TO 105°C
UL CERTIFICATIONS	UL RECOGNIZED, FILE NO. E152210
ASSEMBLY IS	RoHS COMPLIANT
CABLE O.D.	.200±.10[5.08±.25]
BEND RADIUS	10XCABLE O.D.

PART No MATRIX



MALE FACE VIEW
4-POLE

WIRING DIAGRAM

1 BROWN
2 WHITE
3 BLUE
4 BLACK

ITEM	COMPONENT	MATERIAL	FINISH
7	LABLE	MYLAR	BLACK/YELLOW
6	O-RING	VITON	GREEN
5	COUPLER	BRASS	NICKEL PLATED
4	PIN CONTACT	COPPER ALLOY	GOLD OVER NICKEL
3	INSERT	NYLON	BLACK
2	OVERMOLD	TPE (PUR)	YELLOW
1	CABLE- 22/4 AWG (COPPER STRANDING) 4 CONDUCT. 300V	JACKET: PVC	JACKET: YELLOW

ADD PN SCHEME EC NO.: IPG2013-1719 DRWN: TWOLDEGE CHKD: BRUPERT APPR: BWOODMAN 6/26/13 2010/02/15	QUALITY SYMBOLS ▽ = 0 ▽/C = 0	GENERAL TOLERANCES (UNLESS SPECIFIED)		DIMENSION STYLE IN/MM	SCALE NTS	DESIGN UNITS METRIC	THIRD ANGLE PROJECTION	
		4 PLACES ±---	±---	DRAWN BY LSTEMMLE	DATE 2010/02/10	MICRO-CHANGE ULTRA LOCK 4-POLE MALE STRAIGHT #22/3 YELLOW PVC CABLE		
		3 PLACES ±---	±---	CHECKED BY FP	DATE 2010/02/10			
		2 PLACES ±---	±.01	APPROVED BY FPACHER	DATE 2010/02/15	MOLEX INCORPORATED		
		1 PLACE ±0.3	±---	MATERIAL NO.	SEE TABLE	DOCUMENT NO. SD-120079-024	SHEET NO. 1 OF 1	
		ANGULAR ± --- °		THIS DRAWING CONTAINS INFORMATION THAT IS PROPRIETARY TO MOLEX INCORPORATED AND SHOULD NOT BE USED WITHOUT WRITTEN PERMISSION				
DRAFT WHERE APPLICABLE MUST REMAIN WITHIN DIMENSIONS								
2	REV							