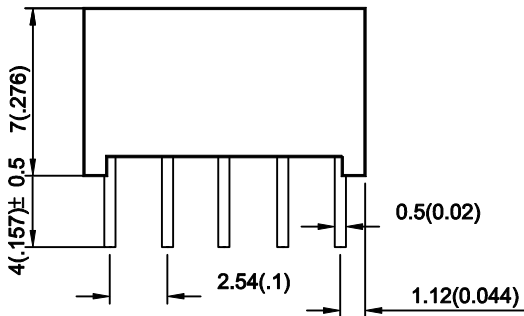
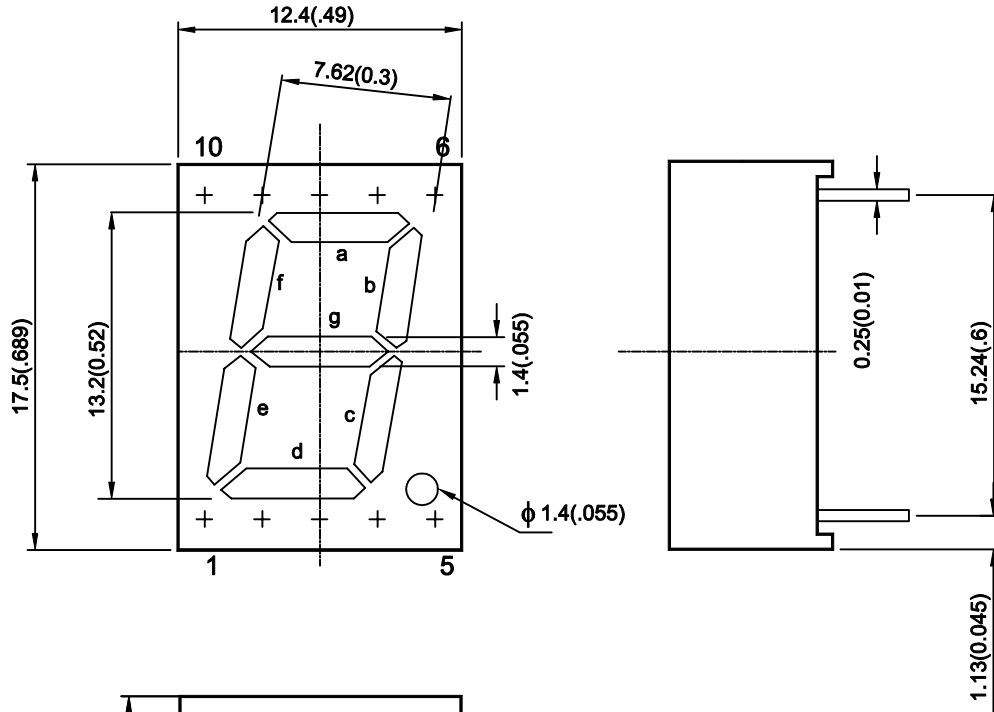
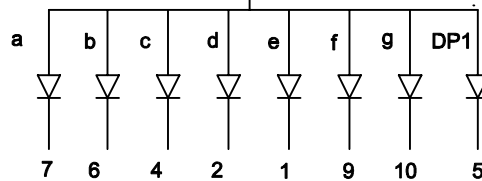


0.52 INCH SEVEN SEGMENT DISPLAY



UNIT : MM(INCH)
 TOLERANCE : $\pm 0.25[\pm 0.01]$ UNLESS OTHERWISE NOTED

PIN NO 3,8
 COMMON ANODE



Selection Guide

Part No.	Dice	Lens Type	Iv (ucd) @10mA		Surface Color
			Min.	Typ.	
SA52-11EWA	HIGH EFFICIENCY RED (GaAsP/GaP)	WHITE DIFFUSED	1900	6400	GRAY

APPROVED:

J.Lu

CHECKED:

A.Ting

DRAWN :

L.N. Sheu

SCALE :

3 : 1

DATA NO. : F7125

V.1

DATE : JUL/14/2000