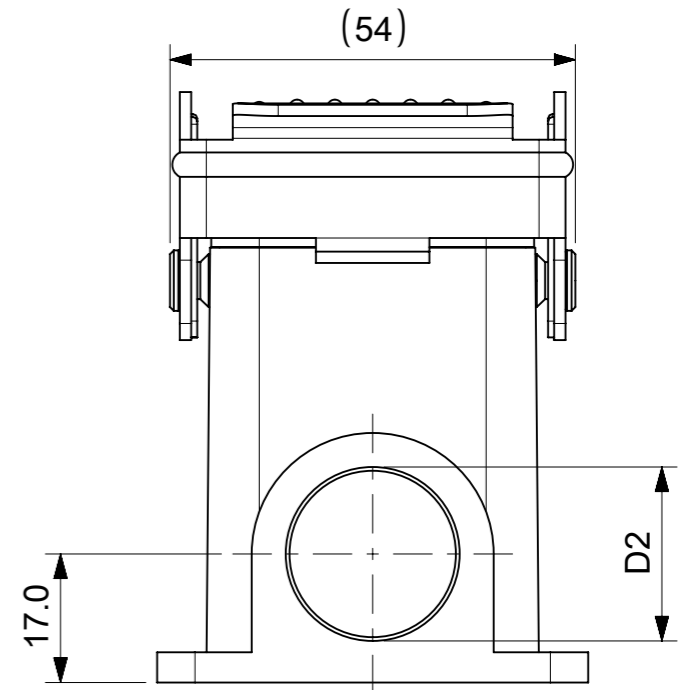
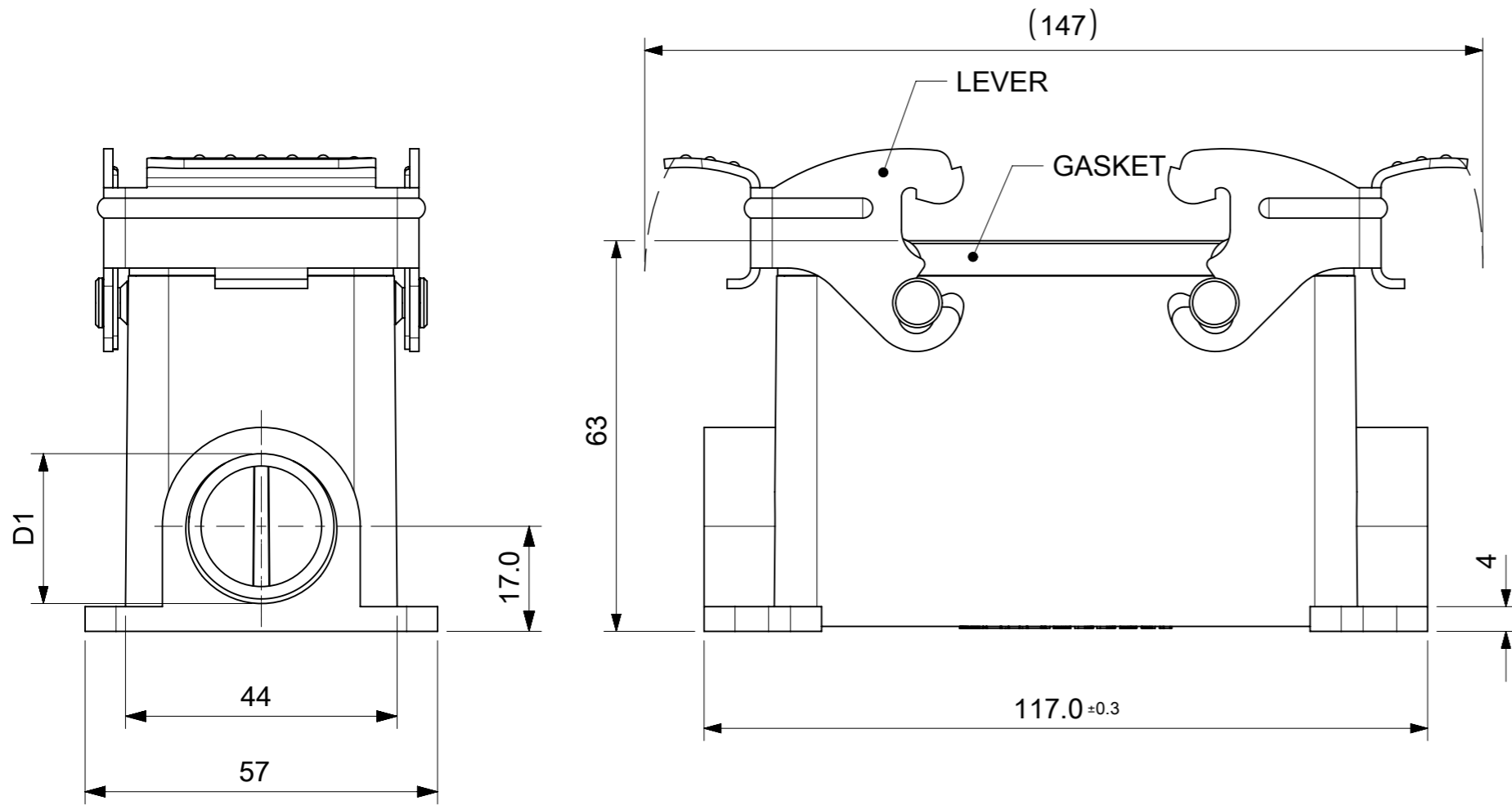
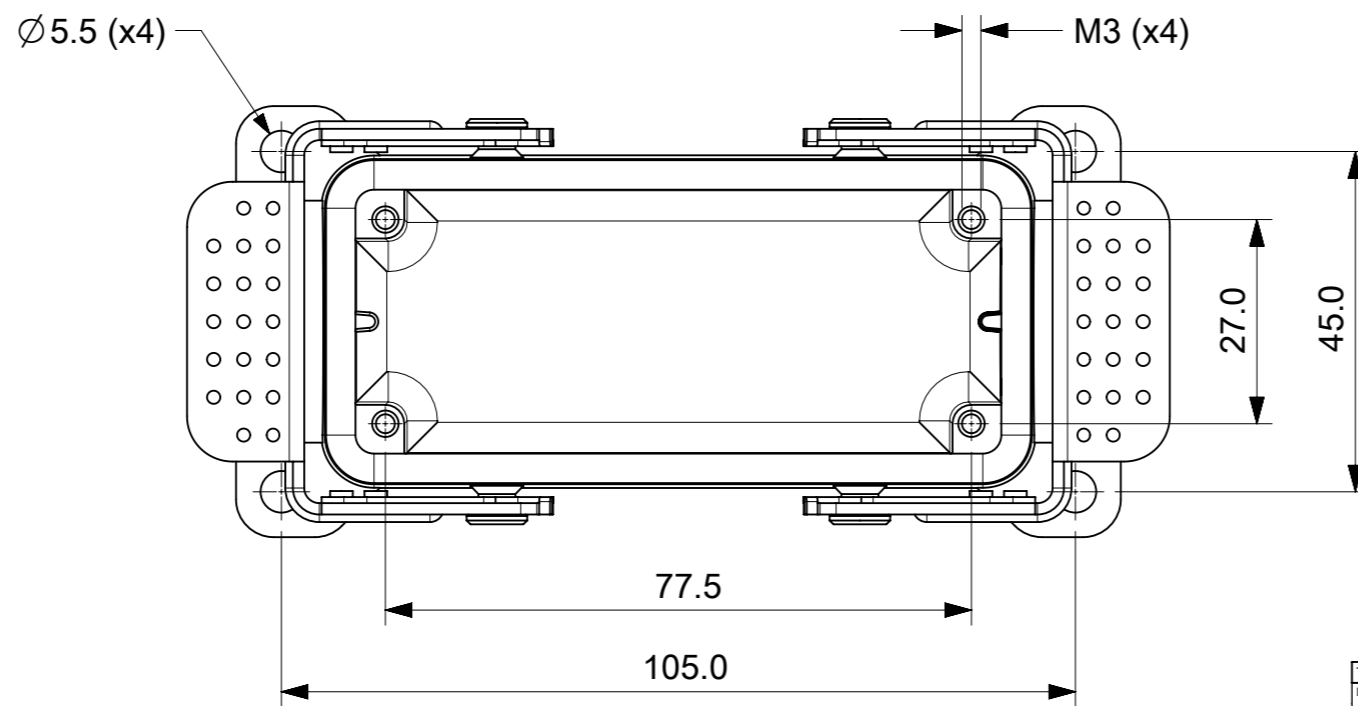


# STANDARD VERSION

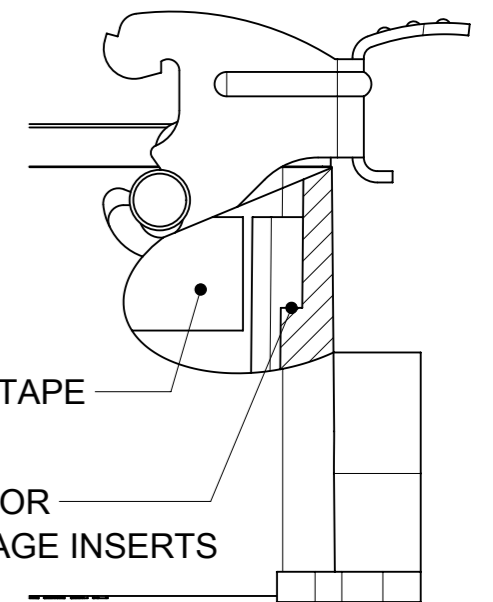


# HIGH VOLTAGE VERSION



INSULATING ADHESIVE TAPE  
ON BOTH SIDES

SUITABLE FOR  
HIGH VOLTAGE INSERTS



THIS DRAWING CONTAINS INFORMATION THAT IS PROPRIETARY TO MOLEX ELECTRONIC TECHNOLOGIES, LLC AND SHOULD NOT BE USED WITHOUT WRITTEN PERMISSION									
DIMENSION UNITS		SCALE		CURRENT REV DESC:					
mm		1:1		<b>molex</b> 16B SURFACE HOUSING 2 LEVERS SERIES PRODUCT CUSTOMER DRAWING EC NO: 659372 DRWN: VHANDI 2019/10/10 CHK'D: AKABADI 2021/03/26 APPR: MBIZZOZERO 2021/03/27 INITIAL REVISION: DRWN: VHANDI 2019/10/10 APPR: MBIZZOZERO 2021/03/27					
GENERAL TOLERANCES (UNLESS SPECIFIED)									
ANGULAR TOL ± 0.1°									
4 PLACES ±									
3 PLACES ±									
2 PLACES ±									
1 PLACE ± 0.1				DOCUMENT NUMBER		DOC TYPE		DOC PART	
0 PLACES ± 0.3				936012561		PSD		000	
DRAFT WHERE APPLICABLE MUST REMAIN WITHIN DIMENSIONS		FIRST ANGLE PROJECTION		DRAWING		SERIES		MATERIAL NUMBER	
				A3-SIZE		93601		SEE TABLE 1	
				GENERAL MARKET		CUSTOMER		SHEET NUMBER	
						1 OF 2			

TABLE 1	PRODUCTS TABLE			
MATERIAL No.	Eng.No.	TYPE	D1	D2
936012561	7816.6374.0	STD	M25x1.5	-
936012566	7816.6375.0		M25x1.5	M25x1.5
936012539	7816.6324.0		Pg21	-
936012544	7816.6325.0		Pg21	Pg21
936012563	7816.6374.2	HV	M25x1.5	-
936012568	7816.6375.2		M25x1.5	M25x1.5
936012541	7816.6324.2		Pg21	-
936012546	7816.6325.2		Pg21	Pg21
936012562	7816.6374.1	HE	M25x1.5	-
936012567	7816.6375.1		M25x1.5	M25x1.5
936012540	7816.6324.1		Pg21	-
936012545	7816.6325.1		Pg21	Pg21
936012564	7816.6374.3	HE-HV	M25x1.5	-
936012569	7816.6375.3		M25x1.5	M25x1.5
936012542	7816.6324.3		Pg21	-
936012547	7816.6325.3		Pg21	Pg21
936012565	7816.6374.4	EMC	M25x1.5	-
936012570	7816.6375.4		M25x1.5	M25x1.5
936012543	7816.6324.4		Pg21	-
936012548	7816.6325.4		Pg21	Pg21

TABLE 2	PRODUCTS VERSION	
TYPE	DESCRIPTION	COLOR
STD	Standard version	Grey RAL 7037
HV	Standard version for High Voltage inserts	
HE	Harsh Enviromental version	Black RAL 9005
HE-HV	Harsh Enviromental version for High Voltage inserts	
EMC	Electromagnetic Compatibility version	Aluminum

THIS DRAWING CONTAINS INFORMATION THAT IS PROPRIETARY TO MOLEX ELECTRONIC TECHNOLOGIES, LLC AND SHOULD NOT BE USED WITHOUT WRITTEN PERMISSION									
DIMENSION UNITS	SCALE	CURRENT REV DESC:			<b>molex</b>				
mm	1:1								
GENERAL TOLERANCES (UNLESS SPECIFIED)		EC NO: 659372			16B SURFACE HOUSING 2 LEVERS SERIES				
ANGULAR TOL ± 0.1°		DRWN: VHANDI 2019/10/10							
4 PLACES ±	CHK'D: AKABADI 2021/03/26			PRODUCT CUSTOMER DRAWING					
3 PLACES ±	APPR: MBIZZOZERO 2021/03/27								
2 PLACES ±	INITIAL REVISION:			DOCUMENT NUMBER		DOC TYPE	DOC PART	REVISION	
1 PLACE ± 0.1	DRWN: VHANDI 2019/10/10			936012561		PSD	000	A	
0 PLACES ± 0.3	APPR: MBIZZOZERO 2021/03/27								
DRAFT WHERE APPLICABLE MUST REMAIN WITHIN DIMENSIONS	FIRST ANGLE PROJECTION	DRAWING	SERIES	MATERIAL NUMBER	CUSTOMER		SHEET NUMBER		
		A3-SIZE	93601	SEE TABLE 1	GENERAL MARKET		2 OF 2		