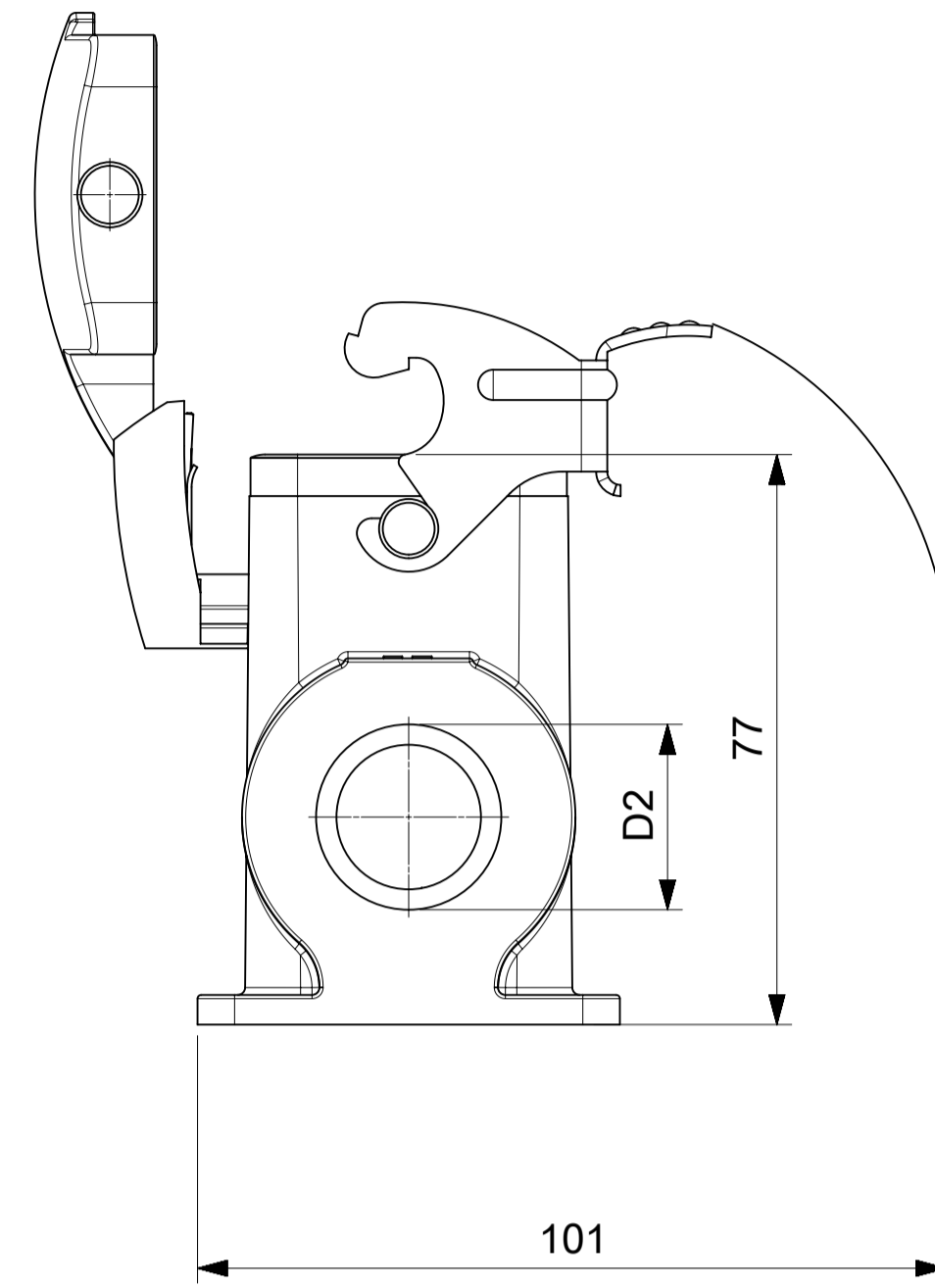
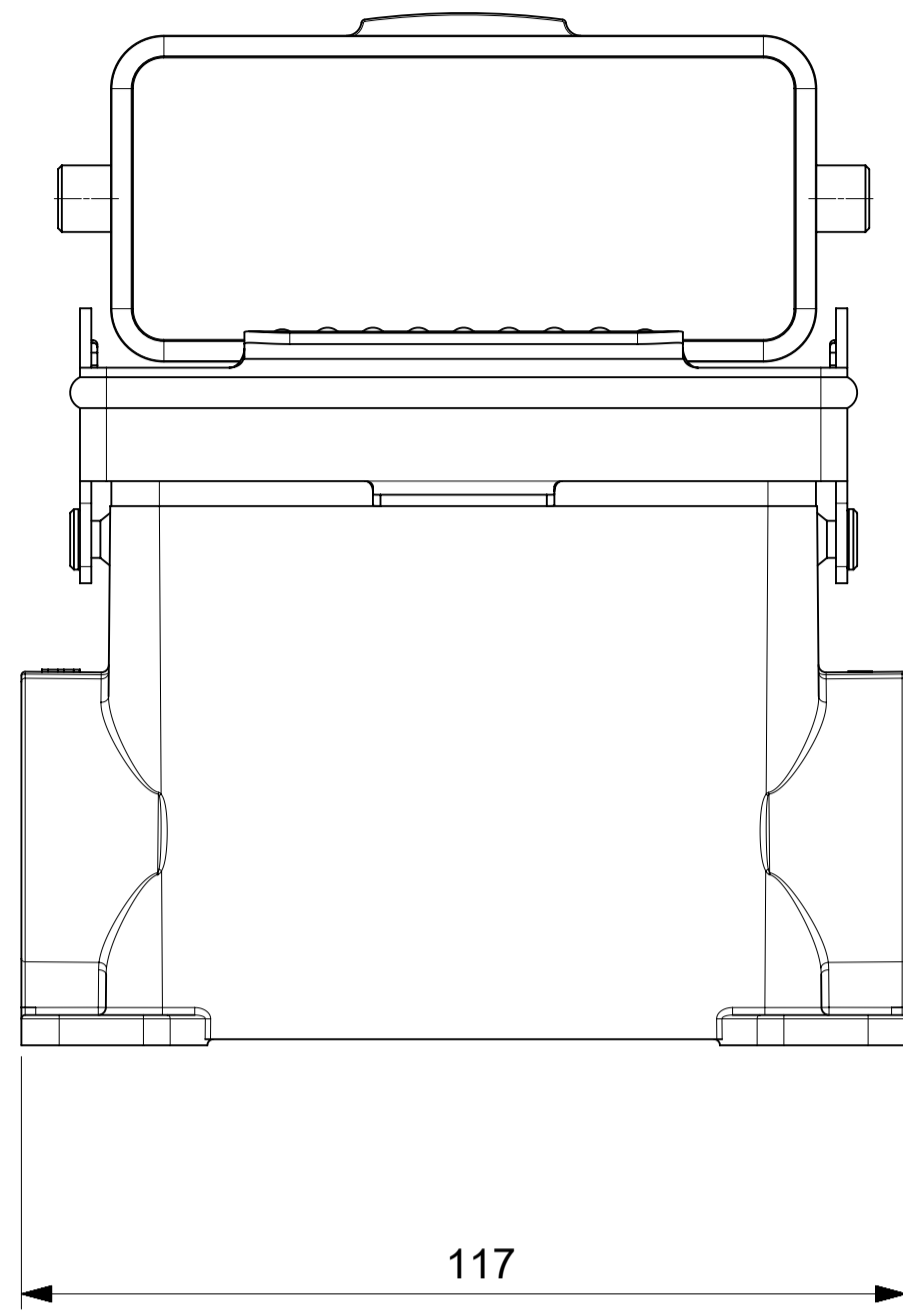
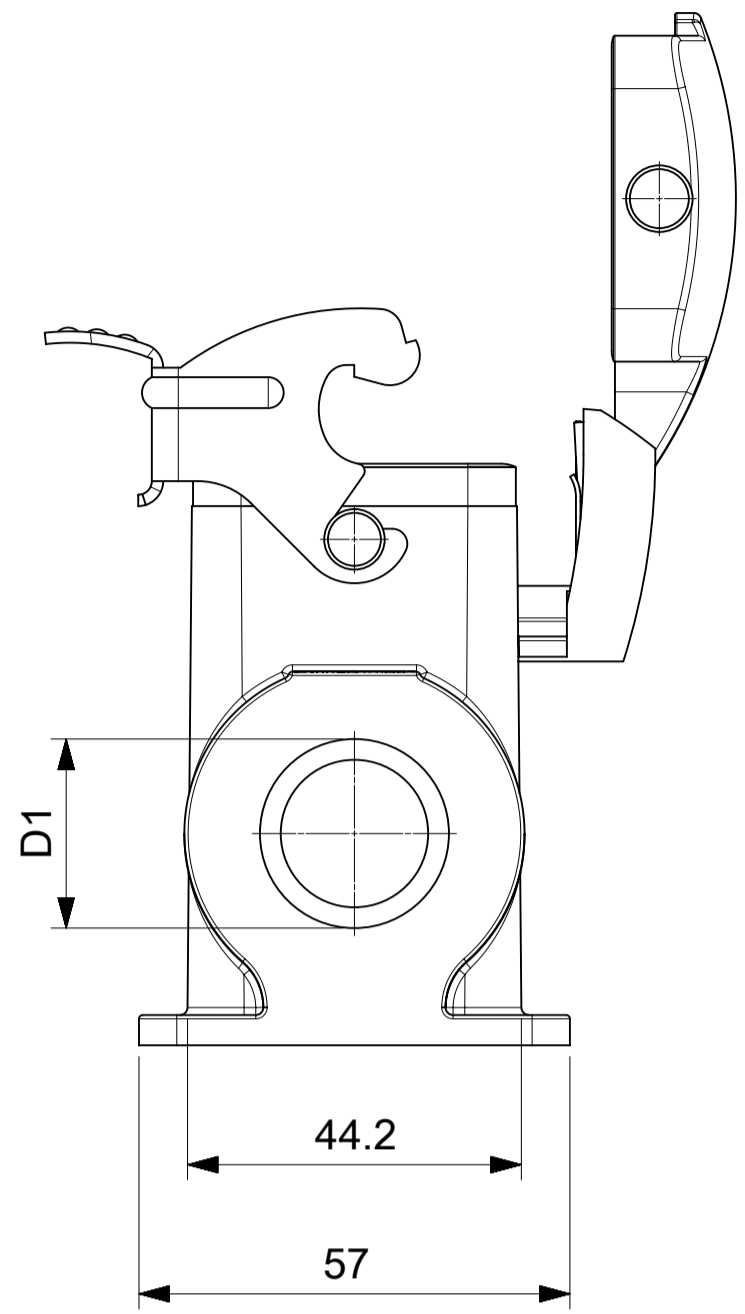
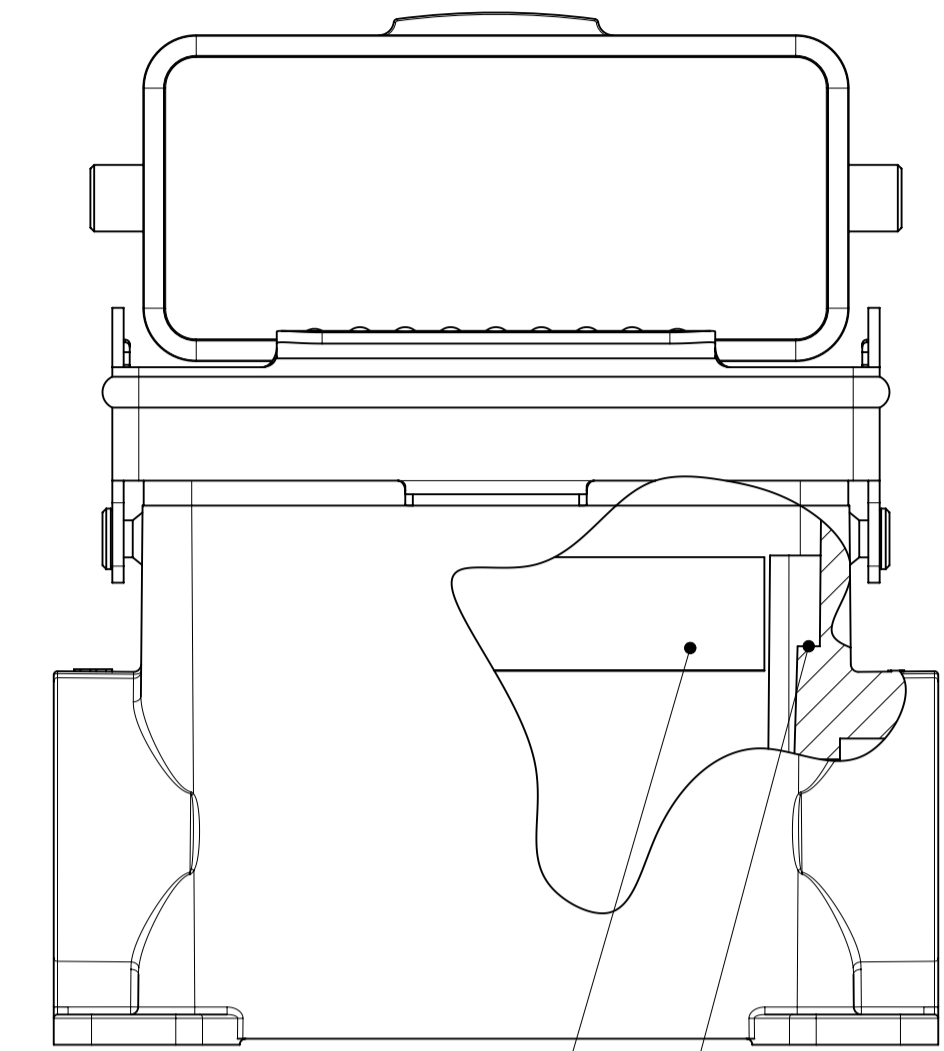


STANDARD VERSION

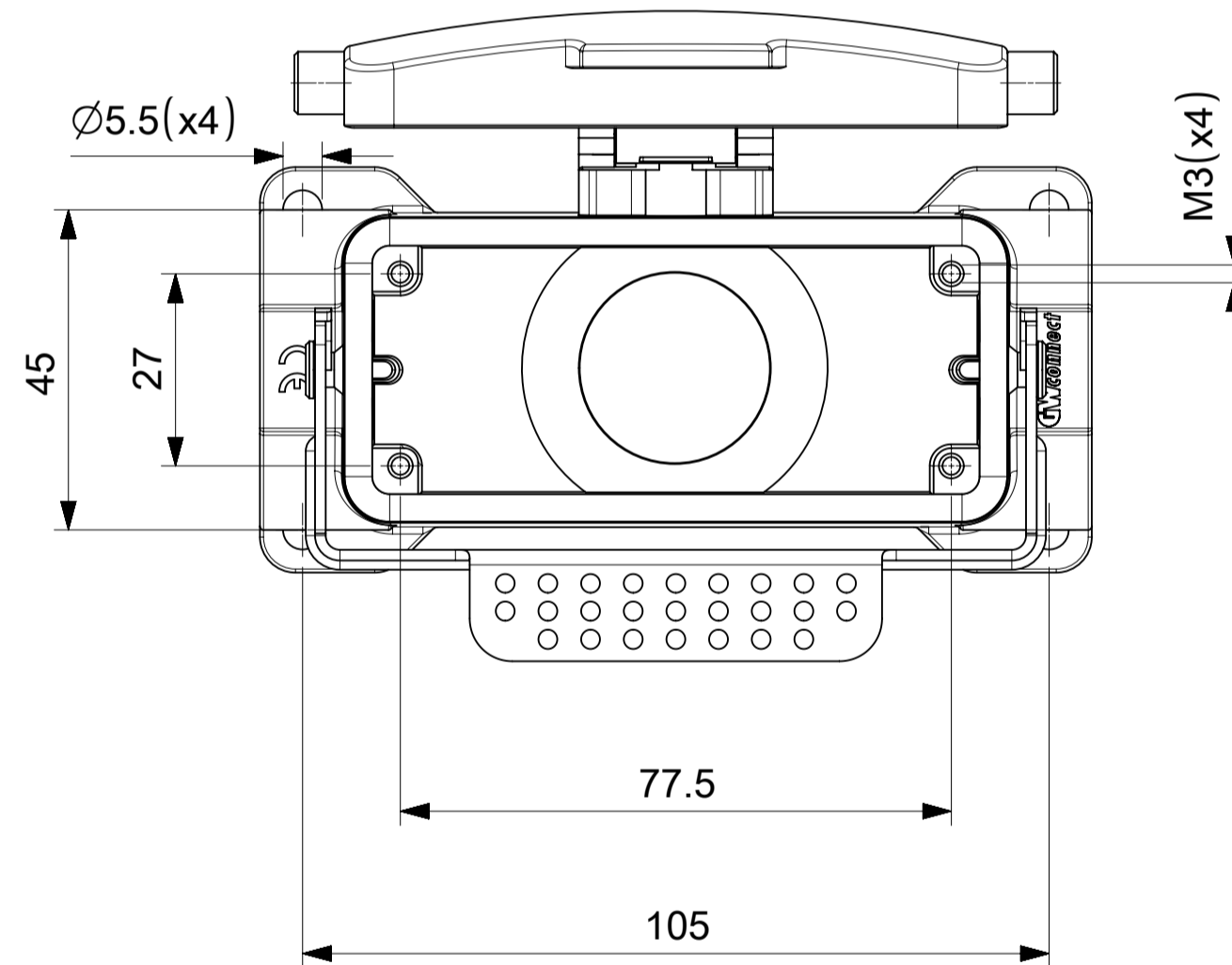
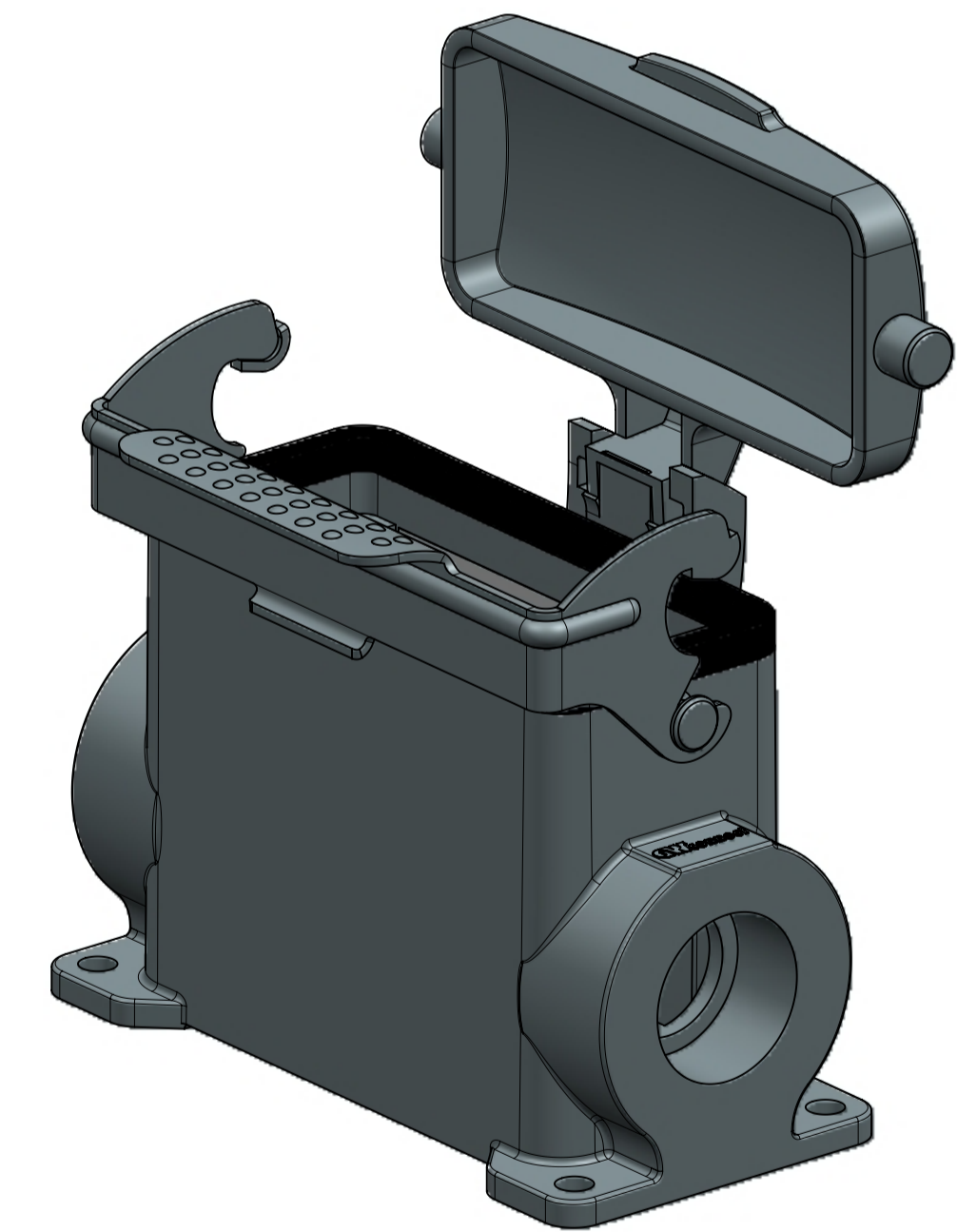


STANDARD HIGH VOLTAGE VERSION



INSULATING ADHESIVE TAPE
ON BOTH SIDES

SUITABLE FOR
HIGH VOLTAGE INSERTS



SAP.No.	Eng.No.	TYPE	D1	D2
936012996	7816.7282.0	STANDARD	M25	M25
936012999	7816.7283.0	STANDARD	M 32	-
936013001	7816.7284.0	STANDARD	M 32	M 32
936013004	7816.7285.0	STANDARD	M 40	-
936013006	7816.7286.0	STANDARD	M 40	M 40
936013009	7816.7287.0	STANDARD	Pg 21	-
936013011	7816.7288.0	STANDARD	Pg 21	Pg 21
936013014	7816.7289.0	STANDARD	Pg 29	-
936013016	7816.7290.0	STANDARD	Pg 29	Pg 29
936012998	7816.7282.2	STANDARD HIGH VOLTAGE	M25	M25
936013000	7816.7283.2	STANDARD HIGH VOLTAGE	M 32	-
936013003	7816.7284.2	STANDARD HIGH VOLTAGE	M 32	M 32
936013005	7816.7285.2	STANDARD HIGH VOLTAGE	M 40	-
936013008	7816.7286.2	STANDARD HIGH VOLTAGE	M 40	M 40
936013010	7816.7287.2	STANDARD HIGH VOLTAGE	Pg 21	-
936013013	7816.7288.2	STANDARD HIGH VOLTAGE	Pg 21	Pg 21
936013015	7816.7289.2	STANDARD HIGH VOLTAGE	Pg 29	-
936013018	7816.7290.2	STANDARD HIGH VOLTAGE	Pg 29	Pg 29

SYMBOLS ▽ = 0 ▽ = 0 ▽ = 0 ▽ = 0 ▽ = 0 ▽ = 0 ▽ = 0 ▽ = 0 ▽ = 0 ▽ = 0 ▽ = 0 ▽ = 0 ▽ = 0 ▽ = 0 ▽ = 0 ▽ = 0 ▽ = 0	THIS DRAWING CONTAINS INFORMATION THAT IS PROPRIETARY TO MOLEX ELECTRONIC TECHNOLOGIES, LLC AND SHOULD NOT BE USED WITHOUT WRITTEN PERMISSION DIMENSION UNITS mm SCALE 1:1	CURRENT REV DESC: EC NO: 177920 DRWN: AKHEMIRI 2018/06/06 CHK'D: DMERONI 2018/06/06 APPR: AMELZI 2018/06/12				
	GENERAL TOLERANCES (UNLESS SPECIFIED) ANGULAR TOL ± °	4 PLACES ± 3 PLACES ± 2 PLACES ± 1 PLACE ± 0 PLACES ±	INITIAL REVISION: DRWN: AKHEMIRI 2018/05/29 APPR: AMELZI 2018/06/12	16B STANDARD AND HIGH VOLTAGE SURFACE MOUNTING HOUSING WITH COVER 1 LEVER HIGH CONSTRUCTION PRODUCT CUSTOMER DRAWING		
	DRAFT WHERE APPLICABLE MUST REMAIN WITHIN DIMENSIONS	FIRST ANGLE PROJECTION	DRAWING SERIES A1-SIZE 93601	DOCUMENT NUMBER 936012998	DOC TYPE PSD	DOC PART 000
				CUSTOMER GENERAL MARKET	REVISION A	SHEET NUMBER 1 OF 1