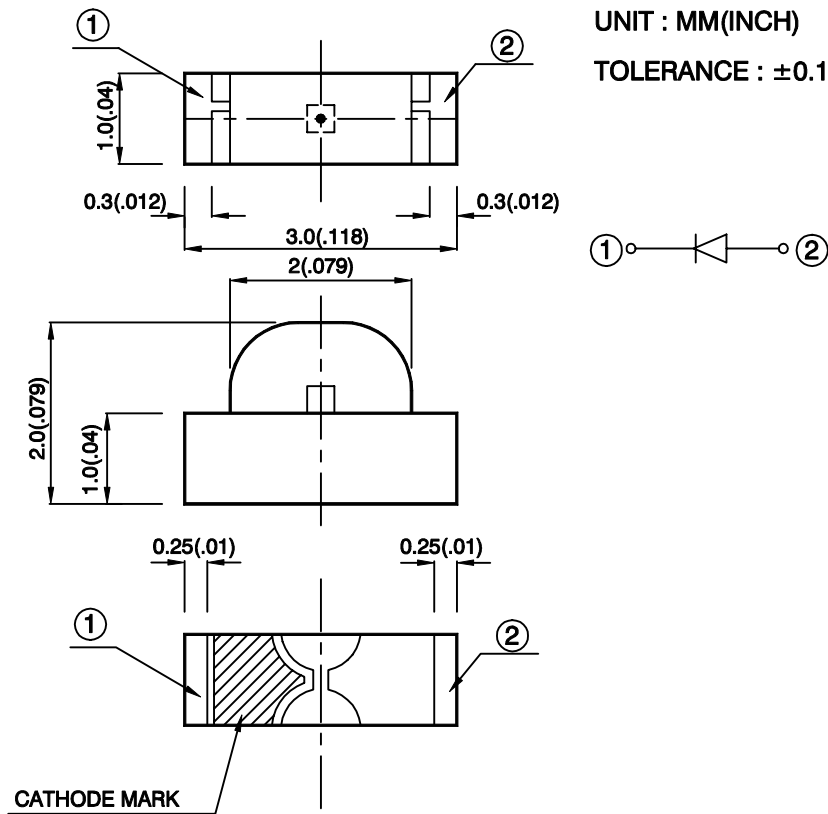


3.0X1.0mm RIGHT ANGLE SMD

KPA-3010



PART NO.	SOURCE (DICE)	LENS TYPE (RESIN)	LUMINOUS INTENSITY MCD @20mA		VIEWING ANGLE 2 @ 1/2
			MIN	TYP.	
KPA-3010HT	BRIGHT RED (GaP)	RED TRANSPARENT	0.8	1.25	120°
KPA-3010HC		WATER CLEAR	0.8	1.25	120°
KPA-3010YT	YELLOW (GaAsP/GaP)	YELLOW TRANS.	3.2	8	120°
KPA-3010YC		WATER CLEAR	3.2	8	120°
KPA-3010IT	RED HIGH EFFICIENCY (GaAsP/GaP)	RED TRANSPARENT	5	12.5	120°
KPA-3010EC		WATER CLEAR	5	12.5	120°
KPA-3010SGT	GREEN (GaP)	GREEN TRANSPARENT	3.2	12.5	120°
KPA-3010SGC		WATER CLEAR	3.2	12.5	120°

APPROVED:

CHECKED:

SCALE :

DATA NO. : E2746

10 : 1

DATE : AUG/12/98