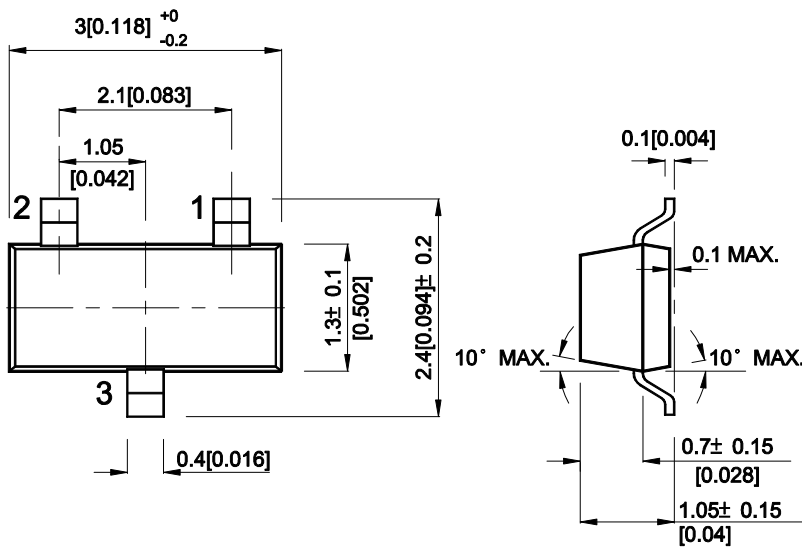


SOT 23 SURFACE MOUNT LED LAMP



1 ANODE
 2 N.C.
 3 CATHODE

UNIT : MM[INCH]
 TOLERANCE : ± 0.25[± 0.01] UNLESS OTHERWISE NOTED

Selection Guide

Part No.	Dice	Lens Type	Iv (mcd) @2mA		Viewing Angle
			Min.	Typ.	2θ 1/2
KM-23LSGD-F	SUPER BRIGHT GREEN(GaP)	GREEN DIFFUSED	0.2	0.4	140°

APPROVED: J.Lu	CHECKED: A.Ting	DRAWN : L.N. Sheu	SCALE : 10: 1	DATA NO. : G3922	V.1
				DATE:APR/21/2001	