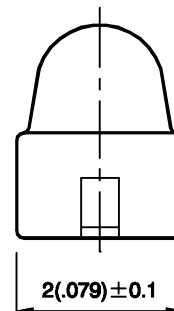
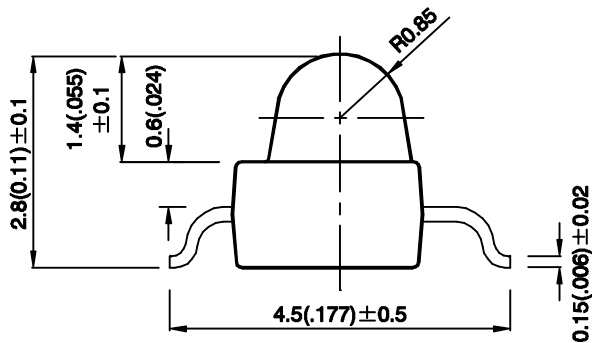
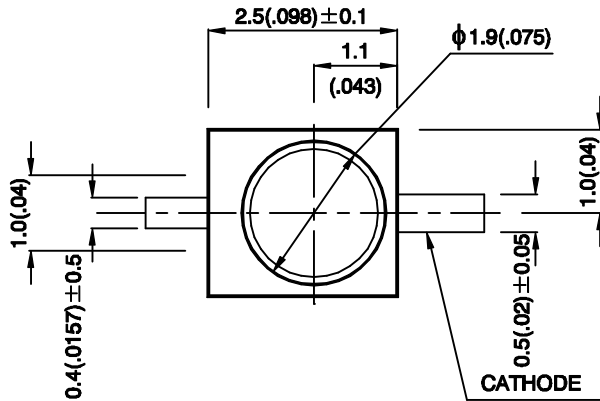


SUBMINIATURE SOLID STATE LAMPS

KM2520A01xxx003

UNIT : MM(INCH)

TOLERANCE :  $\pm 0.25(\pm 0.01)$



PART NO.	SOURCE (DICE)	LENS TYPE (RESIN)	LUMINOUS INTENSITY MCD @20mA		VIEWING ANGLE 2 $\Theta$ 1/2
			MIN.	MAX.	
KM2520A01MGC003	MEGA GREEN (GaP)	WATER CLEAR	400	700	30°

APPROVED:

CHECKED:

DRAWN :

*Sheu*

SCALE :

10 : 1

DATA NO. : E8409

DATE : JUN/09/1999