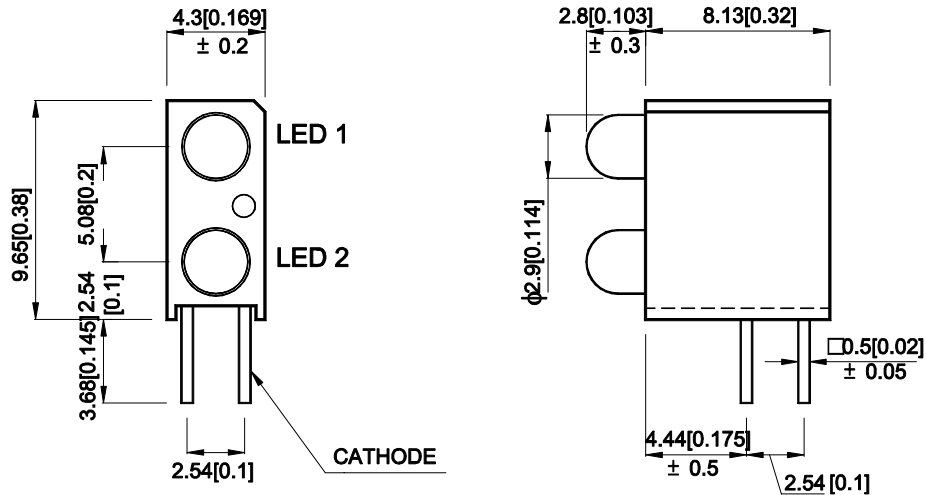


T-1 (3mm) ROUND RIGHT ANGLE INDICATOR

LED 1 : YELLOW

LED 2 : GREEN



UNIT : MM[INCH]

TOLERANCE : ± 0.25 [± 0.01] UNLESS OTHERWISE NOTED

Selection Guide

Part No.	Dice	Lens Type	Iv (mcd) @10mA		Viewing Angle
			Min.	Typ.	2 θ 1/2
L-934MD/1Y1GD	YELLOW (GaAsP/GaP)	YELLOW DIFFUSED	8	15	60°
	GREEN (GaP)	GREEN DIFFUSED	8	15	60°

APPROVED:

J. Chuang

CHECKED:

J. Chao

DRAWN :

L.N. Sheu

SCALE :

3 : 1

DATA NO. : F5065

V.1

DATE : APR/26/2000