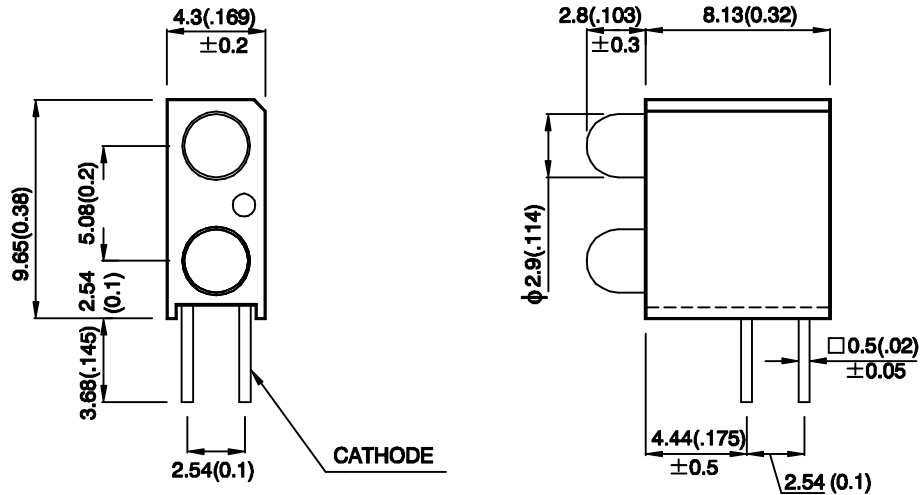


T-1 (3mm) ROUND RIGHT ANGLE INDICATOR

L-934MD/2

UNIT : MM(INCH)

TOLERANCE : $\pm 0.25(\pm 0.01)$



PART NO.	SOURCE (DICE)	LENS TYPE (RESIN)	LUMINOUS INTENSITY		VIEWING ANGLE
			MIN.	MAX.	
L-934MD/2GD	GREEN (GaP)	GREEN DIFFUSED	8	32	60°
L-934MD/2YD	YELLOW (GaAsP/GaP)	YELLOW DIFFUSED	8	32	60°
L-934MD/2ID	RED HIGH EFFICIENCY (GaAsP/GaP)	RED DIFFUSED	8	50	60°
L-934MD/2SRD	RED SUPER BRIGHT (GaAlAs)	RED DIFFUSED	* 100	300	60°

APPROVED:

CHECKED:

DRAWN :

SCALE :

DATA NO. : E4407

3 : 1

DATE : OCT/19/98