

6

5

4

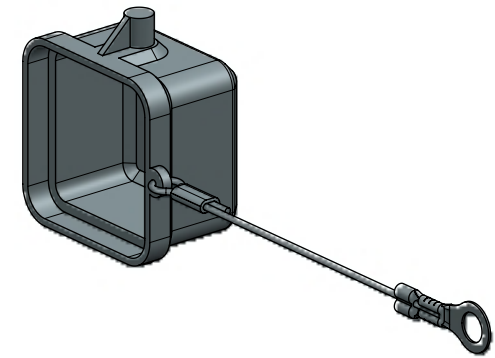
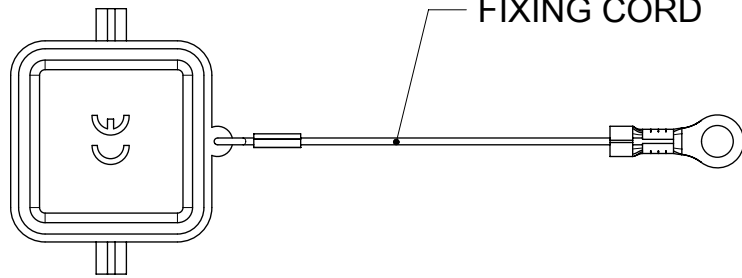
3

2

1

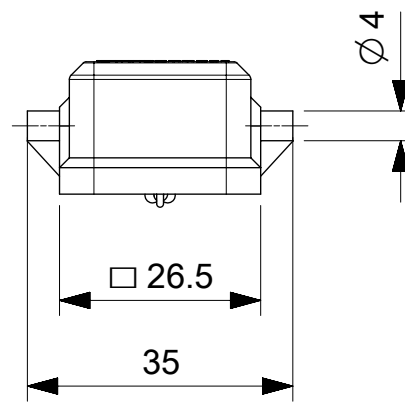
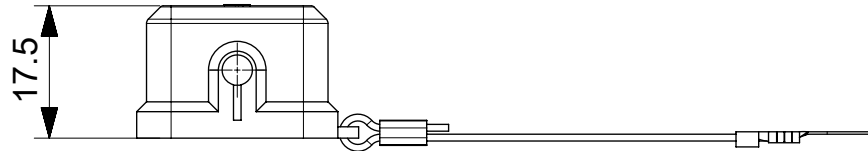
D

D



C

C



B

B

A

A

QUALITY SYMBOLS 	THIS DRAWING CONTAINS INFORMATION THAT IS PROPRIETARY TO MOLEX ELECTRONIC TECHNOLOGIES, LLC AND SHOULD NOT BE USED WITHOUT WRITTEN PERMISSION									
	EC NO: 173163 DRWN: AKHEMIRI CHK'D: AMELZI APPR: AMELZI	2018/03/06 2018/03/06 2018/03/06	GENERAL TOLERANCES (UNLESS SPECIFIED)		DIMENSION UNITS	SCALE				
			ANGULAR TOL ±		mm	1:1				
			4 PLACES ±		DRWN BY	DATE	7803.6803.0 3A STANDARD NYLON COVER FOR MALE INSERTS GREY			
			3 PLACES ±		AKHEMIRI	2017/11/30				
			2 PLACES ±		CHK'D BY	DATE	PRODUCT CUSTOMER DRAWING			
	1 PLACE ±		AKHEMIRI	2018/03/06						
	0 PLACES ±		AMELZI	2018/03/06	SERIES	MATERIAL NUMBER	CUSTOMER			
	DRAFT WHERE APPLICABLE MUST REMAIN WITHIN DIMENSIONS		DRAWING SIZE	FIRST ANGLE PROJECTION	93601	936010708	GENERAL MARKET			
			A4		DOCUMENT NUMBER		DOC TYPE	DOC PART	SHEET NUMBER	
				936010708		PSD	000	1 OF 1		

RELEASE STATUS	P1	RELEASE DATE	2018/03/06	16:24:26
----------------	----	--------------	------------	----------

6

5

4

3

2

1

F:\FORMAT: 18-prod-A4
 REVISION: G
 DATE: 2015/12/14