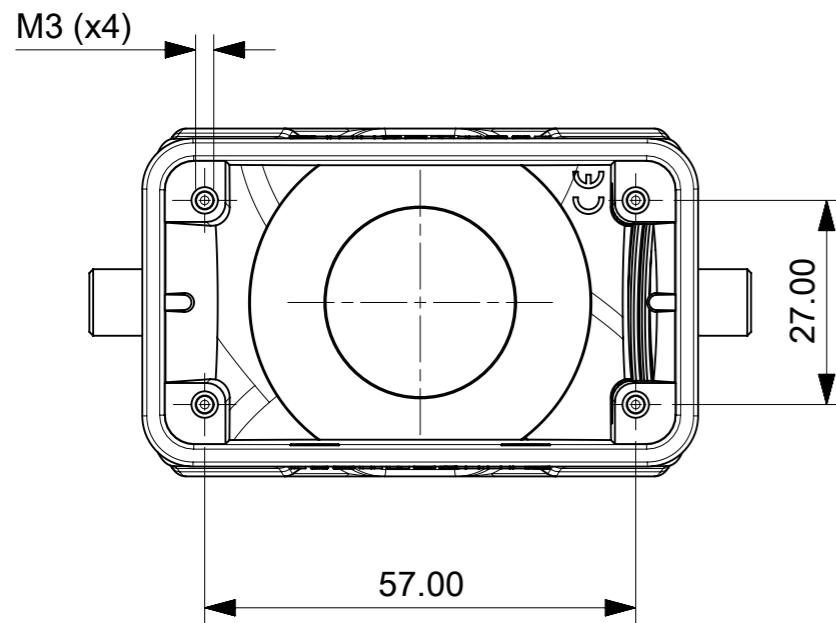
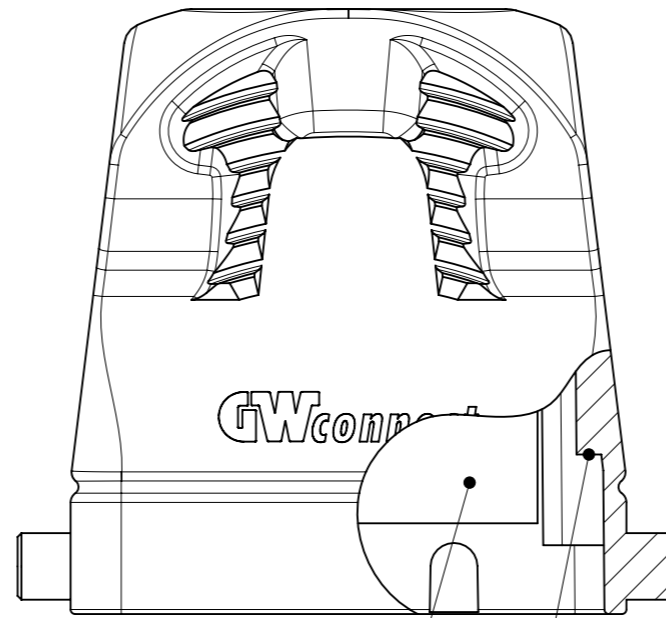


STANDARD VERSION



HIGH VOLTAGE VERSION



INSULATING ADHESIVE TAPE ON BOTH SIDES
SUITABLE FOR HIGH VOLTAGE INSERTS

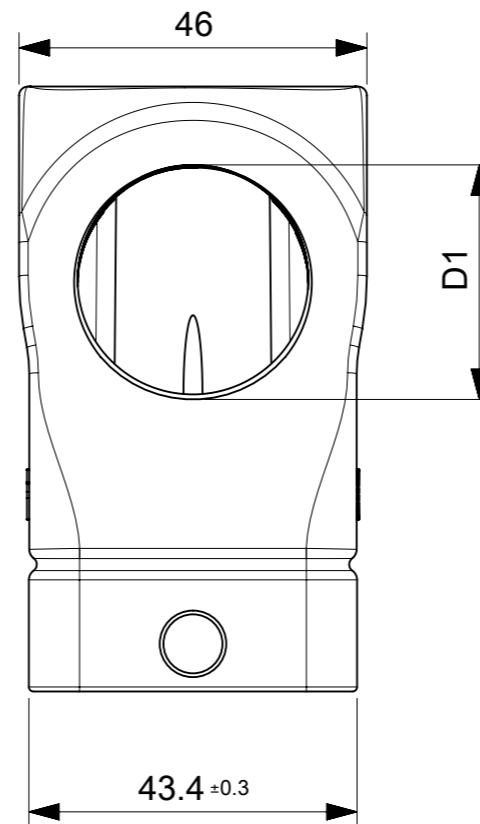
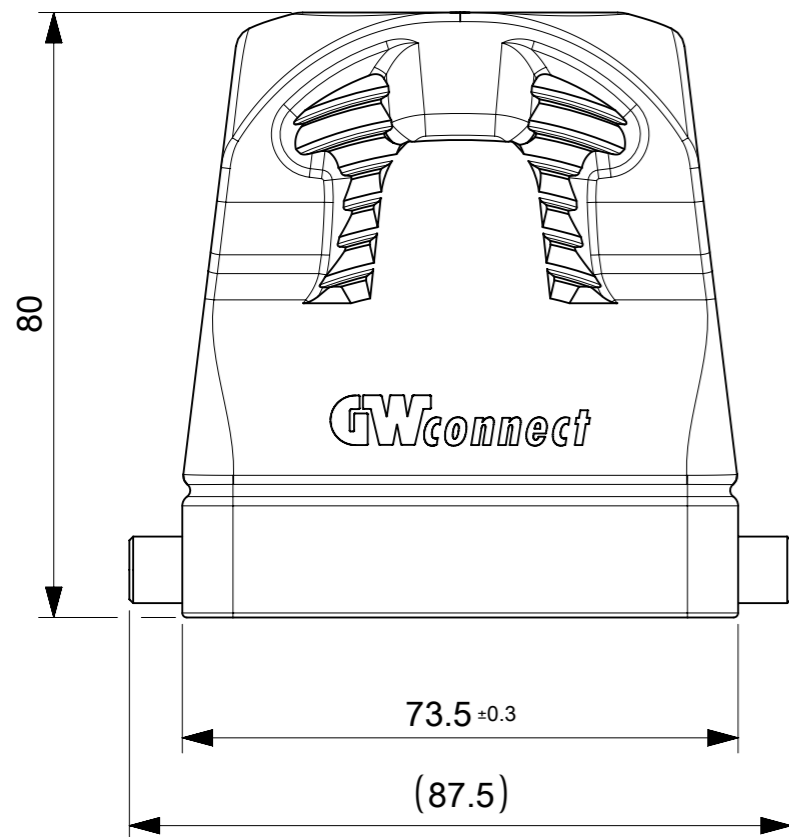


TABLE 1	PRODUCTS TABLE		
MATERIAL No.	Eng.No.	TYPE	D1
0936011703	7810.6493.5	STD	M32x1.5
0936011709	7810.6494.5		M40x1.5
0936011670	7810.6479.5		Pg21
0936011676	7810.6480.5		Pg29
0936011705	7810.6493.7	STD-HV	M32x1.5
0936011711	7810.6494.7		M40x1.5
0936011672	7810.6479.7		Pg21
0936011679	7810.6480.7	HE	Pg29
0936011704	7810.6493.6		M32x1.5
0936011710	7810.6494.6		M40x1.5
0936011671	7810.6479.6		Pg21
0936011678	7810.6480.6		Pg29

TABLE 2	PRODUCTS VERSION	
TYPE	DESCRIPTION	COLOR
STD	Standard version	Grey RAL 7037
STD-HV	Standard version for High Voltage inserts	
HE	Hars Enviromental version	Black RAL 9005

THIS DRAWING CONTAINS INFORMATION THAT IS PROPRIETARY TO MOLEX ELECTRONIC TECHNOLOGIES, LLC AND SHOULD NOT BE USED WITHOUT WRITTEN PERMISSION

DIMENSION UNITS	SCALE	CURRENT REV DESC:		molex			
mm	1:1						
GENERAL TOLERANCES (UNLESS SPECIFIED)		EC NO: 664703		10B HOOD 2 PEGS HIGH CONSTRUCTION SIDE ENTRY SERIES			
ANGULAR TOL	± 0.1°	DRWN: AKABADI	2021/05/20				
4 PLACES	±	CHK'D: DMERONI	2021/05/20	PRODUCT CUSTOMER DRAWING			
3 PLACES	±	APPR: MBIZZOZERO	2021/05/21				
2 PLACES	± 0.1	INITIAL REVISION:		DOCUMENT NUMBER			
1 PLACE	± 0.1	DRWN: AKABADI	2021/05/20	936011703		DOC TYPE	
0 PLACES	± 0.3	APPR: MBIZZOZERO	2021/05/21	PSD	000	REVISION	
DRAFT WHERE APPLICABLE MUST REMAIN WITHIN DIMENSIONS		FIRST ANGLE PROJECTION	DRAWING	SERIES	MATERIAL NUMBER	CUSTOMER	SHEET NUMBER
			A3-SIZE	93601	SEE TABLE 1	GENERAL MARKET	1 OF 1