

DRG. No. C 34852		SWITCH V4NS-UL	
SHEET OF SHEETS			
DRAWN P.S.T.	DATE 21/6/90	APPROVED	
TRACED	SCALE 4:1	DRAWING OFFICE	SALES DEPT. G. W.

DO NOT SCALE

# INSTALLATION DRAWING

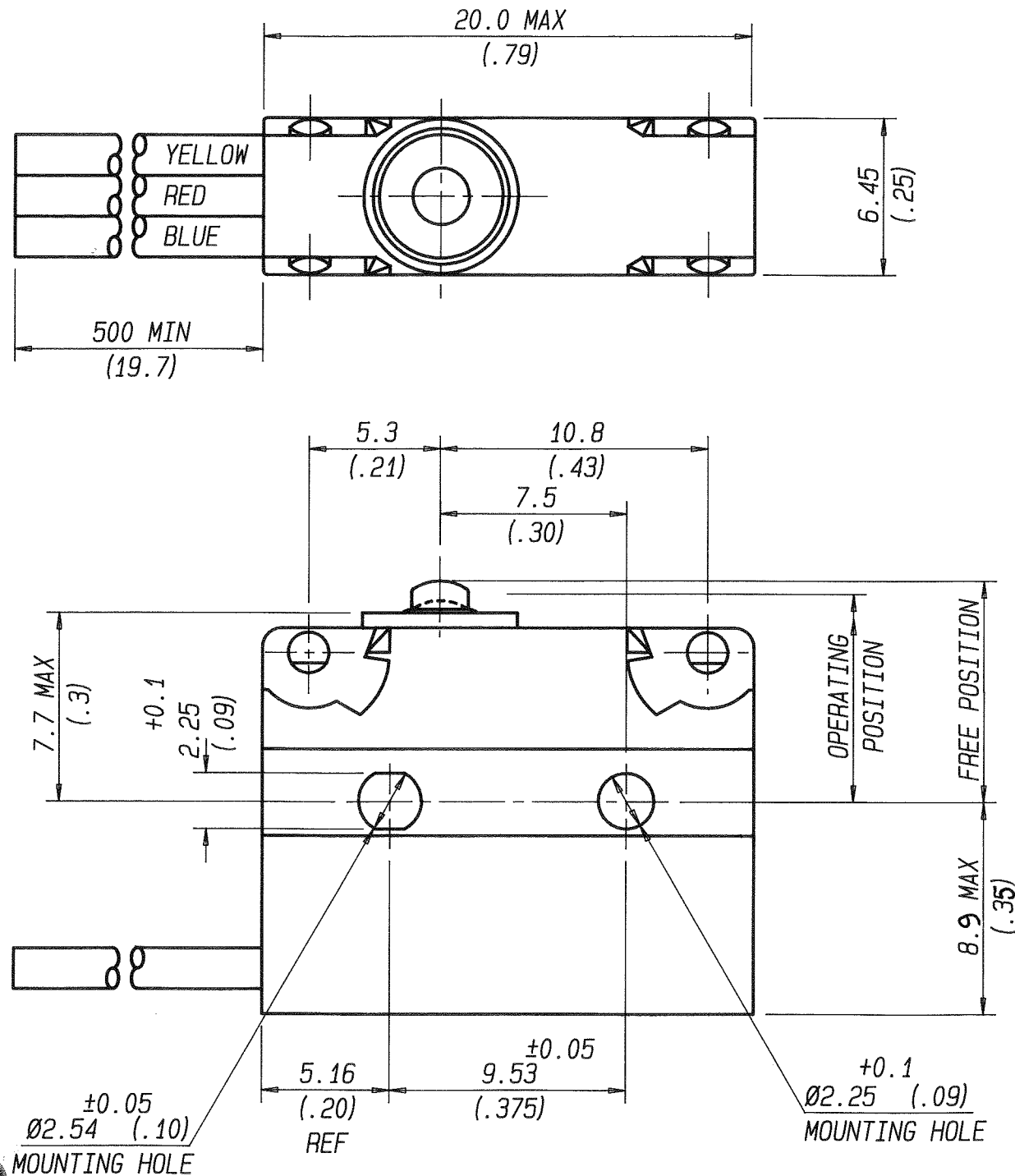
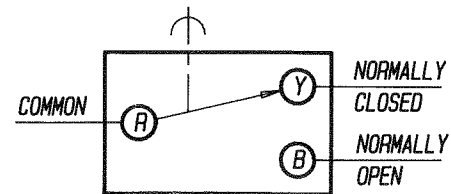
THIRD ANGLE PROJECTION

© THIS DRAWING IS THE PROPERTY OF BURGESS MICRO SWITCH CO. LTD. AND MUST NOT BE USED OR COPIED, ENTIRELY OR IN PART, WITHOUT THE PERMISSION OF BURGESS MICRO SWITCH CO. LTD.

### SPECIFICATION

ACTUATING FORCE: - 2.5N (9ozf) MAX.  
 RELEASE FORCE: - 0.3N (1ozf) MIN.  
 FREE POSITION: - 9.2 (.36) MAX.  
 OPERATING POSITION: - 8.4  $\pm 0.4$  (.33)  
 MOVEMENT DIFFERENTIAL: - 0.1 (.004) MAX.  
 OVERTRAVEL (AVAILABLE): - DEPRESS TO CASE  
 SPECIAL FEATURE :-  
 TESTED AND STAMPED TO U.L. AND C.S.A. REQUIREMENTS  
 APPROVAL RATING :-  
 3 AMP - 125 OR 250V.AC.

### DIAGRAM OF CONNECTIONS



BURGESS MICRO SWITCH COMPANY LTD.  
 DUKES WAY, TEAM VALLEY, GATESHEAD,  
 TYNE & WEAR NE11 0UB  
 Tel. 091 4877171 Telex: 53229 Fax: (3) 091 4871610

ISSUE No. & DATE	1	15.11.94			
	2				

THIS DRAWING MUST ONLY BE AMENDED ON CAD SYSTEM

ALL DIMENSIONS SPECIFIED IN MILLIMETRES.  
 TOLERANCES UNLESS STATED:- NO DECIMAL PLACE  $\pm 0.5$   
 1 DECIMAL PLACE  $\pm 0.25$  2 DECIMAL PLACES  $\pm 0.15$   
 ANGULAR  $\pm 1^\circ$  INCH-OUNCE UNITS (IN BRACKETS)

DEGREE OF PROTECTION:-  
 WEIGHT:-

SWITCH

V4NS-UL

DRG. No.

C 34852

SHEET OF SHEETS