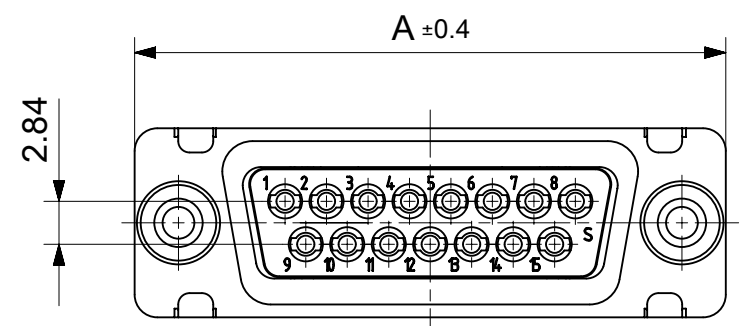
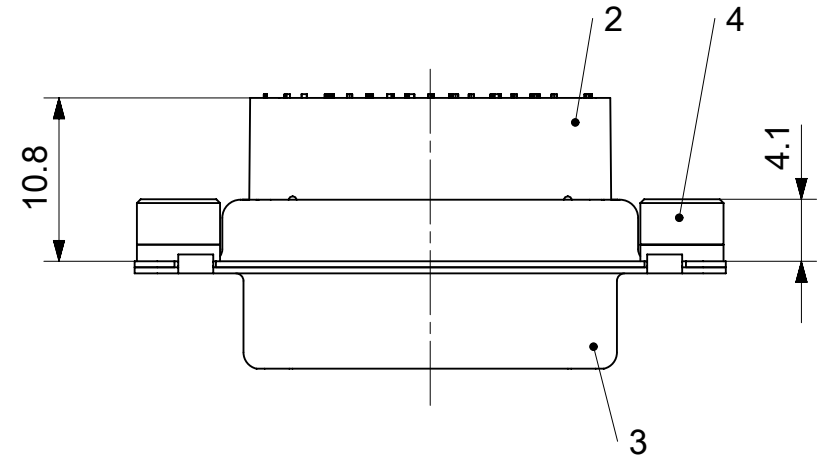
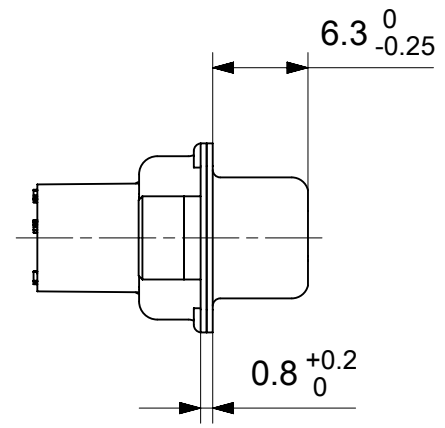
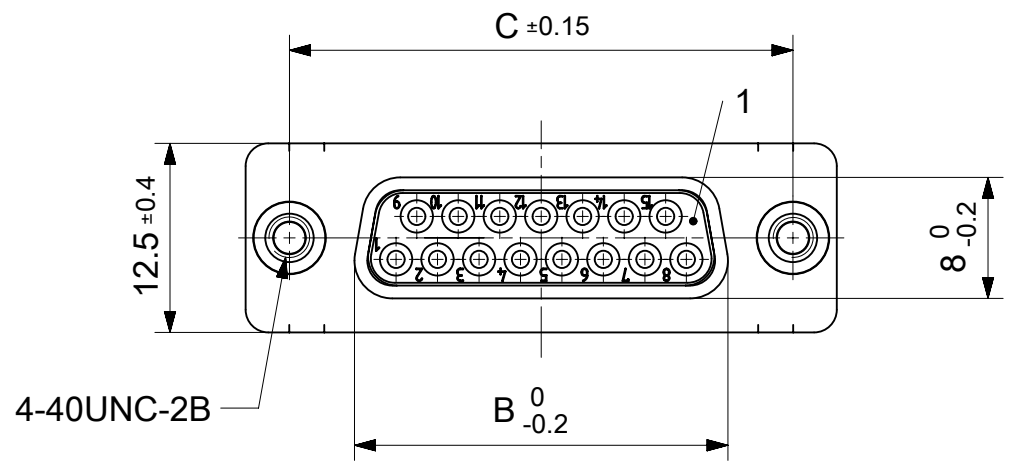


RoHS compliant  
by exemption



FCT Part number:  
**Fy\*1)TSxx\*2)S7-K121**  
 e.g. FLTS15S7-K121  
 \*1) y for series FL or FU  
 \*2) xx No. of contacts 09, 15, 25 or 37

| Material Number | y*1) | xx*2) | A[mm] | B[mm] | C[mm] |
|-----------------|------|-------|-------|-------|-------|
| 1731090574      | L    | 09    | 30.8  | 16.4  | 25    |
| -               | U    |       |       |       |       |
| 1731092172      | L    | 15    | 39.1  | 24.7  | 33.3  |
| 1731092445      | U    |       |       |       |       |
| 1731090573      | L    | 25    | 53    | 38.5  | 47.04 |
| 1731092446      | U    |       |       |       |       |
| 1731092174      | L    | 37    | 69.3  | 54.9  | 63.5  |
| -               | U    |       |       |       |       |

**Technical data for modification (FU)**  
 Crimp contacts FK20S (AWG 20-24/1.3µm Au) included in delivery.

| No. | Pc. | Part                     | Type Description/Material | Surface plating/Color/Class |
|-----|-----|--------------------------|---------------------------|-----------------------------|
| 4   | 2   | Clinch nut, self locking | FTS 4-40 / Steel          | tin plated                  |
| 3   | 1   | Shell                    | Steel                     | tin plated                  |
| 2   | 1   | Insulator rear part      | PEI (-55°C to +130°C)     | green                       |
| 1   | 1   | Insulator front part     | PBT acc. UL94V-0          | green                       |

**Technical data for modification (FL)**  
 Crimp contacts not supplied with connector. Contacts must be ordered separately.

| No. | Pc. | Part                     | Type Description/Material | Surface plating/Color/Class |
|-----|-----|--------------------------|---------------------------|-----------------------------|
| 4   | 2   | Clinch nut, self locking | FTS 4-40 / Steel          | tin plated                  |
| 3   | 1   | Shell                    | Steel                     | tin plated                  |
| 2   | 1   | Insulator rear part      | PA (-55°C to +115°C)      | black                       |
| 1   | 1   | Insulator front part     | PBT acc. UL94V-0          | black                       |

MEASUREMENTS WITHOUT TOLERANCE ACC TO ISO 2768-m

REPLACEMENT FOR DOCUMENT NUMBER: FyTSxxS7-K121

|  |   |   |
|--|---|---|
| FUNCTIONAL SYMBOLS                                   | THIS DRAWING CONTAINS INFORMATION THAT IS PROPRIETARY TO MOLEX ELECTRONIC TECHNOLOGIES, LLC AND SHOULD NOT BE USED WITHOUT WRITTEN PERMISSION | <br><b>FCT D-SUB CRIMP CONNECTOR</b>  |
| $\nabla_A = 0$<br>$\nabla_F = 0$<br>$\nabla_V = 0$   | DIMENSION UNITS: mm<br>SCALE: 2:1<br>GENERAL TOLERANCES (UNLESS SPECIFIED)<br>ANGULAR TOL ± °   |   |
| DIVISIONAL SYMBOLS                                   | EC NO: 717924<br>DRWN: SKANDB 2022/03/22<br>CHK'D: MTEUBEL 2022/08/18<br>APPR: MTEUBEL 2022/08/18   |   |
|  | INITIAL REVISION:<br>DRWN: SKANDB 2022/03/22<br>APPR: MTEUBEL 2022/08/18  |   |
| DRAFT WHERE APPLICABLE MUST REMAIN WITHIN DIMENSIONS |   | DOCUMENT NUMBER: <b>1731090574</b><br>DOC TYPE: PSD<br>DOC PART: 000<br>REVISION: A |

FIRST ANGLE PROJECTION

DRAWING: A3-SIZE

SERIES: 173109

MATERIAL NUMBER: SEE TABLE

CUSTOMER: GENERAL MARKET

SHEET NUMBER: 1 OF 1